

WX2 Warmer

Height: 2.6" Width: 14.0" Depth: 7.0"
(6.6cm) (35.6cm) (17.8cm)

•

Feature points are currently unavailable.



Agency:



Specifications

Product #: 06310.0004

Finish: Stainless

Additional Features

Holding Capacity

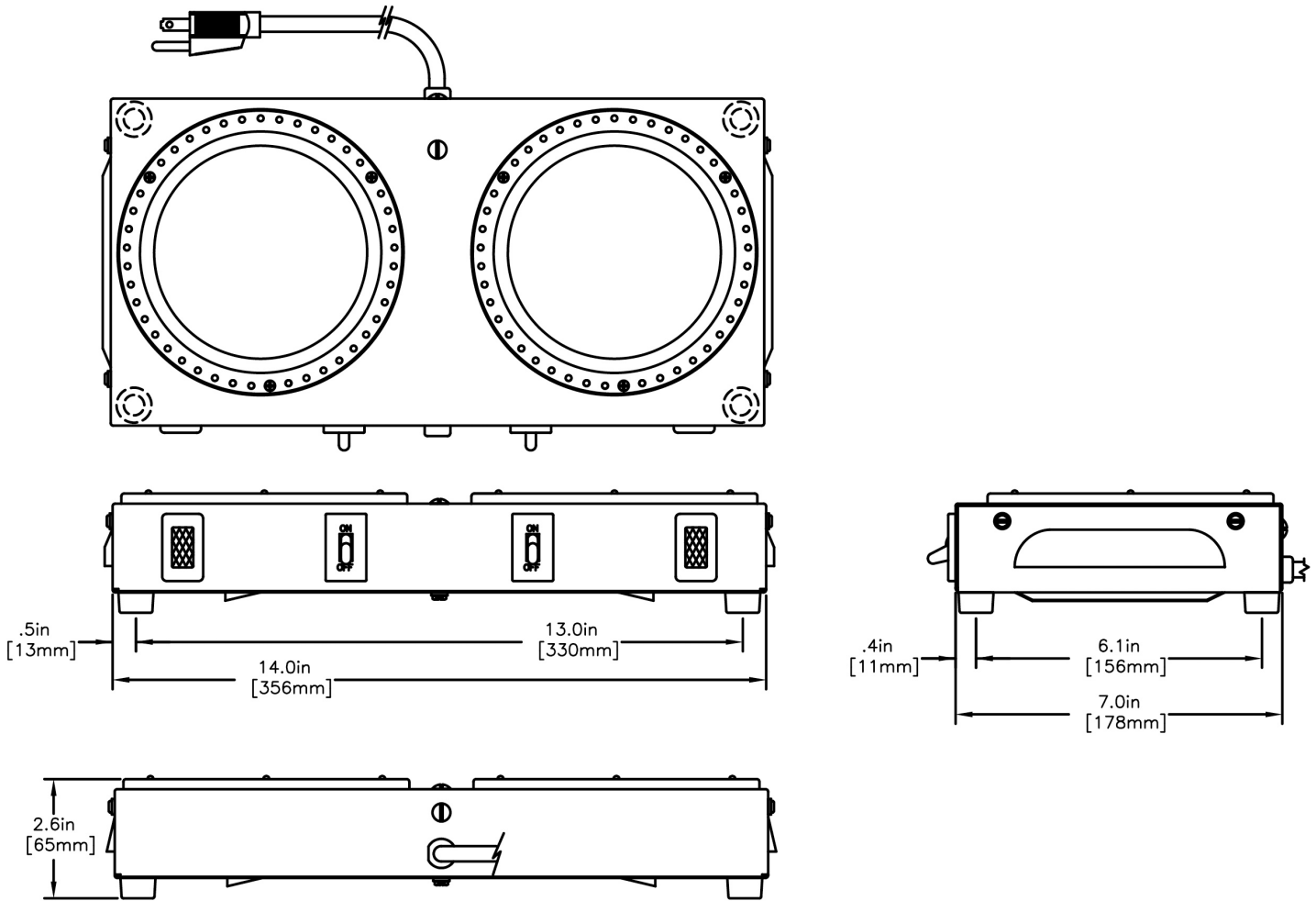
English	Metric
-	-

WARNING:



BUNN® reserves the right to change specifications and product design without notice. Such revisions do not entitle the buyer to corresponding changes, improvements, additions or replacements for previously purchased equipment. For most current specifications and other info visit bunn.com.

Last Updated:
03/25/2026



	Unit			Shipping				
	Height	Width	Depth	Height	Width	Depth	Weight	Volume
English	2.6 in.	14.0 in.	7.0 in.	10.0 in.	4.0 in.	15.6 in.	4.400 lbs	0.360 ft ³
Metric	6.6 cm	35.6 cm	17.8 cm	25.4 cm	10.2 cm	39.5 cm	1.996 kgs	0.010 m ³



BUNN® reserves the right to change specifications and product design without notice. Such revisions do not entitle the buyer to corresponding changes, improvements, additions or replacements for previously purchased equipment. For most current specifications and other info visit bunn.com.

Last Updated:
03/25/2026

Related Products & Accessories:WX2 Warmer(06310.0004)

Related Products selections are currently unavailable. Please contact your sales representative to find out more information.

¹NSF Certified ²NSF Certified with spec sheet model listed ³NSF Certified under Solventum Purification ⁴NSF Certified under Vivreau Ltd ⁵NSF Certified under Zojirushi ⁶NSF Certified under Qins Inc ⁷NSF COMPONENT Certified



BUNN® reserves the right to change specifications and product design without notice. Such revisions do not entitle the buyer to corresponding changes, improvements, additions or replacements for previously purchased equipment. For most current specifications and other info visit bunn.com.

Last Updated:
03/25/2026

Model Compatibility: WX2 Warmer(06310.0004)

Serving and Holding selections are currently unavailable. Please contact your sales representative to find out more information.

¹NSF Certified ²NSF Certified with spec sheet model listed ³NSF Certified under Solventum Purification ⁴NSF Certified under Vivreau Ltd ⁵NSF Certified under Zojirushi ⁶NSF Certified under Qins Inc ⁷NSF COMPONENT Certified



BUNN® reserves the right to change specifications and product design without notice. Such revisions do not entitle the buyer to corresponding changes, improvements, additions or replacements for previously purchased equipment. For most current specifications and other info visit bunn.com.

Last Updated:
03/25/2026