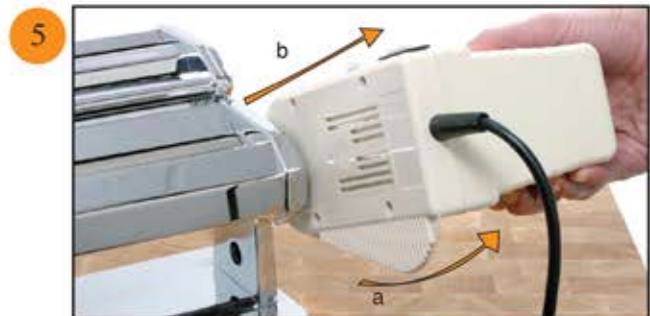
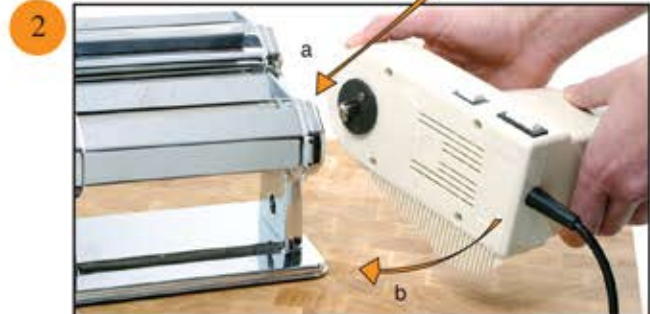




Pasta Machine Motor

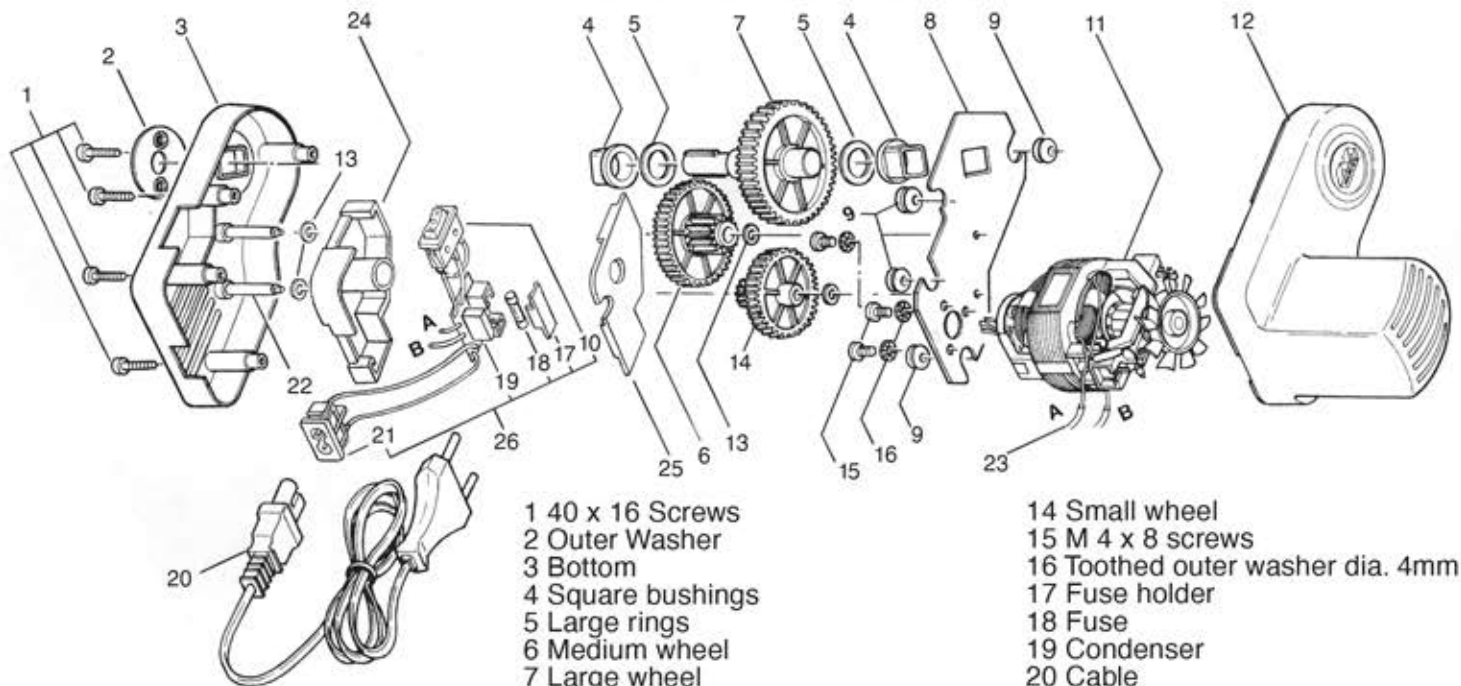
Instructions for use and maintenance.



NORPRO®

Pasta Machine Motor # 1047

• FOR HOUSEHOLD USE ONLY



- | | |
|-------------------------------|----------------------------------|
| 1 40 x 16 Screws | 14 Small wheel |
| 2 Outer Washer | 15 M 4 x 8 screws |
| 3 Bottom | 16 Toothed outer washer dia. 4mm |
| 4 Square bushings | 17 Fuse holder |
| 5 Large rings | 18 Fuse |
| 6 Medium wheel | 19 Condenser |
| 7 Large wheel | 20 Cable |
| 8 Plate | 21 Plug |
| 9 Grommets for reduction gear | 22 Gear pins |
| 10 Switch | 23 Sheath |
| 11 Motor | 24 Box |
| 12 Cover | 25 Box cover |
| 13 Small rings | 26 Electric circuit |

• THIS PART OF MANUAL IS RESERVED FOR SPECIALIZED PERSONNEL

PRECAUTIONS AND SUGGESTIONS FOR YOUR SAFETY

- For use with Norpro #1049 Pasta Machine.
- Always unplug before starting to clean the machine and the motor.
- Do not unplug with wet or even slightly damp hands.
- Do not wash the machine, especially when it is plugged in.
- Do not allow children younger than 14 years old to use the machine.
- Do not leave the machine unsupervised, especially when it is plugged in.
- Always unplug the machine before removing the motor.
- Do not use the machine near sources of heat or water, (e.g. oven rings, sinks).
- Use this machine only for the purposes described in this manual.
- Do not insert knives or cloths in between the rollers.

HOW TO INSTALL THE 1047 MOTOR ONTO NORPRO 1049 PASTA MACHINES

We recommend that the pasta machine always be fixed to the table with the special clamp (Fig. 1, back page). When using the machine for the first time, clean it with a dry cloth to remove any excess oil. To clean the rollers, pass a small quantity of dough through them and then throw the dough away. When working with the motorized machine do not wear ties, scarves, or long chains; tie up long hair with a clip and do not let children near the machine.

To install the motor on the smooth rollers, hold it facing upwards at an angle of 30° and bring it close to the machine, and keeping the pos. II (impulses) button pressed down, insert the pin into the roller hole (Fig. 2). Release the button and push the motor until it rests on the machine. Turn the motor downwards at an angle of 30° so that it hooks onto the holes on the side. Start the motor by setting the switch to position I (continuous) - (Fig. 3 and 4). To detach the motor from the machine, turn the motor upwards by approximately 30° and pull it outwards (Fig. 5). Note 1 - If the rollers won't "cut", this means the dough is too soft: in this case you should pass the dough through the smooth rollers, after adding some flour to the mixture. Note 2 - When the dough is too dry and cannot be "caught" by the cutting rollers, add a little water to the mixture and pass it once again through the smooth rollers.

MAINTENANCE OF THE MACHINE

- Unplug before cleaning the motor and before any maintenance operations!
- Always remove the motor before cleaning the machine (and use the handle to turn the rollers).
- Never wash the machine with water or in the dishwasher!
- Use a soft cloth to clean the motor after use.
- Any repairs which need to be made to the electrical parts must be carried out by trained personnel.