

# STREET VENDOR™ POPCORN MACHINES

## INSTALLATION AND OPERATING INSTRUCTION MANUAL



For California Customers

**WARNING:** Cancer and Reproductive Harm - [www.P65Warnings.ca.gov](http://www.P65Warnings.ca.gov)

Model	Voltage	Frequency	Power	Amperage	Plug Type	Overall Dimensions			Weight
						Width	Depth	Height	
11040	120V	60Hz	1040W	8.6A	NEMA 5-15P	21-1/8" (538mm)	17-1/4" (438mm)	33-5/8" (853mm)	62 lbs (28.1kg)
11060			1240W	10.3A					64 lbs (29kg)
11080			1490W	12.4A					66 lbs (30kg)

### BEFORE OPERATING ANY EQUIPMENT, READ AND FAMILIARIZE YOURSELF WITH THESE USE AND SAFETY INSTRUCTIONS

*Congratulations on your purchase of this BenchmarkUSA™ commercial equipment. When used as intended, and with proper care and maintenance, you are sure to experience years of reliable operation from this equipment. To ensure best results, it is important that you read and follow the instructions in this manual carefully. It is important to keep these instructions in a safe place for future reference.*

## Important For Future Reference

Please complete this information and retain this manual for the life of the equipment. For Warranty Service and/or parts, this information is required.

\_\_\_\_\_

**Model Number**

\_\_\_\_\_

**Serial Number**

\_\_\_\_\_

**Date Purchased**



**WARNING: IMPROPER INSTALLATION, ADJUSTMENT, ALTERATION, SERVICE OR MAINTENANCE CAN CAUSE PROPERTY DAMAGE, INJURY, OR DEATH. READ THE INSTALLATION, OPERATION, AND MAINTENANCE INSTRUCTIONS THOROUGHLY BEFORE INSTALLING OR SERVICING THIS EQUIPMENT.**



**CAUTION: THESE MODELS ARE DESIGNED, BUILT, AND SOLD FOR COMMERCIAL USE ONLY. IF THESE MODELS ARE POSITIONED SO THE GENERAL PUBLIC CAN USE THE EQUIPMENT, MAKE SURE THAT CAUTION SIGNS, WARNINGS, AND OPERATING INSTRUCTIONS ARE CLEARLY POSTED NEAR EACH UNIT SO THAT ANYONE USING THE EQUIPMENT WILL USE IT CORRECTLY AND NOT INJURE THEMSELVES OR HARM THE EQUIPMENT.**



**WARNING: A FACTORY AUTHORIZED SERVICE PROVIDER SHOULD HANDLE ALL MAINTENANCE AND REPAIR. BEFORE DOING ANY MAINTENANCE OR REPAIR, FOLLOW SERVICE SET UP ARRANGEMENT ON [WWW.WINCOUS.COM](http://WWW.WINCOUS.COM).**

## Introduction

Congratulations on the purchase of your BenchmarkUSA™ Equipment. Please take time to carefully read through this manual to ensure the machine is operated and maintained properly, to ensure the best possible performance from the product for many years.

BenchmarkUSA™ will not accept liability for the following if:

- The instructions in this manual have not been followed correctly.
- Non-authorized personnel have tampered with the machine.
- Non-original spare parts are used.
- The machine has not been handled and cleaned correctly.
- There is any use damage to the unit.

### ***Immediately Inspect for Shipping Damage***

All containers should be examined for damage before and during unloading. The freight carrier has assumed responsibility for its safe transit and delivery. If equipment is received damaged, either apparent or concealed, a claim must be made with the delivering carrier.

- A. Apparent damage or loss must be noted on the freight bill at the time of delivery. It must then be signed by the carrier representative (Driver). If this is not done, the carrier may refuse the claim. The carrier can supply the necessary forms.
- B. If concealed damage or loss is not apparent until after equipment is uncrated, a request for inspection must be made to the carrier within 15 days. The carrier should arrange an inspection. Be certain to keep all contents and packaging material.

## Table of Contents

---

Specifications .....	1
Warnings .....	2
Introduction .....	2
Packaging .....	3
Installation .....	4
Safety Precautions .....	5
Operation .....	5
Cleaning, Care & Maintenance .....	6
Troubleshooting .....	7
Service & Repair .....	7
Exploded View .....	8
Spare Parts List .....	9
Electrical Diagram .....	9

## Package Contents

---

All units come with the following:

- BenchmarkUSA™ Street Vendor Popcorn Machine

BenchmarkUSA™ prides itself on quality and service, ensuring that at the time of packing, all products are supplied fully functional and free of damage. Should you find any damage as a result of freight, please contact your BenchmarkUSA dealer immediately.

## Unpacking the Equipment

---

### **DISPOSE OF ALL PACKAGING MATERIALS IN AN ENVIRONMENTALLY RESPONSIBLE MANNER.**

1. Remove all packing materials and tape, as well as any protective plastic and cardboard, from the unit.
2. Clean any glue residue left over from the plastic or tape.
3. Place the unit in the desired position and height.

## Function and Purpose

---

This unit is intended to be used in commercial food-service operations only. It is not intended for household, industrial or laboratory use.

*Installation and start-up must be performed by a qualified installer who has thoroughly read, understands and follows these instructions.*

*Please keep this manual in a safe place for future use!*

## **NOTE**

---


*Please remember that this manual and the warning labels do not replace the need to be alert, to properly train and supervise operators, and to use common sense when using this equipment.*

## Installation


These instructions should be followed at all times. Failure to follow these instructions could result in injury to yourself and others.

**WHEN USING ELECTRICAL APPLIANCES, BASIC SAFETY PRECAUTIONS AND COMMON SENSE SHOULD BE FOLLOWED, INCLUDING BUT NOT LIMITED TO THE FOLLOWING:**

1. Read this manual thoroughly before installation and operation. DO NOT proceed with installation and operation if you have any questions or do not understand anything in this manual. Contact your representative or the manufacturer first.
2. DO NOT touch any surfaces that may be hot.
3. Unplug from outlet when not in use prior to installing or removing parts and before cleaning. Allow for the device to cool first before handling.
4. To protect against the risk of electrical shock, do not immerse the appliance, cord or plug in water, or other liquids.

	<b>▲ WARNING ▲</b> <b>Electrical Shock Hazard</b>
	Keep water and other liquids from entering the inside of the unit. Liquid inside the unit could cause an electrical shock. Do not spray water or cleaning products. Liquid could contact the electrical components and cause a short circuit or an electrical shock. Do not use unit if power cord is damaged or has been modified.

5. DO NOT operate this device or any other electrical equipment with a damaged cord or plug, or after the unit malfunctions, is dropped or damaged in any manner. Return to the nearest WINCO Authorized Service Center for examination, repair and/or adjustment.
6. The use of accessory attachments not recommended by WINCO may cause fire, electric shock or injury.
7. Not intended for outdoor installation.
8. DO NOT let the cord hang over the edge of a table or counter, or touch hot surfaces.
9. DO NOT place on or near a hot gas or electric burner, or in a heated oven.

	<b>▲ WARNING ▲</b> <b>Fire Hazard</b>
	Correct installation precautions, procedures and regulations must be followed. Operation and safety training is necessary for all users of this equipment.

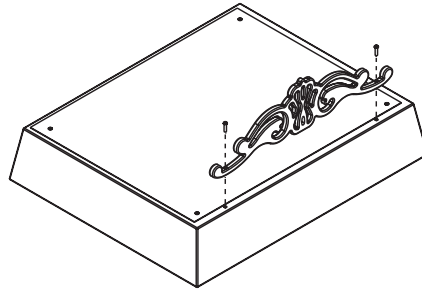
10. This appliance should always be on a stable and steady countertop or table. Allow sufficient space around the cooking area. Never use the unit on/near low-heat-resistant materials (carpet, vinyl).
11. This appliance is not intended for use by individuals (including children) with reduced or impaired physical, sensory or mental capabilities, or lack of experience or knowledge, unless they have been given proper supervision or instruction concerning the use of this appliance by a person responsible for their safety.
12. Clean the heated popping kettle with caution – if a wet sponge or cloth is used to wipe spills on a hot cooking surface, exercise caution to avoid steam burns. NOTE: some cleaners may produce noxious flames when applied to a hot surface.
13. Do not place metal objects such as knives, forks or spoons, in the heated popcorn kettle as they can break the motor, get hot and/or cause injury.
14. Do not store any item on top of this unit when in operation.
15. Never place materials such as paper, cardboard, plastic, etc. on or under this unit.
16. If an extension cord power-supply is used,
  - a. The marked electrical rating of the extension cord should be rated the same or greater than the electrical rating of the unit.
  - b. The cord should be located so that it will not drape over the countertop or tabletop where it can not be damaged or moved unintentionally.

## Installation

### INSTALLATION OF THE CORNICE

1. Attach the cornice to the canopy with screws.

*Cornice can be facing front or rear of the unit by removing screws under the top cover, rotating the top cover, and reinstalling screws.*



## Safety Precautions

**Before installing and operating this equipment be sure everyone involved in its operation are fully trained and aware of all precautions. Accidents and problems can result from a failure to follow fundamental safety precautions.**

- A WINCO® Approved Recommended Qualified Service Technician should carry out repairs if necessary. Do not remove any components or service panels on this product.
- Allow the unit to cool down after use before dismantling for cleaning; **the unit will be too hot to handle immediately after use.**
- Before cleaning, switch off power and disconnect power cord from the outlet.
- **Do not immerse unit in water or use hose to clean.**
- If the power cord is damaged, it must be replaced by a WINCO® Approved Recommended Qualified Service Technician in order to avoid a hazard.

## Operation



### Proper Grounding

**USE A GROUNDED OUTLET  
DO NOT ADD AN ADAPTOR TO THE PLUG**

This machine is provided with a three-pronged grounding plug. The outlet to which this plug is connected must be properly grounded. If the receptacle is not the proper grounding type, contact an electrician. DO NOT, under any circumstances, cut or remove the third ground prong from the power cord or use any adapter plug.

1. Plug the power cord into a properly grounded 120 volt power supply.
2. Make sure the kettle is installed in its upright and locked position, and there are no obstructions in the kettle.
3. Turn on the “MASTER” switch and the interior light will come on.
4. Turn on the “KETTLE” switch to heat the kettle and engage stirring motor. Allow kettle to preheat for 5 to 6 minutes.
5. Lift kettle lid and pour in kernels, oil, and seasonings.

**⚠ WARNING ⚠ DO NOT add butter in kettle at any time while heating or when popcorn is popping.  
If using butter, it should only be applied AFTER all kernels have popped and popcorn is removed from kettle.**

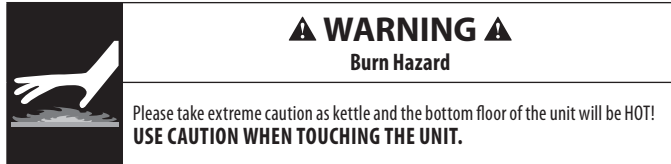
6. Close the lid to prevent uncooked kernels and hot oil from ejecting out of the kettle.
7. Popcorn will start popping, overflowing out of the kettle into the tray below.
8. Once popping has stopped, open the lid and turn kettle to dump out remaining popcorn (there may be some un-popped kernels).
9. For additional batches repeat steps 5 through 8. It will not be necessary to wait 5 to 6 minutes since the kettle is already up to operating temperature.
10. Turn off switches when not in operation in order to maintain efficiency.

**NOTE: Power switch to the kettle must be turned off when machine is not in use, to prevent damage to the kettle assembly.**

## Cleaning, Care & Maintenance

*To maintain the appearance and increase the service life, this equipment must be cleaned and dried thoroughly. Clean all surfaces before use. Failure to clean surfaces before using the unit could cause food contamination.*

*The unit may require more frequent cleaning, depending on the volume of production.*



### **KETTLE CLEANING, CARE AND MAINTENANCE**

**CAUTION: THE KETTLE IS REMOVABLE FROM THIS UNIT, BUT IT IS NOT INTENDED TO BE WASHED IN THE DISHWASHER OR IMMERSSED IN WATER. IT WILL SHORT OUT THE ELECTRONIC COMPONENTS INSIDE AND VOID THE WARRANTY!**

1. After popping the final batch, turn off the switches and unplug the unit, and let unit cool down before cleaning.
2. Always turn off the “KETTLE” switch after popping the final batch of a session. Leaving it on will burn any residue oil that is left in the kettle.
3. For routine cleaning: After popping the final batch of a session, use a damp cloth with warm, soapy water to wipe the excess oil from the interior and exterior of the kettle.
4. After cleaning, ensure that the kettle is plugged in correctly when reinstalling for proper operation.

### **CABINET CLEANING, CARE AND MAINTENANCE**

1. After popping the final batch, turn off the switches and unplug the unit, and let unit cool down before cleaning.
2. Remove excess kernels and debris by wiping toward the crumb tray openings. After the inside has been wiped clean, remove the crumb tray and discard debris. It is recommended to clean the crumb tray prior to reinserting it into the unit.
3. The bottom tray and drop door are removable for easy cleaning in a sink. Use a mild detergent and water.
4. The interior of the popcorn maker should be cleaned after each use with a cloth and warm, soapy water.
5. The exterior of the unit may be cleaned by carefully wiping with a damp cloth. Use a standard glass cleaner for the glass panels and corner posts.
6. Clean off controls from any oil or debris using a damp cloth with warm soapy water. (Ensure that the controls are dry before use).

**DO NOT immerse the device completely in water for any reason.**

**DO NOT use a pressure washer to clean.**

**NOTE: Proper cleaning instructions must be followed; otherwise, operation of the unit may be seriously impaired. Do not wash parts in an automatic dishwasher.**

WINCO® authorized service personnel must perform any other servicing.

## Troubleshooting

If your BenchmarkUSA™ Commercial Equipment does not operate, please check the following before placing a service call:

ISSUE	MIGHT BE CAUSED BY	RECOMMENDED SOLUTION
The unit is not turning on.	Power supply	Check power supply cord is correctly plugged in and outlet is working
	Power switch is off	Check that the unit is plugged in and turned on
	Plug/cord or external wiring damage	Remove and replace - <b>Replacement must be done by an authorized Internal wiring fault service provider.</b>
	Internal faulty wiring	
The switch light is on, mixer is running, but kettle is not heating up	Kettle may not be plugged in internally	Check that the flexible cable from the kettle is plugged into the receptacle on ceiling of internal cabinet
	Internal faulty wiring	Check connections going from the power switch to the kettle outlet - <b>Replacement must be done by an authorized Internal wiring fault service provider.</b>
	Internal kettle component failure	Remove kettle from cabinet and plug directly into a power outlet and check for heat.
Kettle mixer not turning	Motor/power switch not on	Ensure that you have clearly read the manual, to understand the operating functions
	Mixing shaft is locked or bent, causing the motor to stop spinning	Check that there is nothing obstructing the kettle mixer from rotating
	Faulty power switch	Remove and replace - <b>Replacement must be done by an authorized Internal wiring fault service provider.</b>
	Internal faulty wiring	Check connections between the motor and turn switch - <b>Replacement must be done by an authorized Internal wiring fault service provider.</b>
Internal light is not on	Light switch is in off position	Make sure the light switch is turned on
	Light bulb has burnt out	Replace bulb with same style light bulb
	Faulty socket	Inspect socket for any obstructions. Remove and replace as needed.
	Faulty power switch	Remove and replace - <b>Replacement must be done by an authorized Internal wiring fault service provider.</b>
	Internal wiring fault	Call WINCO to make service arrangements through their service provider network

## Service and Repair

THIS EQUIPMENT MUST ONLY BE SERVICED BY AN AUTHORIZED AGENT.

### NOTE

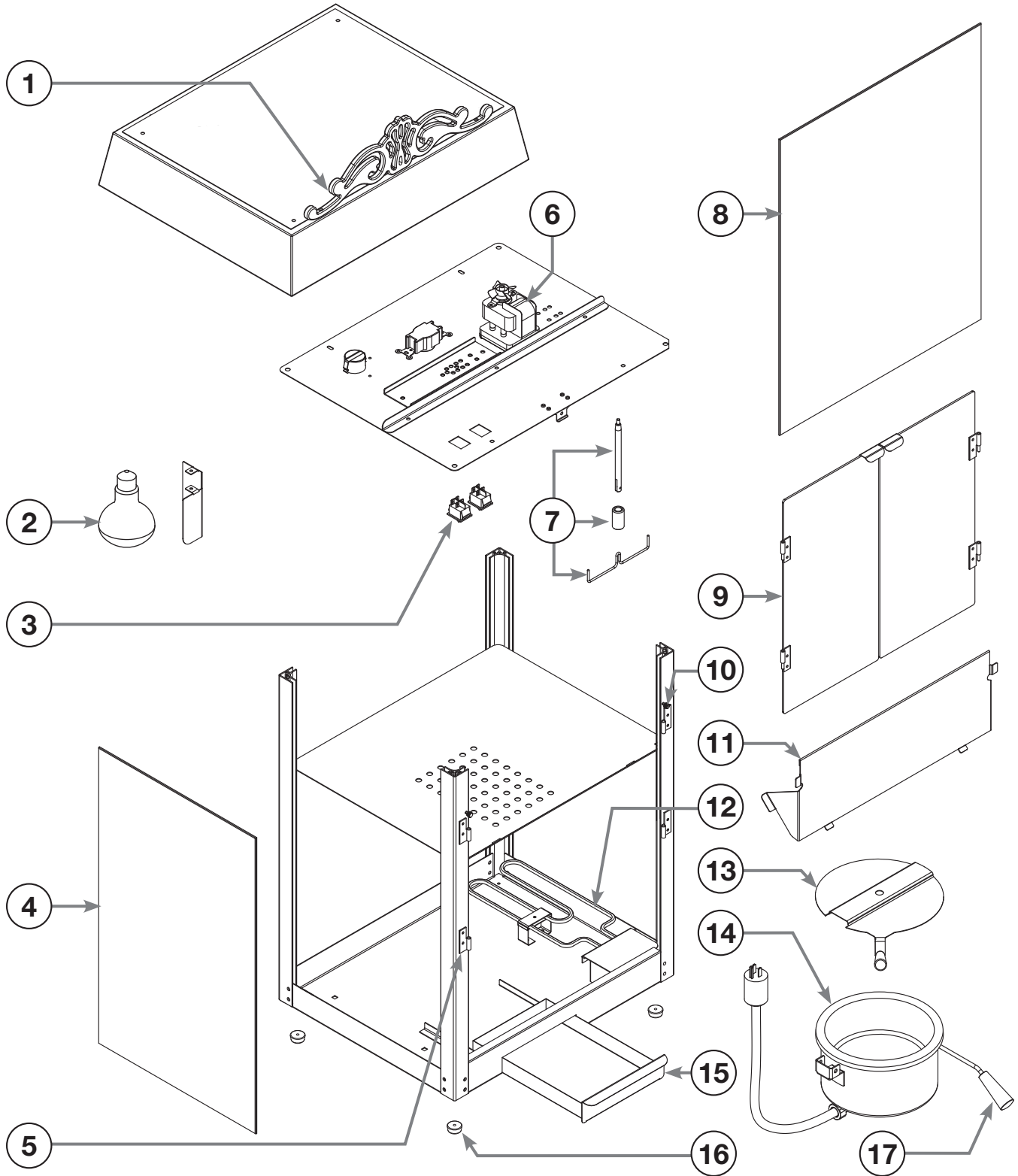
**Parts protected by the manufacturer or its agent are not to be adjusted by the installer unless the installer is an authorized service agent.**

If you have any questions or problems DO NOT send unit to WINCO® without first contacting our customer service department.

See "Limited Warranty" section on [www.winco.us.com](http://www.winco.us.com) for details.

## Exploded View

Models: 11040, 11060, and 11080

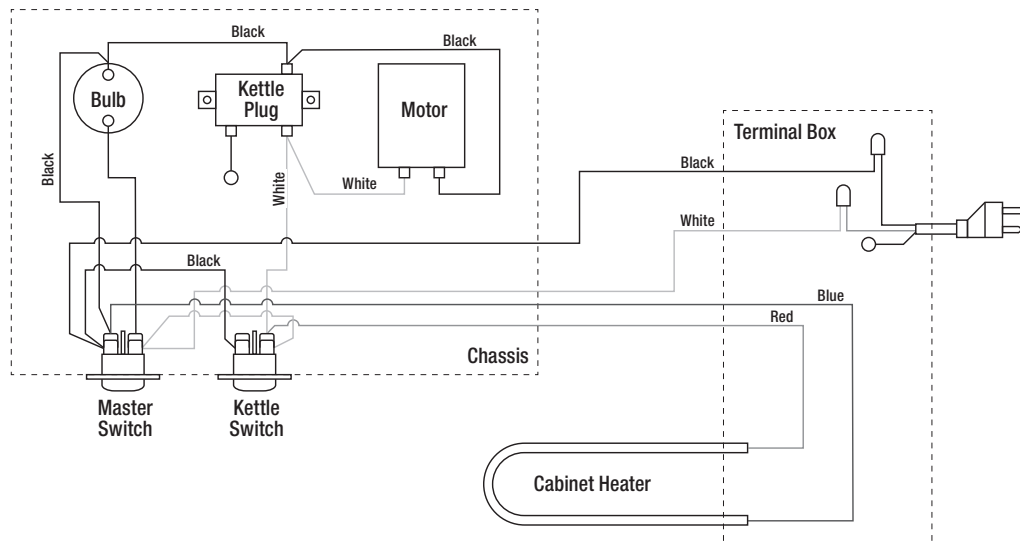


## Parts List

No.	Description	11040	11060	11080
		Part #		
1	Cornice - Street Vendor	4005		
2	45 Watt R20 Bulb	POP8-P7		
3	Power Switch	2001		
4	Side Glass	4001		
5	Door Hinge Set	4020		
6	120 Gear Motor	2018		
7	Mixer Assembly	5014	5016	5018
8	Front Glass	4002		
9	Door Set (Left & Right Plexi Doors / Handles / Hinges)	4010		
10	Thumb Screw (1 pc)	5028		
11	Stainless Drop Door	4008		
12	100 Watt Cabinet Heater	1011		
13	Kettle Lid	5004	5006	5008
14	Kettle Assembly ( Kettle & Handle Assembly)	0014	0016	0018
15	Kernal Drawer	4006		
16	Rubber Foot (1 pc)	1234		
17	Handle Assembly (Handle/Spring/Release Tab)	5021		

*Please contact factory for special order parts not listed.*

## Electrical Circuit Diagram





**BENCH** **USA**<sup>™</sup>  
**MARK** ★

A **winco**® BRAND

Models: 11040, 11060, and 11080

[www.wincous.com](http://www.wincous.com)