

ALFA

INTERNATIONAL

CATALOG
2017/2018
With List Prices

Specialty Foodservice Parts &
Equipment Since 1938



www.alfaco.com

PRODUCT INDEX

TAB 01	GRATER-SHREDDER (GS-12)	2	
POWER ATTACHMENTS	VEGETABLE SLICER (VS-12)	3	
	SHREDDER PLATES	3	
	GS-12, VS-12 PARTS	4	
	MEAT GRINDER	5	
	PASTA EXTRUDER	6-7	
	MEAT TENDERIZER	7	
	FAJITA SHREDDER	7	
	POWER BASE	71	
	GRINDER PLATES & KNIVES	72-74	
	TAB 02	BOWLS FOR HOBART CLASSIC	10
MIXERS	AGITATORS FOR HOBART CLASSIC	11-12	
	BOWL DOLLIES & ADAPTERS	12	
	SAFETY CAGES FOR HOBART CLASSIC	13	
	BOWLS & AGITATORS FOR HOBART LEGACY	14	
	BOWLS & AGITATORS FOR GLOBE	15	
	ELECTRIC BOWL LIFTER	16	
	PRECISION COMMERCIAL MIXERS	17	
	KITCHENAID STAND MIXERS	18-19	
	KITCHENAID IMMERSION MIXERS	19	
	KITCHENAID BARTOP BLENDERS	19	
	KITCHENAID AGITATORS & BOWLS	18-20	
	PARTS FOR HOBART CLASSIC	21-30	
	TAB 03	MEAT SLICER BLADES/KNIVES	33-35
	SLICERS	SAFETY COVERS	35
		SLICER STONES	36
		CLEANING TOOL	36
		PARTS FOR BIZERBA	37-39
PARTS FOR BERKEL		40-48	
PARTS FOR GLOBE		49-60	
PARTS FOR HOBART		61-68	
TAB 04		GRINDER POWER ATTACHMENTS	5
MEAT GRINDERS	AMERICAN EAGLE AEMG-12	70	
	MC5 ELECTRIC MEAT GRINDER	70	
	MC-12, MC-22 & MC-32	71	
	CHOPPER PLATES & KNIVES	72-74	
	SIZE CHART FOR PLATES & KNIVES	75	
	ACCESSORIES & COMPONENTS	76	
	STUFFING TUBES & STOMPERS	76	
	S/S HAND FOOD GRINDERS	84	
	SAUSAGE STUFFERS	108	
	HAMBURG PATTY MAKERS	114-115	
	TAB 05	PASTA MACHINES	86-87
	ELECTRIC EQUIPMENT	FAMA HARD CHEESE GRATERS	87
VACUUM-SEALERS & BAGS		88-90	
VACUUM-SEALER PARTS		92-93	
HEAT SEAL MACHINES		94-95	
HEAT SEAL PARTS		96	
(Continued Above)			

Electric Eq. (Con't)

TAB 06

MANUAL EQUIPMENT

TAB 07

BANDSAWS

TAB 08

MISCELLANEOUS PARTS

TAB 09

PACKINGHOUSE

NEW!

TAB 10 - FAQs & SCHEMATICS

TAB 11 - LIST PRICES

ELECTRIC MEAT GRINDERS	97
SLUSHY/GRANITA MACHINES	98-100
ELMECO ICE CREAM MACHINE	99
ELECTRONIC SCALES	102-103
FOOD WARMERS	104
HEATSEAL HOT PLATES	104
SOUP WARMERS	105
KNIFE SHARPENERS	106
SAUSAGE STUFFERS	108
NSF-APPROVED MAN. TOOLS	109
CHEESE CUTTERS & PARTS	110-111
S/S HAND MEAT SAWS	111
MANUAL KNIFE SHARPENERS	112
SAFETY GLOVES	113
HAMBURGER PATTY MAKERS	114-115
FRENCH FRY CUTTER / WEDGER	115
CAN OPENERS & PARTS	116
MANDOLIN VEGETABLE SLICER	116
SAFESLICER	117
GRILL AND GRIDDLE SCRAPER	117
LID-OFF PAIL & BUCKET OPENER	117
HAND TOOLS	118-119
FOOD MACHINE LUBRICANTS	120-121
S/S HAND MEAT GRINDERS	84
BANDSAW BLADES	125
REFERENCE GUIDE	126
PARTS FOR HOBART	127-132
PARTS FOR BIRO	133-137
PARTS FOR BUTCHER BOY	137-138
S/S HAND MEAT SAWS	111
OLIVER BREAD SLICER	141
JAC BREAD SLICER	142
BERKEL BREAD SLICER	142-143
HOBART CUTTER/MIXERS	144-145
VERTICAL CUTTER/MIXERS	146
ROBOT COUPE BLADES	147
FOOD PROCESSOR PLATES FOR HOBART	147
HICKORY ROTISSERIES	148
BERKEL TENDERIZERS	149
HOBART TENDERIZERS	149
BIRO TENDERIZERS	150
HOLLYMATIC PATTY MAKER	151-153
SCHERMER BOLT STUNNERS	157
STUNNER POWER LOADS	157
SCHERMER STUNNER PARTS	158-159
ELECTRIC STUNNERS	160
KAWE ELECTRIC ANIMAL PROD	160
WASH DOWN SPRAYS & PARTS	161
STUNNER ACCESSORIES AND TOOLS	162

Page #



PERU



HONDURAS



PARAGUAY



BRASIL



NICARAGUA



PANAMA



PUERTO RICO



MEXICO



GUATEMALA



EL SALVADOR



COSTA RICA



ECUADOR



COLOMBIA



CHILE



VENEZUELA

Serving Latin America
Se Habla Español

Serviendo Latino América

ALFA[®]

INTERNATIONAL

New for 2017

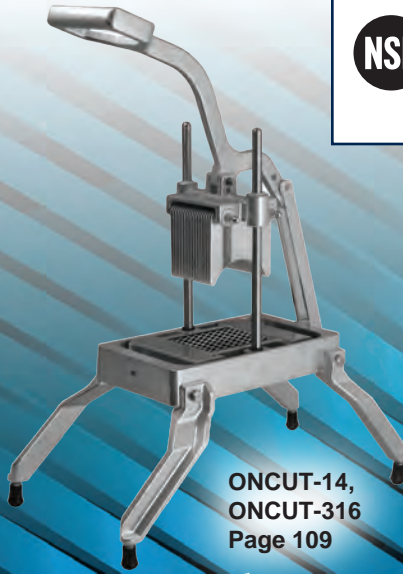
NSF -Approved Manual
Food Prep Tools



DICECUT-14
DICECUT-38
Page 109



TOMCUT-14,
TOMCUT-316
Page 109



ONCUT-14,
ONCUT-316
Page 109



FFCUTTER
Page 109



CHEESECUT
Page 110



WEDGE CUT-6,
WEDGE CUT-8
Page 109



LETCUT-1,
LETCUT-15
Page 109

ALFA[®]

INTERNATIONAL

New for 2017

Kitchenaid Commercial Immersion Mixers

**KHBC4140B,
KHBC4180B
Page 19**



Cordless Electric Bowl Lift BWLIFT Page 16



Nirey DK-298 Electric Knife Sharpener Page 106



Kitchenaid Commercial Bartop Blenders Page 19

**KSBC1B0
Page 19**



VacMaster Vacuum Sealers Page 91

**DUO550
Page 91**





Elmeco Granita Machines
B-Large Slushy Machine, Page 100



**American Eagle
Electric Meat Grinder**
AEMG-12, Page 70



**3-WAY MANUAL
KNIFE SHARPENER**
MOS-8, MOS-11, Page 112

**Tre Spade
Stainless Steel
Sausage Stuffers**
TS-5SSV, Page 108



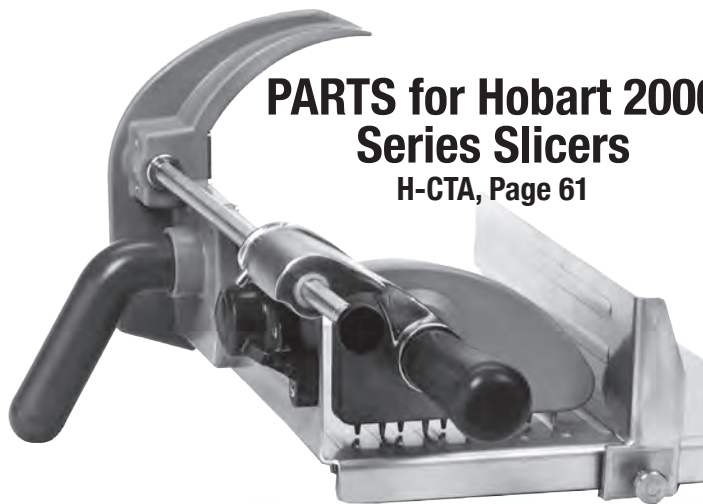
**Sharp-Easy Manual
Knife Sharpener**
Page 112



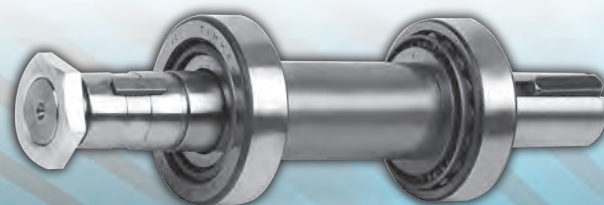
Schermer's Compact KK Stunner
Page 157

NEW PARTS! 2017

**PARTS for Hobart 2000
Series Slicers**
H-CTA, Page 61

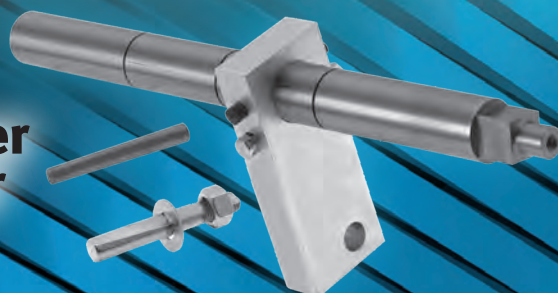


**PARTS for Hobart,
Hollymatic and other
Mixer-Grinders**
HMG-228 and HMG-220, Page 77



**PARTS for
Biro Bandsaws**
BIS-SHAFT, Page 133

**PARTS for
Hollymatic Super
54 Patty Maker**
HOL695, Page 151



**OLIVER Bagel
Slicer Blade**
OB-7053, Page 141



**PARTS for Hobart
Bandsaws**
HOS999, Page 128



Meat Slicer Blades
C12 HC, Globe, Page 34
Edge HC-4, Hobart, Page 34
7512-4 HC, Univex, Page 35
VS12F-HC, Bizerba, Page 35

**Ask Us About
BULK PRICING
& Save BIG
Today!**

Power Attachments

GRATER-SHREDDER (GS-12)	2
VEGETABLE SLICER (VS-12)	3
GUIDE TO SHREDDER PLATES	3
GS-12, VS-12 PARTS BREAKDOWN	4
MEAT GRINDING ATTACHMENTS	5
PASTA EXTRUDER ATTACHMENT	6-7
MEAT TENDERIZER ATTACHMENT	7
FAJITA SHREDDER ATTACHMENT	7
POWER ATTACHMENT TIPS & ADVICE	8
POWER BASE	71
GRINDER PLATES & KNIVES	72-74

Visit us online at www.alfaco.com

**ALFA
EXCLUSIVE**

GRATER-SHREDDER POWER ATTACHMENT

OEM QUALITY

NSF

Alfa's NSF-Approved GS-12 grater-shredder is the finest quality aftermarket version of Hobart's VS9 on the market today. Used on the power hub of mixers, choppers and power drives, these units come with a 3/16 shredder plate, safety latches and full instructions.

- Made of heavy-gauge polished aluminum
- Fits on size #12 and #22 Hobart-compatible power hubs
- Easy to disassemble and clean
- **Hardened Shafts** are machined to close tolerances for superior performance
- Shipped in a strong packing box

**WARRANTY:
6 Months**

Note: Clean by hand, not in an automatic dishwasher. All hardware components are stainless steel. Do not run dry. Detach from mixer when not in use to avoid damage.

NOTE: Our GS-12 & VS-12 Attachments fit Hobart CLASSIC & LEGACY Mixers, as well as Globe, Univex, Varimixer, Thunderbird and Intedige Mixers.

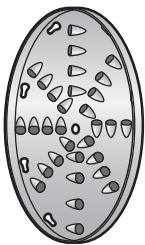


GS-12 /
GS 22

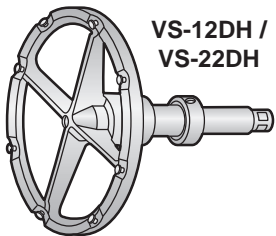
Safety Note: Always Use A Pusher With These Units

ALFA #	REPLACES HOBART #	DESCRIPTION	WEIGHT
GS-12	VS9	#12 Grater/Shredder Attachment Complete with 3/16" Disc	21 lbs.
GS-22	VS9-22	#22 Grater/Shredder Attachment Complete with 3/16" Disc	21 lbs.
VS-99P	69316	Pusher/Feed Plate with Adjustable Stop (Note: NOT Hobart Compatible)	2 lbs.
VS-99D	295669	Door/Hopper with Mounting Pins	4 lbs.
VS-99H	83486-1	#12 Back Housing with Brass Bushing and Safety Latch	9 lbs.
VS-888	VS-9 BUILDUP	Set of #12 Door, Housing and Pusher Plate only	17 lbs.
VS-22H	24634-1	#22 Back Housing with Brass Bushing and Safety Latch	9 lbs.
VS-12DH	ML-16225-Z	#12 Disc Holder (Can be replaced with VS-12KDS)	5 lbs.
VS-22DH	ML-16226-Z	#22 Disc Holder (Can be replaced with VS-22KDS)	5 lbs.
VS-12ST	N/A	Disc Holder Stud, Non-Threaded (may not fit Hobart OEM Disc Holder)	0.1 lb.
P-1005	N/A	SS Door Latch for VS-99H/VS-22H (With adjusting Set Screw)	1 lb.
VS-12SD-(Size)	77045+(Size)	SS Shredding Disc made in Taiwan (for sizes see following page)	1 lb.
VS-12GD	77049	SS Universal Hard Cheese Grater Disc made in Taiwan	1 lb.
KD-(Size)	N/A (Non-NSF)	SS Shredding Disc made in Germany (for sizes see following page)	1 lb.
KD-GD	N/A (Non-NSF)	SS Hard Cheese Grater / Bread Crumb Disk made in Germany	1 lb.
HM2-971	108197-1	Thumbscrew Assembly (1")	.5 lb.

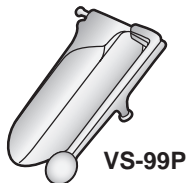
For a complete parts breakdown of the GS-12, see page 4.



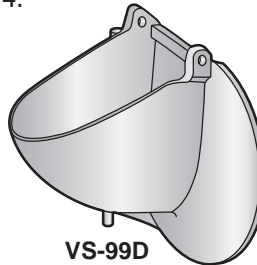
Shredding disc (see p. 8)



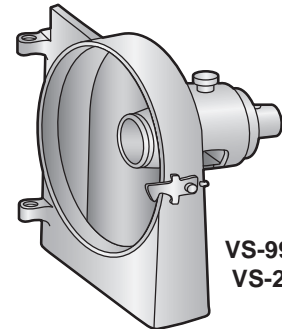
VS-12DH / VS-22DH



VS-99P



VS-99D



VS-99H / VS-22H

Unsure of your Hub size?
Here's how to tell them apart:

12

1.48"

99% of machines with a power hub have a size 12. This can be confirmed by measuring the inside diameter of the hub opening: 1.48" for the size 12 and 1.6" for the size 22 (very rare).

22

1.6"



GRATER-SHREDDER DISCS FOR THE GS-12/22

(WITH TYPICAL APPLICATIONS) *Note: These Discs are 9.25" in Diameter*

ALFA EXCLUSIVE

POWER ATTACHMENTS

	Coarse	Medium	Medium	Medium	Medium	Fine	Extra Fine	H. Cheese
GERMAN DISCS	KD-1/2	KD-5/16	KD-1/4	KD-3/16	KD-5/32	KD-3/32	KD-5/64	KD-GD
TAIWANESE DISCS	VS-12SD-1/2	VS-12SD-5/16	VS-12SD-1/4	VS-12SD-3/16	N/A	VS-12SD-3/32	VS-12SD-5/64	VS-12GD
Food Product Type:	Recommended Product Types for Each Hole Size:							
Cole Slaw	●	●						
Hash Browns	●	●						
Bread Crumbs		●	●					●
Hard Vegetables	●	●	●					●
Soft Cheeses		●	●					
Pizza Cheeses			●	●	●			
Carrots for Coloring			●	●	●	●	●	
Taco Cheeses						●	●	
Hard Cheese								●
Spices							●	●
Nuts			●	●	●	●	●	●

VEGETABLE-SLICER POWER ATTACHMENT

Alfa's VS-12 Vegetable Slicer is precision machined out of polished aluminum and supplied to many major OEMs. The VS-12KDS (Knife Disc Assembly) features an adjusting knob for easy thickness calibration and easily swaps out with the VS-12 DH Disk Holder (see previous page), converting your VS-12 into a GS-12.

- Stainless steel, one-piece "S" knife is finely honed for sharp, clean cuts
- Fits on size #12 and #22 Hobart-compatible power hubs
- Easy to disassemble and clean
- **Hardened Shafts** are machined to close tolerances for superior performance
- Shipped in a strong packing box



ALFA EXCLUSIVE

VS-12 / VS-22

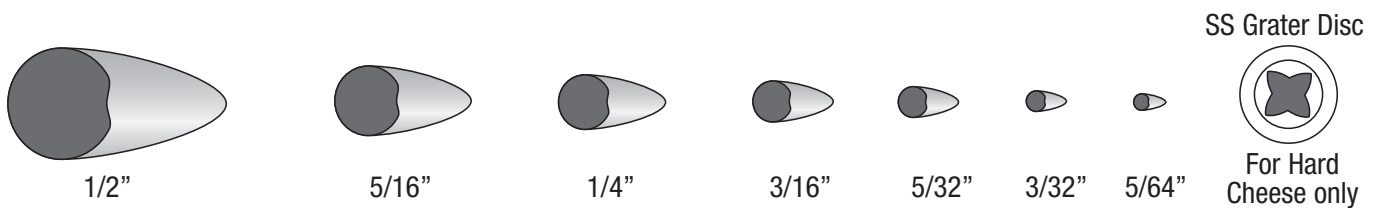
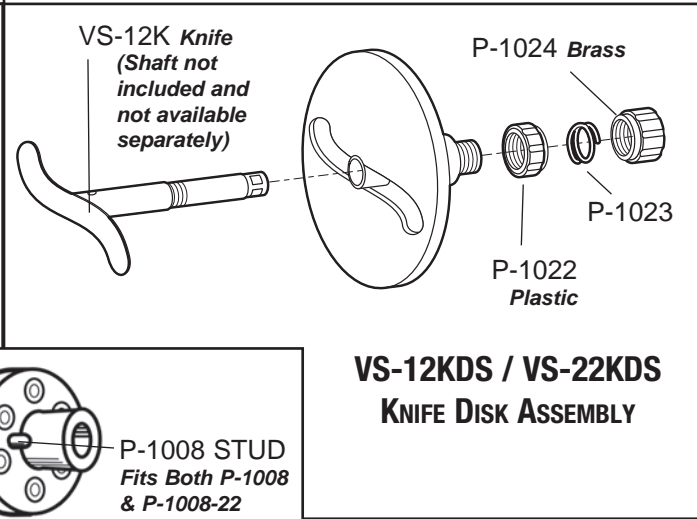
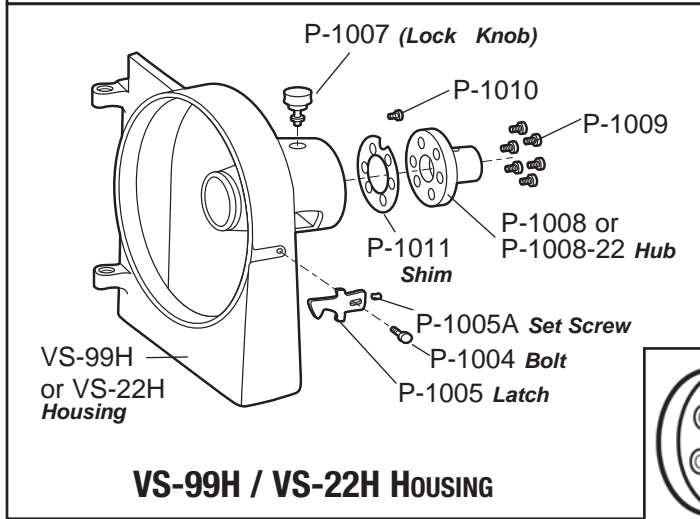
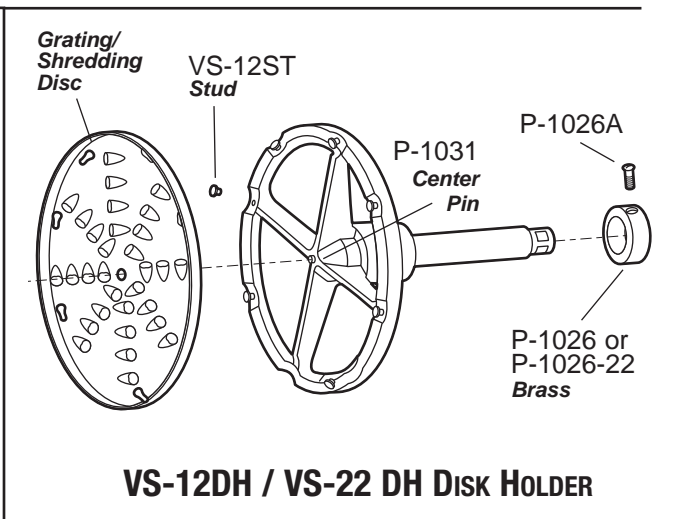
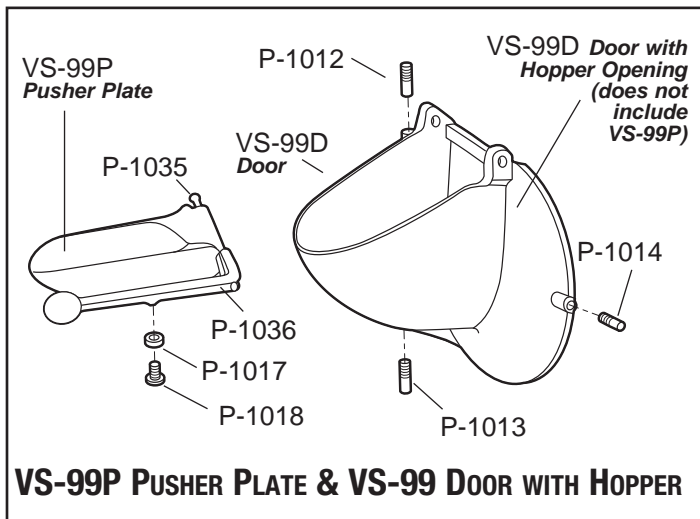
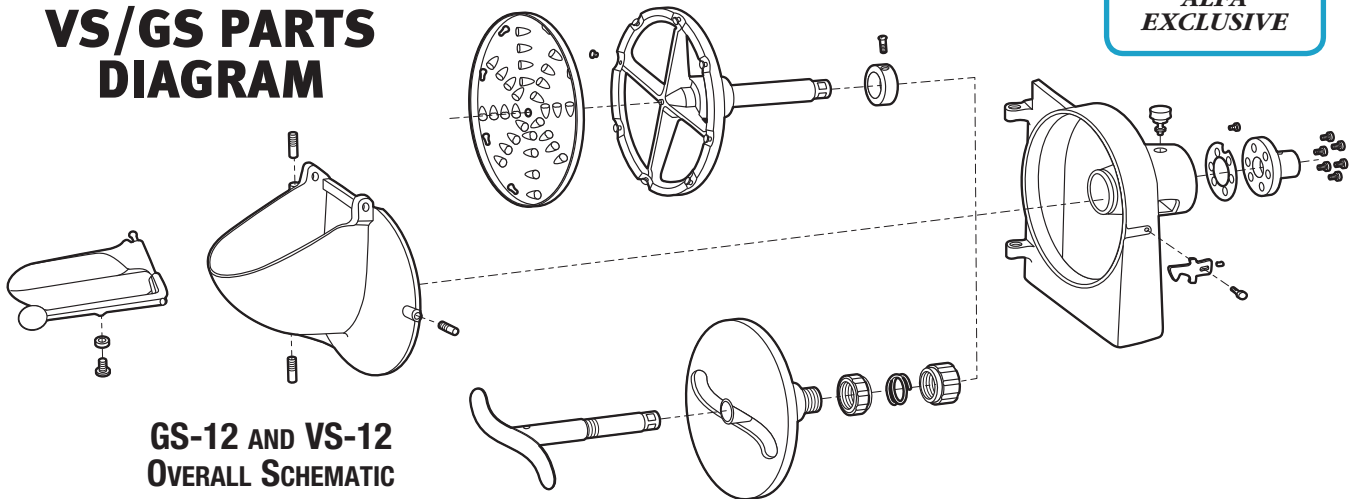


NOTE: Our GS-12 & VS-12 also fit Hobart LEGACY Model Mixers.

ALFA #	REPLACES HOBART #	DESCRIPTION	WEIGHT
VS-12	VS9	#12 Complete Vegetable Slicer Attachment (9/16 Square Hub) Complete with VS-12KDS Adjustable Knife Assembly	23 lbs.
VS-888	VS-9 BUILDUP	Set of #12 Door, Housing and Pusher Plate only	16 lbs.
VS-22	VS9-22	#22 Complete Vegetable Slicer Attachment (3/4" Square Hub)	23 lbs.
VS-12K	79725	S/S "S" Knife only w/o Pin for ALFA VS-12KDS only - not for Hobart	1 lb.
VS-12KDS	ML-16223-Z	#12 Knife Assembly Complete with Adjusting Knob and "S" Knife	6 lbs.
VS-22KDS	294938-4	#22 Knife Assembly Complete with Adjusting Knob and "S" Knife	6 lbs.
VS-99H	83486-1	#12 Back Housing with Brass Bushing and Safety Latch	9 lbs.
VS-22H	24634-1	#22 Back Housing with Brass Bushing and Safety Latch	9 lbs.
VS-99P	69316	Pusher/Feed Plate with Adjustable Stop	2 lbs.
VS-99D	295669	Door/Hopper with Mounting Pins	4 lbs.
P-1005	N/A	Door Latch for VS-99H/VS-22H (With adjusting Set Screw)	0.1 lb.
P-1008	N/A	Size 12 Back Mounting Hub	1 lb.
P-1008-22	N/A	Size 22 Back Mounting Hub	1 lb.

VS/GS PARTS DIAGRAM

**ALFA
EXCLUSIVE**



GRATER HOLE SIZE GUIDE *Hole sizes are not to scale.*

MEAT GRINDER ATTACHMENTS

Alfa's Best-Selling Stainless Steel Meat Grinder Power Attachments 12 SS CCA & 22 SS CCA

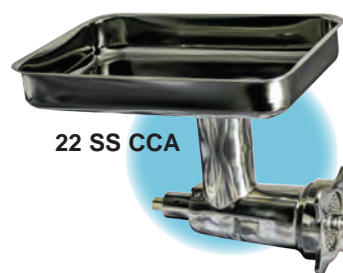
**ALFA
EXCLUSIVE**

**WARRANTY:
6 Months**



12 SS CCA

Alfa's top of the line 12 SS CCA is superior in quality to Hobart's OEM meat-grinder power attachment, at a fraction of the cost. The stainless steel 12 SS CCA Grinder attachment greatly expands your commercial mixer's usefulness and also works with power bases and other machines with Hobart-style power hubs. Comes with a stainless steel pan, stomper, two grinder plates (5/16" and 1/4"), grinder knife, cylinder ring & worm and a heavy-duty 3/4" stuffing tube. Alfa's chopper plates and knives fit this attachment. The 22 SS CCA is a stainless steel meat grinder that fits a standard #12 power hub but uses 22-size plates and knives.



22 SS CCA

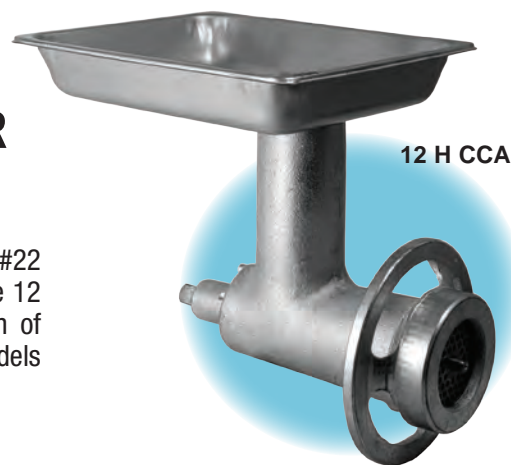
ALFA #	HUB SIZE	DESCRIPTION	WEIGHT
12 SS CCA	12	Complete Attachment - <u>Stainless Steel</u> •• BEST SELLER ••	13 lbs.
12 SS PAN	12	Stainless Steel oblong pan, 12.25" x 9.25" x 2.25", with 2.25" O.D. Throat	3 lbs.
12 SS WORM	12	Worm / Feed Screw for 12 SS CCA	3 lbs.
22 SS CCA	12	Complete Stainless Steel Chopper Attachment • #12 Hub - Uses #22 Plate & Knife •	16 lbs.
HST-6	12	Hollow Plastic Stomper, 1-1/2" Diameter	1 lb.

ECONOMY MEAT GRINDER POWER ATTACHMENTS



22 H CCA

The 22 H CCA fits the older-style #22 Hobart-style power hubs (3/4"). The 12 H CCA is a more-affordable version of our best-selling 12 SS CCA. Both models are made of tin.



12 H CCA

**WARRANTY:
3 Months**

**ALFA
EXCLUSIVE**

ALFA #	HUB SIZE	DESCRIPTION	WEIGHT
12 H CCA	12	Complete Economy Chopper Attachment - Tinned #12 Hub - Uses #12 Plate & Knife	20 lbs.
12 H CRW	12	Economy Cylinder, Ring and Worm only - Tinned	13 lbs.
12 H PAN	12	Stainless Steel Pan only (oblong) 12" x 9" x 2"; Throat 2.5" O.D.	3 lbs.
12HR	12	Economy Ring only - Tinned	2 lbs.
12HW	12	Economy Worm only - Tinned	2 lbs.
22 H CCA	22	Complete Economy Chopper Attachment - Tinned #22 Hub	25 lbs.
22 H PAN	22	Stainless Steel Pan only 12" x 9" x 2" (Rectangular)	3 lbs.
22HR	22	Economy Ring - Tinned	2 lbs.
22HW	22	Economy Worm - Tinned	2 lbs.

Note: The grinders on this page should NOT be used to process poultry, seafood, cheese or vegetables – beef, pork, and venison only

Note: The attachments on this page fit most Mixers, Grinders, Food Cutters and Power Units with standard Hobart-style size #12 or #22 Power Hubs. The components for the attachments on this page are intended as replacement parts only for ALFA attachments and not for equivalent products from different manufacturers.

ALFA
EXCLUSIVE

PEXT-12 FRESH PASTA EXTRUDER POWER ATTACHMENT



WARRANTY: 6 Months

A time- and money-saving power attachment, the PEXT-12 is designed to be used for production runs ranging from 1-3 hours a day. If your end-user is currently making pasta products by hand, this is a great way to ramp up production WITHOUT taking the plunge on a \$6,000 to \$8,000 machine.

PEXT-12

- Superb Italian machining on Stainless Steel Body and Solid Brass Pasta Dies
- Fits on size #12 Hobart-compatible power hubs
- Easy to disassemble and clean
- Extrudes up to 38 pounds of pasta an hour
- Included Pasta Dies: Spaghetti, Linguini, Fusilli and Casarecce



ALFA #	DESCRIPTION	SHIP WT.	SHIPPING DIMENSIONS
PEXT-12	Pasta Extruder	32 lbs.	12" W x 17" D x 14" H



464 Casarecci



21 Linguini



9 Spaghetti



370 Fusilli



The four pasta dies shown above are included with the PEXT-12. Many other dies, sold separately, are available, and an assortment are shown on the page opposite.

D5-PEXT-12	Angel Hair	D89-PEXT-12	Rigatoni
D9-PEXT-12	Spaghetti	D98-PEXT-12	Striped Maccheroni
D21-PEXT-12	Linguini	D169-PEXT-12	Elbow
D28-PEXT-12	Fettuccine	D225-PEXT-12	Shells
D36-PEXT-12	Pappardelle	D370-PEXT-12	Fusilli
D68-PEXT-12	Ziti	D464-PEXT-12	Casarecci

ADDITIONAL PASTA DIES FOR THE PEXT-12



If you want to live forever, you should eat pasta and drink wine.
– Sicilian proverb

Pasta has Italian roots – by way of China, thanks to Marco Polo – but for restauranteurs in the New World, it's an All-American staple of the US diet. Anyone who's tasted fresh pasta after a lifetime of eating noodles boiled out of a box knows that the fresh version just tastes better!

MEAT TENDERIZING AND FAJITA SHREDDING ATTACHMENTS

- Heavy duty aluminum & Stainless Steel Construction
- Easily disassembles for cleaning
- Fits on ALFA MC-12 Meat Grinder/Chopper & PB-12 Power Drive Units (page 71) and other size #12 Hobart compatible power hubs such as Univex and Berkel.
- Fajita Cutter cuts and shreds meat into 3/16" strips for fajitas
- *Dimensions:* 14" L x 7" W x 9" H
- *Opening:* 7.5" x 1"



WARRANTY:
6 Months

ALFA #	HUB SIZE	DESCRIPTION	NET/SHIP WEIGHT
TN-12	12	Meat Tenderizing Attachment	12/14 lbs.
FC-12	12	Fajita Meat Shredder Attachment	12/14 lbs.

(Shown with Power Base PB-12, see p. 71)

POWER ATTACHMENT TIPS

POWER ATTACHMENTS 101: The Basics

When a baker or food specialist owns and operates a large commercial mixer, he's got a big, powerful machine on his hands – a big machine with a big motor that turns a hook, beater or some other accessory in order to process dough or frosting or mashed potatoes, or whatever needs mixing. This leads to the question: so how does this baker/ food specialist get the most out of this machine, this powerful engine, when there isn't any pressing need for mixing?

The answer is: our ambitious entrepreneur gets some power attachments and is soon grinding and peeling and slicing and grating and shredding everything in sight. The whole story behind power attachments is that a motor turns a little peg (the "power hub") around and around. This power hub powers the power attachment. That's it - that's the whole story. This simple operation means you, our ambitious entrepreneur, makes the most of the potential of your mixer or grinder's engine.

“THOU SHALT NOT”: Things Not To Do With Your Power Attachments

- With whatever power attachment you're using, DO NOT put your hand or any utensil into the hopper opening of the device while it is turned on. USE A STOMPER (see p. 76).
- With whatever power attachment you're using, DO NOT run your apparatus through a commercial dishwasher; HAND-WASH ONLY.
- If you're using a power attachment and a product jam occurs, DO NOT leave the machine running. Make sure you TURN OFF the electrical supply to the device and ensure that any rotation has stopped before attempting any remedial action.
- Lots of large operations use steam or water hoses for after-hours cleanup. If your power attachment is still attached to a power source, DO NOT hose it down; you will be inviting a dangerous electric shock.

Unsure of your Hub size? Here's how to tell them apart:

12
1.48"

99% of machines with a power hub have a size 12.
This can be confirmed by measuring the inside diameter of the hub opening: 1.48" for the size 12 and 1.6" for the size 22 (very rare).

22
1.6"

And Don't Forget These Essential Supplies:



Safety Gloves

Page 113



Chopper Plates & Knives

Pages 72-74



Machine Lubricants

Pages 120-121

**Ask Us About
BULK PRICING
& Save BIG
Today!**

Mixers

MIXERS

BOWLS FOR CLASSIC HOBART MIXERS	10
AGITATORS FOR HOBART CLASSIC MIXERS	11
VALUE AGITATORS FOR HOBART CLASSIC MIXERS	12
BOWL DOLLIES/ BOWL ADAPTERS	12
SAFETY CAGES FOR HOBART CLASSIC MIXERS	13
BOWLS/AGITATORS FOR HOBART LEGACY MIXERS	14
BOWLS /AGITATORS FOR GLOBE MIXERS	15
NEW!! ELECTRIC CORDLESS BOWL LIFT	16
HOBART MIXER BOWL SPECS	16
PRECISION PLANETARY MIXERS	17
KITCHENAID MIXERS	18-19
NEW!! KITCHENAID IMMERSION MIXERS	19
NEW!! KITCHENAID BARTOP BLENDERS	19
KITCHENAID AGITATORS & ACCESSORIES	20
KITCHENAID MIXER BOWLS	18&20
PARTS FOR HOBART CLASSIC MIXERS	21-30

Visit us online at www.alfaco.com

**NOW WITH
18 MONTHS OF
WARRANTY COVERAGE!**

STAINLESS STEEL MIXER BOWLS

THE BEST BOWL FOR "CLASSIC" HOBART MIXERS

**ALFA
EXCLUSIVE**



Alfa's NSF-Approved mixer bowls are the best aftermarket bowls available on the market today!

- Meets all NSF and US Government specifications
- True one piece construction for more durability
- Heavy Gauge 304 Stainless Steel (will not discolor product)
- Full support band on 30 quart and larger models
- Thick bottom ring on 60 quart and larger models
- Satin finish resists scratches

ALFA #	REPLACES HOBART #	QUART CAPACITY	GROSS WEIGHT	FITS MODELS																								
				C1000	C1000T	A1200	A1200T	A2000	A2000D	A2000F	A2000FD	L200	D3000	D3000D	D3000T	D3000F	H6000	H6000D	P6600	L8000	L8000D	M8002	V1400	V1400U	T801			
10VBWL	275681	10	6 lbs.	x	x																							
12VBWL	295643	12	7 lbs.			x	x																					
12VBWLA*	295644	12	7 lbs.					x	x	x	x	x																
20VBWL	275683	20	11 lbs.					x	x	x	x	x																
30VBWL	437410	30	19 lbs.										x	x	x	x												
30VBWLA*	295648	30	19 lbs.														A	A	A	A	A	A	A	A	A	A	A	
40VBWLA*	275686	40	25 lbs.														A	A	A	A	A	A	A	A	A	A	A	
60VBWL	275688	60	35 lbs.													x	x	x	A	A	A	A	A	A	A	A	A	
80VBWL	275690	80	45 lbs.																x	x	x	A	A	A	A	A	x	
140VBWL	295651 / 917142	140	65 lbs.																						x	x		
80VBWL BARE (For Kettle Corn manufacturers - does not have mid-body belly band or bottom support ring)																												

*A for "Adaptable", i.e., bowls can fit on some larger mixers (when the bowl is properly fitted with a Bowl Adapter (see p. 12).
The above parts are sold by Alfa International as replacement parts for Hobart Mixers. Alfa is not affiliated with Hobart.
NOTE: These bowls will NOT fit Hobart Legacy Mixers. For Legacy bowls and accessories, see p. 14.



SPIRAL DOUGH HOOKS ("ED" STYLE)
(Best Style for Mixer)
Solid Aluminum

Not for Legacy models, these attachments TWIST into place. An Item with an "A" indicates that it is an Adaptable accessory (i.e., can be used on some different size mixers).

ALFA EXCLUSIVE

ALFA #	REPLACES HOBART #	MIXER CAPACITY	WEIGHT
20DS	275931 / 477521	20 qts.	2 lbs.
30DS	275889 / 478596	30 qts.	3 lbs.
60DS	295174	60 qts.	10 lbs.
80DS*	295171 / 437701	80 qts.	18 lbs.
140DS*	295131	140 qts.	31 lbs.

* indicates a brass insert for longer life

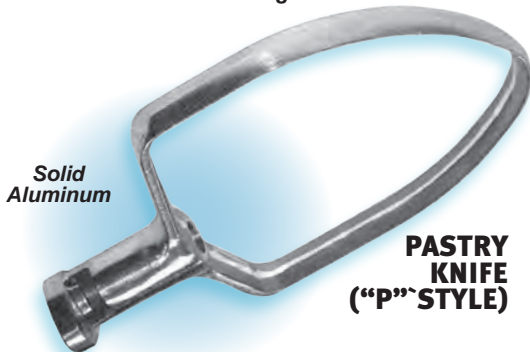


"J" DOUGH HOOKS ("E" STYLE)
(Not for Pizza Dough)
Solid Aluminum

WARRANTY: 6 Months

ALFA #	REPLACES HOBART #	MIXER CAPACITY	WEIGHT
10D	061858	10 qts.	2 lbs.
12D	275930	12 qts.	2 lbs.
20D	295119	20 qts.	3 lbs.
30D	295120	30 qts.	6 lbs.
30DA	275458	60+ qts.	6 lbs.
40DA	295176	60+ qts.	8 lbs.
60D	295175	60 qts.	10 lbs.
80D*	275466	80 qts.	18 lbs.

* indicates a brass insert for longer life

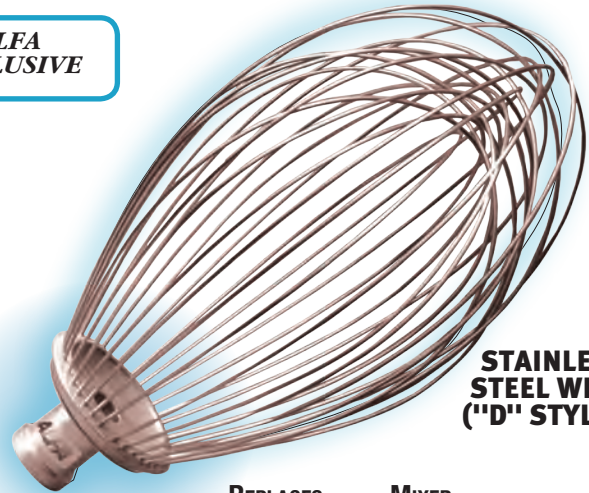


Solid Aluminum

PASTRY KNIFE ("P" STYLE)

ALFA #	REPLACES HOBART #	MIXER CAPACITY	WEIGHT
20P	275467	20 qts.	3 lbs.

AGITATORS FOR CLASSIC HOBART MIXERS



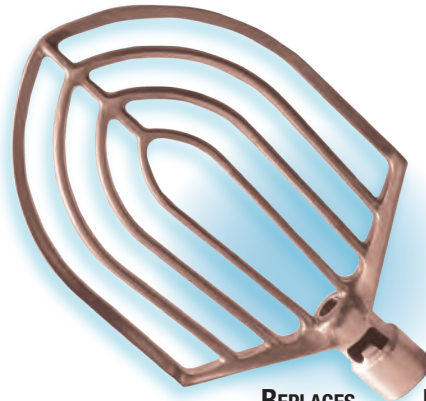
STAINLESS STEEL WHIPS ("D" STYLE)

ALFA #	REPLACES HOBART #	MIXER CAPACITY	WEIGHT
10W*	N/A	10 qts.	2 lbs.
12W	275895	12 qts.	3 lbs.
20W	275897	20 qts.	4 lbs.
30W	275899	30 qts.	4 lbs.
30WA	439740	60+ qts.	5 lbs.
40WA	295157	60+ qts.	7 lbs.
60W	295154	60 qts.	7 lbs.
80W	295149	80 qts.	10 lbs.
140W	295143	140 qts.	15 lbs.



COMPONENT

* This item is NOT NSF-approved



FLAT BATTER BEATERS or PADDLES ("B" STYLE)
(For Mixing Batter, Not Dough)
Solid Aluminum

ALFA #	REPLACES HOBART #	MIXER CAPACITY	WEIGHT
10B	275455	10 qts.	1 lb.
12B	275549	12 qts.	3 lbs.
20B	275459	20 qts.	4 lbs.
30B	275450	30 qts.	5 lbs.
30BA	275809	60+ qts.	5 lbs.
40BA	275447	60+ qts.	6 lbs.
60B	275885	60 qts.	7 lbs.
80B	275448	80 qts.	10 lbs.
140B	275883	140 qts.	15 lbs.

The above parts are sold by Alfa International as replacement parts for Hobart Mixers. Alfa is not affiliated with Hobart. For listings of which mixer models these agitators fit, see our website at alfaco.com.

MIXERS

**ALFA
EXCLUSIVE**

MIXER ACCESSORIES

SOLID CAST-ALUMINUM BOWL DOLLY / TRUCK

Equipped with heavy-duty polypropylene castors and galvanized hardware, these sturdy dollies are recommended for 40-140 qt. bowls and have a maximum load capacity of 800 lbs. These dollies work great with Hobart Classic & Legacy Bowls as well as Globe Bowls and 30-80 qt. Univex Bowls.

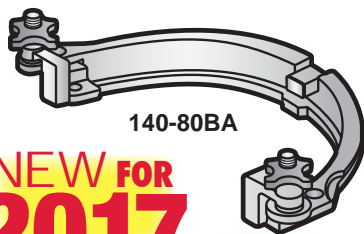


HMBT-223



WARRANTY: 6 Months

ALFA #	REPLACES HOBART #	GROSS WEIGHT	FITS MODELS
HMBT-223	315013	22 lbs.	All Models, 40 to 140 quart
HMBT-CASTOR		5 lbs.	(Replacement castors only fit HMBT-223)



140-80BA

**NEW FOR
2017**

MIXER BOWL ADAPTER RINGS

This Adapter Ring will expand the capabilities of your mixer. *Note: This item does NOT work on Hobart Legacy 140-qt. model.*

WARRANTY: 6 Months

NEW

ALFA #	REPLACES HOBART #	GROSS WEIGHT	FITS MODELS
60-30BA	62087-1	20 lbs.	60, 80 and 140
80-40BA	024653-1	23 lbs.	L800, M802, V1401
140-80BA	62111	30 lbs.	V1401

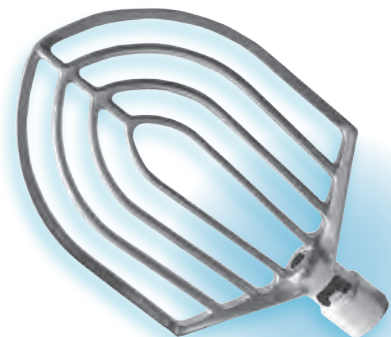


STAINLESS STEEL WHIPS ("D" STYLE)

ALFA #	REPLACES HOBART #	MIXER CAPACITY	WEIGHT
20-VW	275897	20 qts.	4 lbs.
30-VW	275899	30 qts.	4 lbs.
60-VW	295154	60 qts.	7 lbs.
80-VW	295149	80 qts.	10 lbs.
140-VW	295143	140 qts.	15 lbs.

VALUE AGITATORS FOR CLASSIC HOBART MIXERS

These fine mixer whips, paddles and dough hooks are manufactured with the same attention to quality as our regular Alfa line of mixer accessories, but because they aren't NSF-Approved, they are much less expensive.



WARRANTY: 3 Months

FLAT BEATERS or PADDLES ("B" STYLE)

(For Mixing Batter, Not Dough)
Solid Aluminum

ALFA #	REPLACES HOBART #	MIXER CAPACITY	WEIGHT
20-VB	275459	20 qts.	4 lbs.
30-VB	275450	30 qts.	5 lbs.
60-VB	275885	60 qts.	7 lbs.
80-VB	275448	80 qts.	10 lbs.
140-VB	275883	140 qts.	15 lbs.

SPIRAL DOUGH HOOKS ("ED" STYLE)

(Best Style for Pizza) Solid Aluminum

ALFA #	REPLACES HOBART #	MIXER CAPACITY	WEIGHT
20-VDS	275931 / 477521	20 qts.	2 lbs.
30-VDS	275889 / 478596	30 qts.	3 lbs.
60-VDS	295174	60 qts.	10 lbs.
80-VDS*	295171 / 437701	80 qts.	18 lbs.
140-VDS*	295131	140 qts.	31 lbs.

* indicates a brass insert for longer life



These accessories fit "Classic" Hobart mixers. Not for Legacy models, these attachments TWIST into place.

The above parts are sold by Alfa International as replacement parts for Hobart Mixers. Alfa is not affiliated with Hobart.

SAFETY CAGES FOR HOBART MIXERS (20-140 Qt.)

WARRANTY: 6 Months

ALFA
EXCLUSIVE

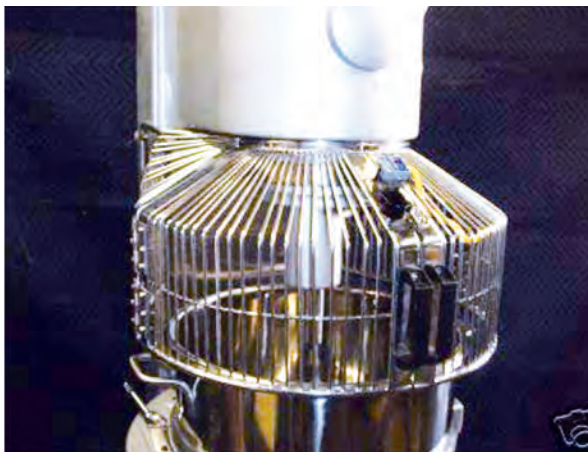


MIXERS

An Essential Safety Requirement For Your Bakery Dept. Just Got a LOT More Affordable

- All Stainless Steel Construction
- Heavy Duty for Commercial Use
- All Latches, Hinges, Pins & Fasteners are Stainless Steel, too!
- Simple Easy-Open and -Cleaning
- Power Cut-Off Micro Switch Included
- Electrical Wiring Harness is Hook-Up Ready
- High Impact Plastic Control Knobs

ALFA PART #	FITS MODELS	HOBART PART #	WEIGHT
HBG-20	A200	439934	10 lbs.
HBG-30	D300	874964	15 lbs.
HBG-60	H600 / P660	438160	30 lbs.
HBG-80	L800	438105	35 lbs.
HBG-802	M802	438120, 875808	35 lbs.
HBG-140	V1401	875820	45 lbs.



Note: Installation and Electrical hook-up must be done by a qualified technician

The above parts are sold by Alfa International as replacement parts for Hobart Mixers. Alfa is not affiliated with Hobart.

HOBART OEM ACCESSORIES FOR LEGACY® MIXERS

WARRANTY:
3 Months



- OEM, not Aftermarket Equipment
- One Piece Construction
- Highest Quality Heavy-Gauge #304 Stainless Steel



L60 SSBW

BOWLS

ALFA #	HOBART #S	BOWL CAPACITY	SHIPPING WEIGHT	FITS MODEL
L12 SSBW	937226 / BOWL-HL12	12 qts.	7 lbs.	HL120
L20 SSBW	917720 / BOWL-HL20	20 qts.	12 lbs.	HL200
L30 SSBW	916616 / BOWL-HL30	30 qts.	20 lbs.	HL300
L40 SSBW	916615 / BOWL-HL40	40 qts.	25 lbs.	HL400
L60 SSBW	875603 / BOWL-HL60	60 qts.	35 lbs.	HL600
L80 SSBW	875846 / BOWL-HL80	80 qts.	45 lbs.	HL800
L140 SSBW	875845 / BOWL-HL140	140 qts.	66 lbs.	HL1400

NOTE: These attachments SNAP into place with a locking pin (see bottom of page)

AGITATORS

WARRANTY:
3 Months

- OEM, not Aftermarket Equipment

BATTER BEATERS



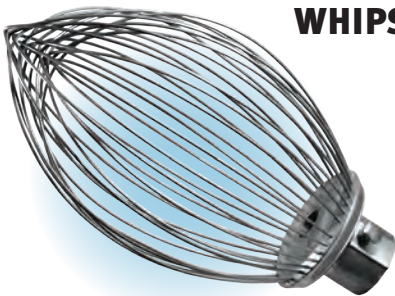
ALFA #	HOBART #S	MIXER CAPACITY	SHIPPING WEIGHT	FITS MODEL
L12 BP	874828 / BBEATER-HL12	12 qts.	3 lbs.	HL120
L20 BP	874790 / BBEATER-HL20	20 qts.	4 lbs.	HL200
L30/40 BP	916372 / BBEATER-HL3040	30/40 qts.	6 lbs.	HL300/HL400
L60 BP	874172 / BBEATER-HL60	60 qts.	7 lbs.	HL600
L80 BP	874654 / BBEATER-HL80	80 qts.	10 lbs.	HL800
L140 BP	874409 / BBEATER-HL140	140 qts.	15 lbs.	HL1400



SPIRAL DOUGH HOOKS

ALFA #	HOBART #S	MIXER CAPACITY	SHIPPING WEIGHT	FITS MODEL
L12 SDH	873343 / EDDOUGH-HL12	12 qts.	2 lbs.	HL120
L20 SDH	874791 / EDDOUGH-HL20	20 qts.	2 lbs.	HL200
L30/40 SDH	916618 / EDDOUGH-HL30AL	30/40 qts.	5 lbs.	HL300 & HL400
L60 SDH	874285 / EDDOUGH-HL60	60 qts.	10 lbs.	HL600
L80 SDH	874647 / EDDOUGH-HL80	80 qts.	18 lbs.	HL800
L140 SDH	875847 / EDDOUGH-HL140	140 qts.	31 lbs.	HL1400

STAINLESS STEEL WHIPS



MIXER ALFA #	SHIPPING HOBART #	FITS CAPACITY	WEIGHT	MODEL
L12 WHP	873360 / DWHIP-HL12	12 Qts.	3 lbs.	HL120
L20 WHP	874792 / DWHIP-HL20	20 qts.	4 lbs.	HL200
L30/40 WHP	916421 / DWHIP-HL4030	30/40 qts.	7 lbs.	HL300 & HL400
L60 WHP	874190 / DWHIP-HL60	60 qts.	7 lbs.	HL600
L80 WHP	875866 / DWHIP-HL80	80 qts.	10 lbs.	HL800
L140 WHP	875863 / DWHIP-HL140	140 qts.	15 lbs.	HL1400

HOBART LEGACY® AGITATOR LOCKING PINS

These Agitator Locking Pins differentiate Legacy agitators from older, "Classic" models, which did not require a pin

ALFA #	REPLACES HOBART #	FITS MODELS
HML-145	874145	HL600, HL800, HL1400
HML-753	00-874753	HL120, HL200, HL300, HL400

HML-145



Note: All products on this page are Hobart O.E.M. items and only fit Hobart Legacy® Mixers.



OEM MIXER BOWLS & AGITATORS



Globe's dedication to quality manufacturing, exceptional service, and value is well known.



MIXERS

MIXER MODEL SP8 (8-QT. MIXER)

ITEM	ALFA PART #
Bowl	GM8BWL
Beater Paddle	GM8B
Dough Hook	GM8D
Whip	GM8W

MIXER MODEL SP10 (10-QT. MIXER)

ITEM	ALFA PART #
Bowl	GM10BWL
Beater Paddle	GM10B
Dough Hook	GM10D
Whip	GM10W

MIXER MODEL SP20 (20-QT. MIXER)

ITEM	ALFA PART #
Bowl	GM20BWL
Beater Paddle	GM20B
Dough Hook	GM20D
Whip	GM20W

MIXER MODEL SP25 (25-QT. MIXER)

ITEM	ALFA PART #
Bowl	GM25BWL
Beater Paddle	GM25B
Dough Hook	GM25D
Whip	GM25W

MIXER MODEL SP30 (30-QT. MIXER)

ITEM	ALFA PART #
Bowl	GM30BWL
Beater Paddle	GM30B
Dough Hook	GM30D
Whip	GM30W

MIXER MODEL SP40 (40-QT. MIXER)

ITEM	ALFA PART #
Bowl	GM40BWL
Beater Paddle	GM40B
Dough Hook	GM40D
Whip	GM40W

MIXER MODEL SP60 (60-QT. MIXER)

ITEM	ALFA PART #
Bowl	GM60BWL
Beater Paddle	GM60B
Dough Hook	GM60D
Whip	GM60W

MIXER MODEL SP80 (80-QT. MIXER)

ITEM	ALFA PART #
Bowl	GM80BWL
Beater Paddle	GM80B
Dough Hook	GM80D
Whip	GM80W



**NEW FOR
2017**

CORDLESS ELECTRIC BOWL LIFT for Classic 60-, 80- and 140-Quart Hobart Bowls

Perfect for safely lifting full mixing bowls, this Electric Bowl Lift increases your kitchen's efficiency and saves your workers' time and energy. Easily operated by one person, the unit can lift, tilt and pour loads up to 440 pounds!

The support frame latches directly onto standard OEM bowls – no additional hardware is required to attach, lift, and tilt.

- Easily operated by one person
- Lifts and tilts loads from heights up to 5 feet
- Powered by a rechargeable 12-volt DC battery
- Battery good for up to 100 lifts with a single charge
- Battery power means NO power cords cluttering your kitchen floor
- Easy to clean and maintain
- Self-contained unit requires no additional hardware for lifting and tilting
- Casters enable easy transportation of loads

WARRANTY: 1 Year

ALFA #	DESCRIPTION	WEIGHT	DIMENSIONS
BWLLIFT	Cordless Bowl-Lift	384 lbs.	39.8" W x 40.2" D x 79.5" H

MAXIMUM LIFT HEIGHT: 61.8"

POWER SOURCE: Rechargeable battery

MAXIMUM LOAD CAPACITY: 440 lbs

SUPPORT-FRAME ADJUSTABLE RANGE: 5.9" to 32.5"

MAXIMUM LIFT HEIGHT: 61.8"

POWER PACK: 180/800W

BATTERY: 12/70 (v/Ah)

UNIT DIMENSIONS: 39.8"W x 40.2"D x 79.5"H

NET WEIGHT: 384 lbs.



SPEC SHEET: Mixer Bowls for Classic Hobart Mixers

ALFA BOWL #	BOWL HEIGHT	DIAMETER (INSIDE RIM)	PIN-TO-PIN
10VBWL	9"	9-7/8"	10-7/8"
12VBWL	9.75"	10.75"	12.312"
12VBWLA*	9.75"	10.75"	13.625"
20VBWL	11.5"	12-5/8"	13.626"
30VBWL	13.5"	14.125"	15.312"
30VBWLA*	13-3/8"	14.125"	17.5"
40VBWLA*	15-5/8"	15-7/8"	17.5"
60VBWL	16-7/8"	17-13/16"	20.75"
80VBWL	18.5"	20"	22.375"
140VBWL	25-1/8"	22.5"	24.875"

*A for "Adaptable", i.e. these bowls can fit larger mixers when used with an adapter – see pg. 12.

Not sure what model mixer you have?
These dimensions might help you figure out the bowl you need.

Note: If you're guessing about what model you have, it's a 20% restock fee if you guess wrong!



PRECISION COMMERCIAL MIXERS

Featured Mixer: APM-60HD

Precision Mixers are, we believe, superior in construction, dependability and overall quality to any other mixers currently on the market.

Pictured at right is the APM-60HD, a 3-speed mixer designed by Precision exclusively for pizzerias. Alfa International and Precision Mixers are so confident about the quality of this mixer that **we offer an unconditional 7-year warranty on all gears and shafts in the APM-60HD's Planetary and Transmission assemblies.**

STANDARD WITH EVERY APM-60HD MIXER:

- Gear-Reduction Transmission
- #12 Attachment Power Hub
- 80-Quart Stainless Steel Bowl
- Dough Hook
- Beater Paddle
- Bowl Dolly
- Stainless Steel Bowl Guard
- Bowl Stabilizer
- Manual Bowl Lift & Safety Shut-off
- Bowl Locking Handles
- 30-Minute Timer with Automatic Shut-Off



OPTIONAL ACCESSORIES

- 60-Quart Stainless Steel Bowl (No charge when replacing 80-qt. bowl on new orders)
- 40-Quart Knockdown Adapter Plate
- 40-Quart Bowl and Adaptable 40-qt accessories
- Electric Bowl Lift
- 30-Minute Timer with Automatic Shut-Off

WARRANTY FOR APM-60HD: 7 Years on All Gears and Shafts in the Planetary & Transmission Assemblies; 3 Year Limited Parts (Motor, Transmission and Drive-Train); 1 Full Year Parts and Labor on Entire Machine



MIXERS

APM-60HD

CALL OR WRITE US TODAY FOR A SPEC SHEET ON THE MODEL THAT BEST SERVES YOUR NEEDS.

Available in sizes ranging from 10- to 140-quart capacities, Precision Mixers are the very definition of "heavy-duty" machines, featuring an incredibly durable one-piece transmission gear assembly that is almost indestructible. Precision and Alfa International will stand behind these

mixers, honoring the **industry's best warranty**. When you buy one of these mixers you will have easy access to fairly-priced parts and to service companies staffed with trained technicians who will help keep your business working seamlessly.

WARRANTY FOR ALL OTHER PRECISION MIXERS: 3 Year Limited Parts (Motor, Transmission and Drive-Train); 1 Full Year Parts and Labor on Entire Machine

ALFA #	BOWL CAPACITY (QTS.)	MOTOR	VOLTS	AMPS	AGITATOR SPEED RANGE (RPMs)	SHIPPING WEIGHT	DIMENSIONS BOXED
APM-10	10	1/3 HP	115	8	76-259	100 lbs.	19" x 15" x 25"
APM-20	20	1/2 HP	115	10.98	76-259	300 lbs.	28" x 24" x 42"
APM-30	30	1 HP	115	12.67	78-250	525 lbs.	31" x 28" x 49"
APM-40	40	1 1/2 HP	208/240	10	55-230	600 lbs.	34" x 40" x 56"
APM-50	50	2 HP	208/240	12.6-14.5	55-230	600 lbs.	34" x 40" x 56"
APM-60V	60	2 HP	208/240	14.7-16.9	104-331	1100 lbs.	41" x 32" x 67"
APM-60HD	60-80	4 HP	208/240	15-17	65-208	1100 lbs.	41" x 32" x 67"
APM-80EL	80	4.25 HP	208/240	14	104-331	1100 lbs.	41" x 32" x 67"
APM-140	140	6.5 HP	208/240	16.3	55-288 (4-Speed)	2645 lbs.	53" x 40" x 75"

All models are 1-Phase, except APM-80EL and APM-140, which are 3-phase. Models APM-60V and APM-60HD are available in either 1- or 3-phase. All mixers above (with exception of APM-60HD) come with S/S bowl, dough hook, wire whip & beater paddle.

NEED PRECISION BOWLS, ACCESSORIES OR PARTS? CALL OR EMAIL US FOR PART #S, SCHEMATICS AND PRICES

KitchenAid®

COMMERCIAL



KSMC8950B
ONYX BLACK



KSM8990ER
EMPIRE RED



KSM8990DP
DARK PEWTER



KSM8990WH
WHITE

NSF-APPROVED MIXERS FOR YOUR COMMERCIAL KITCHEN!

NSF

KitchenAid's 8-quart \ mixer is NSF-approved and comes with a **TWO-YEAR FACTORY WARRANTY!**

Mixers colored **WHITE** are **IN STOCK** for immediate shipment. Other colors are **Special Order**

Each mixer comes equipped with a Stainless Steel Bowl, Whip, Beater Paddle, Spiral Dough Hook and 50" long power cord. We also offer a wide array of KitchenAid Accessories to meet all of your food processing applications! (See p. 20.)

- 2-Year No-Hassle Warranty
- Powerful 1.3 HP Motor
- All-Metal Gears
- 5-Qt. Adaptable Mixer Bowl Available (Optional)

ALFA #	DESCRIPTION	ELECTRICAL	SHIP WEIGHT	DIMENSIONS
KSM8990WH	KitchenAid 8 Qt. Commercial Mixer - NSF (1.3 HP)	120V-60Hz/955W	31/40 lbs.	18"H x 14"W x 16"D
KSMC895WH	KitchenAid 8 Qt. Commercial Mixer - NSF (1.3 HP) with Bowl Guard	120V-60Hz/955W	34/43 lbs.	18"H x 14"W x 16"D



KSMC8QBOWL



KitchenAid®

COMMERCIAL

OEM MIXER BOWLS AND AGITATORS

ALFA #	DESCRIPTION
KN25NSF	5 Qt. SS Bowl w/ Handle (NSF)
KSMC7QFB	7/8 Qt. Flat Beater (S/S)
KSMC7QDH	7/8 Qt. Dough Hook (S/S)
KSMC7QEW	7/8 Qt. SS Wire Whip
KAFE7L	7/8-Qt. Flexible Beater
KSMC8QBOWL	8 Qt. SS Bowl w/ Handle (NSF)



With a top speed of 18,000 RPM Kitchenaid's new commercial line of immersion mixers are great for purees, whipping cream, emulsifying and many other kitchen tasks requiring a powerful mixer.



- Powerful 1HP* variable-speed motor
- NSF-approved S/S blending arm
- Variable speeds from 9,000–18,000 rpm
- Bowl clamp for safe hands-free operation
- Optional interchangeable whisk attachment

ALFA #	DESCRIPTION	LENGTH OF ARM
KHBC4140B	Immersion Mixer	14"
KHBC4180B	Immersion Mixer	18"



MIXERS

**NEW FOR
2017**

COMMERCIAL BARTOP BLENDERS! KSBC1B0 Series Countertop Blender



With simple controls for easy operation the KSBC1B0 Blender's powerful 3.5HP* motor boasts a 3-year hassle-free replacement warranty.** The patented TALON™ blade blends at four different angles for smooth, consistent results.

- Icy Drink Program Settings ensure easy operation
- Variable Times & Pulse allow you to customize your blending
- TALON™ blade is especially designed for blending large, tough ingredients, like whole fruits & vegetables, saving prep time
- Die-cast easy-to-clean metal base, dial & switches

ALFA #	DESCRIPTION
KSBC1B0CU	Blender / Contour Silver
KSBC1B0BM	Blender / Matte Black

Weight: 19.7 Lbs.;
Shipping Weight: 23.79 lbs.
Dims: 13.5"L x 14.5"W x 18.25"H



**3-YEAR REPLACEMENT
LIMITED COMMERCIAL
WARRANTY**

KitchenAid[®] HOME APPLIANCES

WARRANTY: 1 Year

KitchenAid Professional Mixers are equipped with 10 different mixing speeds and utilize a unique planetary mixing action to reduce mixing time. Conveniently portable, they are incredibly powerful and diverse food processing tools.

- Direct-drive Transmission / All Steel Gears
- Heavy Duty Die-Cast Metal Construction
- Electronic Speed Sensor Maintains Uniform Mixing Speeds
- Bowl-Lift includes sturdy metal arms for mixing stability

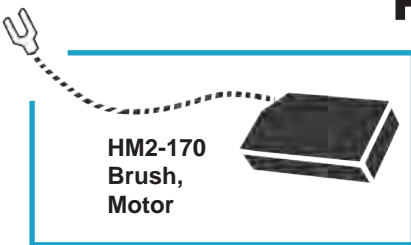


ALFA #	DESCRIPTION
KSM95WH*	KitchenAid 4.5 Qt. Ultrapower Mixer (.6 HP) Electrical: 120V-60Hz/300W Ship Weight: 26/28 lbs. / Dimensions: 14"H x 10"W x 15"D
KP26M1XWH*	KitchenAid 6 Qt. Professional Mixer (.8 HP) Electrical: 120V-60Hz/575W Ship Weight: 27/31 lbs. / Dimensions: 16.5"H x 11.3"W x 14.6"D

Each mixer comes equipped with a S/S Bowl, Whip, Beater Paddle and Spiral Dough Hook.

PARTS FOR HOBART MIXERS

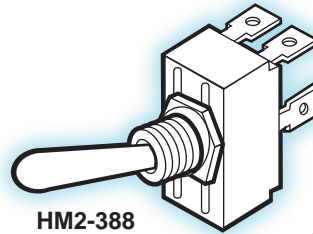
Models A120, A200 and H600



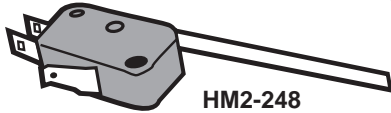
HM2-170
Brush,
Motor



HM2-271



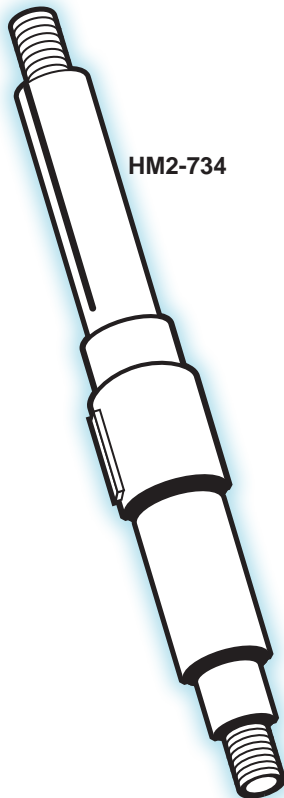
HM2-388



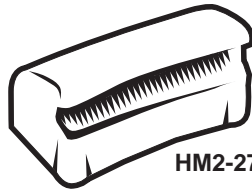
HM2-248

**Need Gear
Oil for Your
Classic Hobart
Mixers?
See Lubricants
P. 120-121**

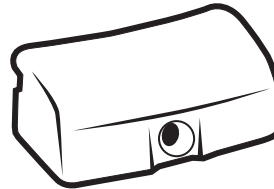
MIXERS



HM2-734



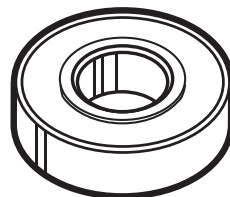
HM2-272



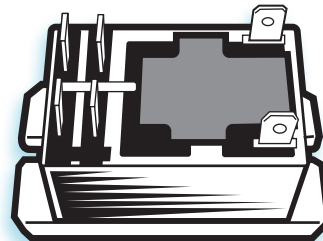
HM2-273



HM2-401



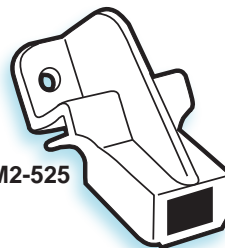
HM2-218



HM2-421



HM2-749



HM2-525



HM2-718



HM2-539

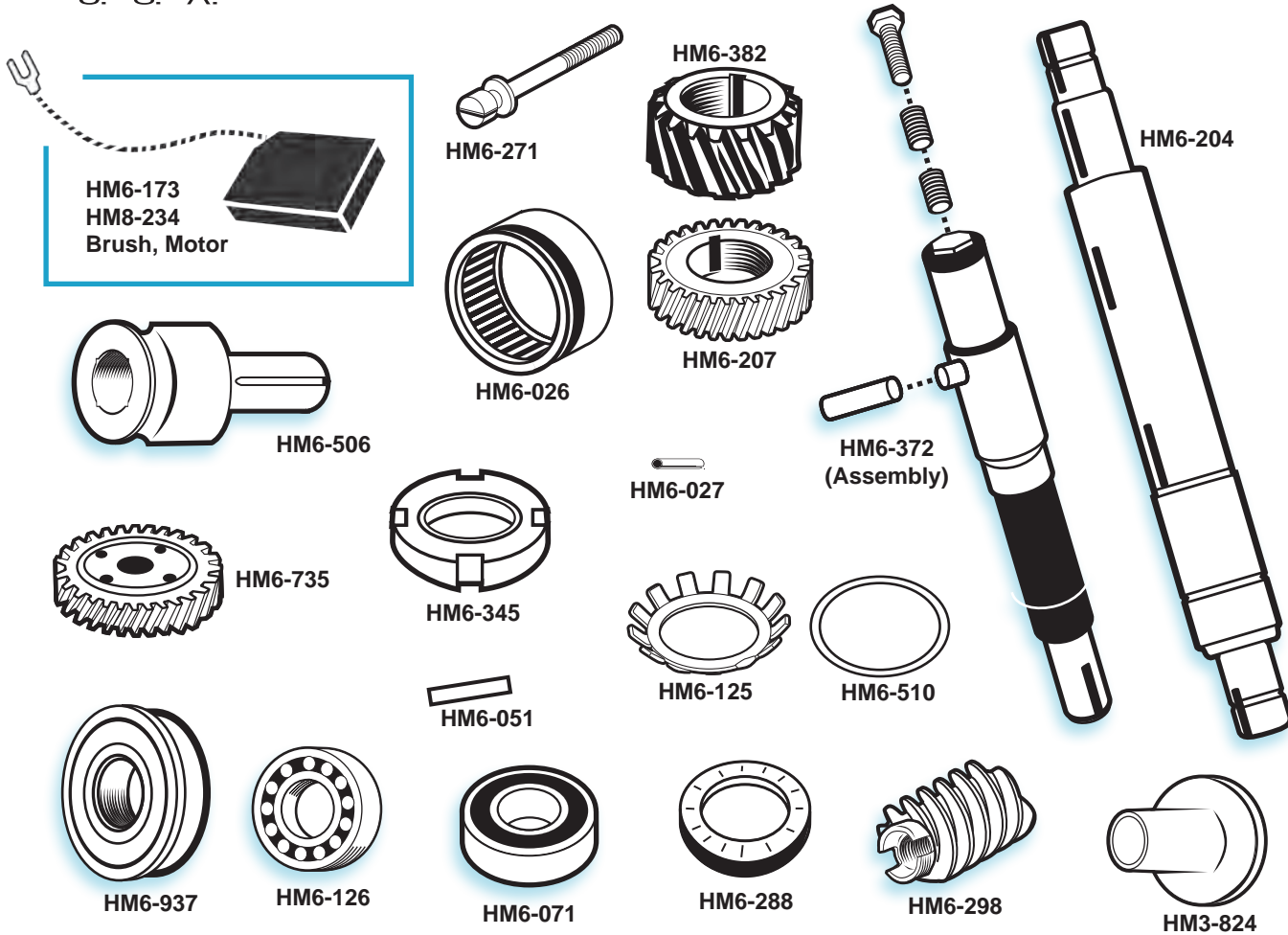
ALFA #	OEM #	DESCRIPTION	FITS MODELS
HM2-170	N/A	Brush, Motor	A200
HM2-218	BB-20-18	Planetary Bearing	A120 & A200
HM2-248	87711-248	Switch - Bowl Height	A200
HM2-271	438527-1	Front Shoe - Bowl Guard	A200
HM2-272	438527-2	Fixed Shoe - Bowl Guard	A200
HM2-273	438527-3	Adjustable Shoe- Bowl Guard	A200
HM2-388	120388	On/Off Switch	A120 & A200
HM2-401	77401	Knob for Shifter Handle	A120 & A200
HM2-421	87714-42-1	Relay Switch - 2 Pole - Motor	A200
HM2-525	438525	Magnet Retainer	A200
HM2-539	438539	Cage Bumper	A200
HM2-718	70487-18	Capacitor - Motor	A200
HM2-734	124734	Planetary Shaft (New Style)	A120 & A200
HM2-749	291748	Timer Knob	A200T & H600T

The above parts are sold by Alfa International as replacement parts for Hobart Mixers. Alfa is not affiliated with Hobart.



PARTS FOR HOBART MIXERS

Models H600, P660, L800, M802 and V1401



ALFA #	OEM #	DESCRIPTION	FITS MODELS
HM3-824	917221	Plug - Attachment Hub	D300, H600, M802, V1401
HM6-026	RN-2-6	Needle Bearing	P660, H600, L800
HM6-027	RP-2-6	Roll Pin (5 in a pack)	H600, L800, P660
HM6-051	12430-51	Key, Worm Gears	P660, H600, L800
HM6-071	BB-7-1	Bearing, Agitator Shaft, Lower	P660
HM6-125	WL-12-5	Lock Washer	P660, H600, L800
HM6-126	BB-12-7	Bearing Worm Shaft Lower	H600, L800
HM6-173	N/A	Brush, Motor	H600, L800
HM6-204	24204	Shaft, Worm Gear	P660 H600 L800
HM6-207	24207	Gear, Worm Shaft, Upper	H600, L800, P660, M802, V1401
HM6-271	439271	Screw, Special, LH	P660, H600, L800
HM6-288	292288	Seal, Agitator Shaft	P660
HM6-298	24298	Motor Worm	H600, L800 (50 Hz)
HM6-345	NS-34-5	Lock Nut	P660, H600, L800
HM6-372	64137-2	Shaft, Agitator	P660
HM6-382	121382	Gear Lower Worm Shaft, 17T	P660 H600 L800
HM6-506	61506	Square Drive	H-600, P660
HM6-510	RR-5-10	Ret Ring, Worm Shaft	P660, H600, L800
HM6-735	24735	Worm Gear, 31T (4 Mounting Holes)	H600 (60HZ ONLY) L800 (50HZ ONLY)
HM6-937	BB-9-37	Bearing Worm Shaft Upper	P660 H600 L800
HM8-234	N/A	Brush, Motor	M802, V1401

The above parts are sold by Alfa International as replacement parts for Hobart Mixers. Alfa is not affiliated with Hobart.

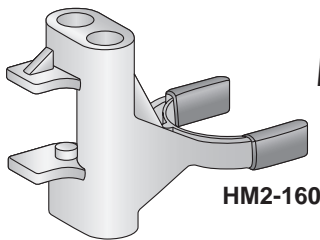
Mixer Agitator Applications

ATTACHMENT	APPLICATION	FOOD PRODUCTS	RECOMMENDED SPEEDS
“B” Style Flat Beater	<ul style="list-style-type: none"> Multi purpose agitator 	<ul style="list-style-type: none"> Mashing potatoes Mixing cake batter Icings 	<ul style="list-style-type: none"> Use 1st speed for starting Medium speed for finishing
“D” Style Wire Whip	<ul style="list-style-type: none"> Maximum blending of air into light products 	<ul style="list-style-type: none"> Whipping cream Beating egg whites 	<ul style="list-style-type: none"> 3 speed mixers: 2nd & 3rd speeds 4 speed mixers: 3rd & 4th speeds
“E” Style J Dough Hook	<ul style="list-style-type: none"> Mixing and Folding Stretching dough in 5-40 qt. mixers 	<ul style="list-style-type: none"> Breads Pizza Dough Cookie Dough 	<ul style="list-style-type: none"> 2 & 3 speed mixers: 1st & 2nd speeds 4 speed mixers: 1st, 2nd & 3rd speeds
“ED” Style Spiral Dough Hook	<ul style="list-style-type: none"> Mixing and Folding Stretching dough in 20-140 qt. mixers 	<ul style="list-style-type: none"> Breads Pizza Dough 	<ul style="list-style-type: none"> 2 & 3 speed mixers: 1st & 2nd speeds 4 speed mixers: 1st, 2nd & 3rd speeds
“P” Style Pastry Knife	<ul style="list-style-type: none"> Cutting action for combining ingredients 	<ul style="list-style-type: none"> Pastry dough Pie dough 	<ul style="list-style-type: none"> For stirring, use low speeds For cutting, use medium speeds

MIXERS

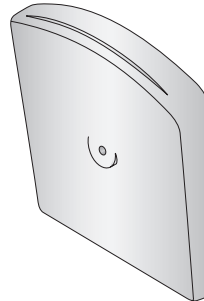
PARTS FOR HOBART MIXERS

Models A120, A200, D300 and H600 Series

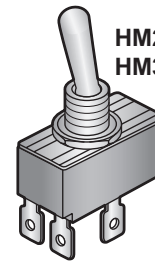


HM2-160

HM2-326



HM2-431
HM3-229



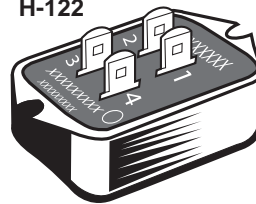
HM2-821

NEW FOR 2017

HM2-536
Bearing Bracket

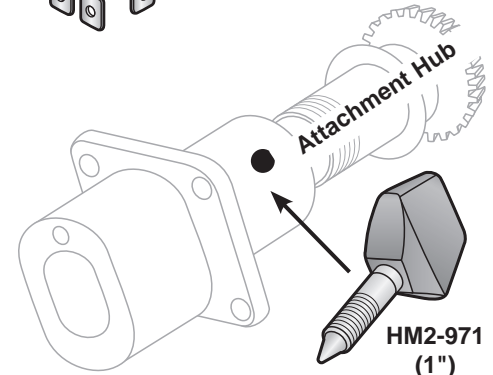


H-122



HM3-411 Bowl
Locating Pin

HM3-085



HM2-971
(1")

FITS MODELS

ALFA #	HOBART#	DESCRIPTION	A120	A200	D300	H600
HM2-160	00-013160	Yoke Shifter	X	X	X	
HM2-326	289326	Trans Case Cap Trim			X	
HM2-431	875567	Toggle Switch	X	X		
NEW HM2-536	438536-00002 (or 438536-2)	Bearing Bracket (Cover for Rear of Mixer)	X	X		
HM2-821	291821	On/Off Toggle Switch in New Plate	X	X		
HM2-971	108197-1	Thumb Screw Assembly (1" Shaft)	X	X	X	X
HM3-085	70085	Knob Shifter Handle			X	
HM3-229	87711-229	Toggle Switch			X	
NEW HM3-411	070411	Bowl Locating Pin, also fits D340			X	
H-122	271612-2	Switch Start			X (1Ph)	

The above parts are sold by Alfa International as replacement parts for Hobart Mixers. Alfa is not affiliated with Hobart.

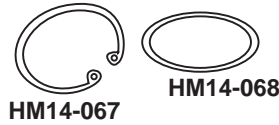
PARTS FOR HOBART MIXERS

Models H600, P660, L800, M802 and V1401



HM14-117
Clutch Disc

NEW PART!

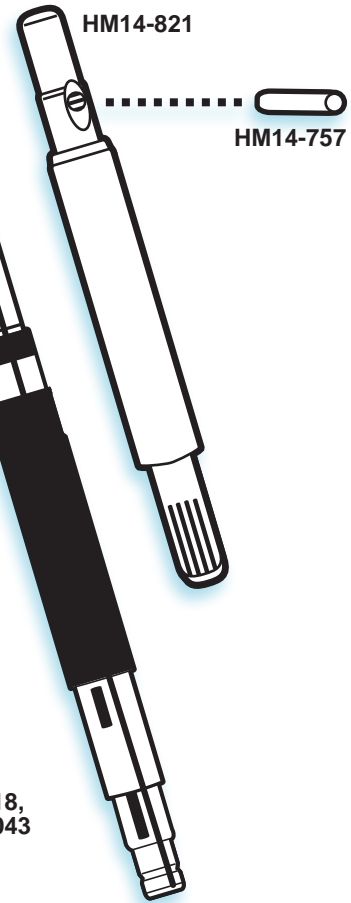


HM14-067

HM14-068

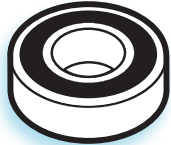


HM14-944



HM14-821

HM14-757



HM14-945
HM8-061



HM8-247

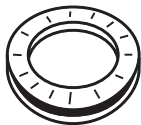


HM8-670



HM8-937

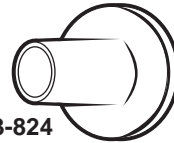
HM8-221



HM14-045



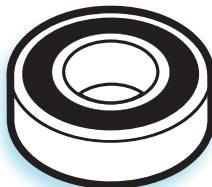
HM6-207



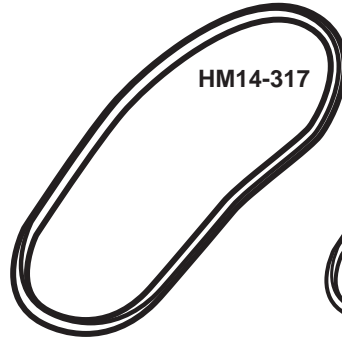
HM3-824



HM8-746



HM14-016



HM14-317



HM8-318,
HM14-043

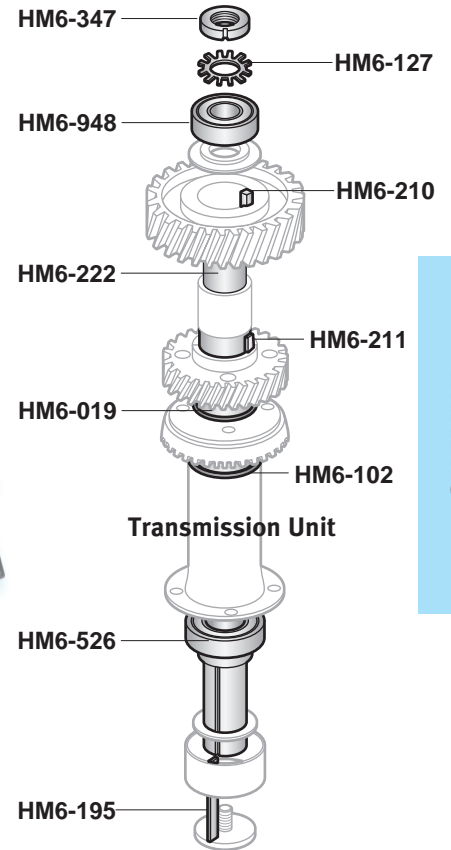
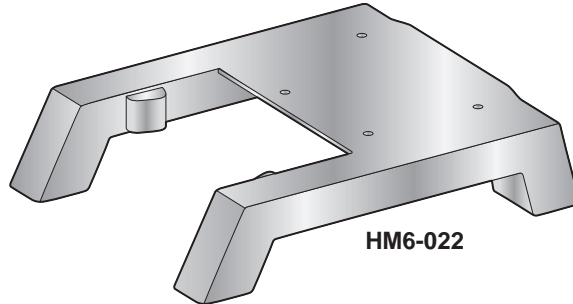
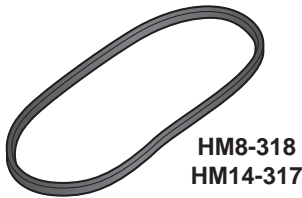
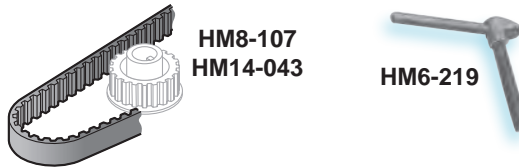
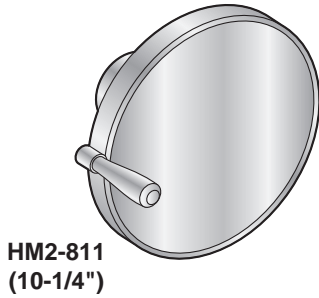
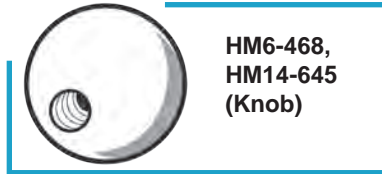
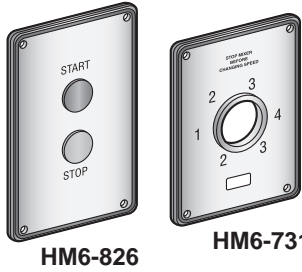
ALFA #	OEM #	DESCRIPTION	FITS MODELS
HM3-824	114824-1	Plug - Attachment Hub	D300, H600, M802, V1401
HM6-207	24207	Gear, Worm Shaft, Upper	H600, L800, P660, M802, V1401
HM8-061	BB-6-1	Bearing, Lower Main	M802
HM8-221	74221	Shaft, Main Drive	M802, V1401
HM8-247	RR-4-7	Ret. Ring, Worm Shaft, Lower	M802, V1401
HM8-318	BV-13-18	Flex Belt	M802
HM8-670	64670	Key, Upper Main	M802, V1401
HM8-746	BB-7-46	Bearing, Upper Main	M802, V1401
HM8-937	120937	Key, Upper Main	M802, V1401
HM14-016	BB-10-16	Bearing, Lower Main	M802, V1401
HM14-043	68043	Belt Flex "A" Gear	V1401
HM14-045	68045	Seal, Agitator Shaft	V1401
HM14-067	RR-6-7	Ret. Ring, Lower Clip	V1401
HM14-068	RR-6-8	Ret. Ring, Upper	V1401
NEW HM14-117	873117	Inner Clutch Disc	M802, V1401
HM14-317	BV-13-17	Flex Belt	V1401
HM14-757	77757	Pin, Agitator Shaft	V1401
HM14-821	73821	Shaft, Agitator	V1401
HM14-944	BB-9-44	Bearing, Upper Agitator	V1401
HM14-945	BB-9-45	Bearing, Lower Agitator	V1401

The above parts are sold by Alfa International as replacement parts for Hobart Mixers. Alfa is not affiliated with Hobart.



PARTS FOR HOBART MIXERS

Models H600, P660, L800, M802 and V1401



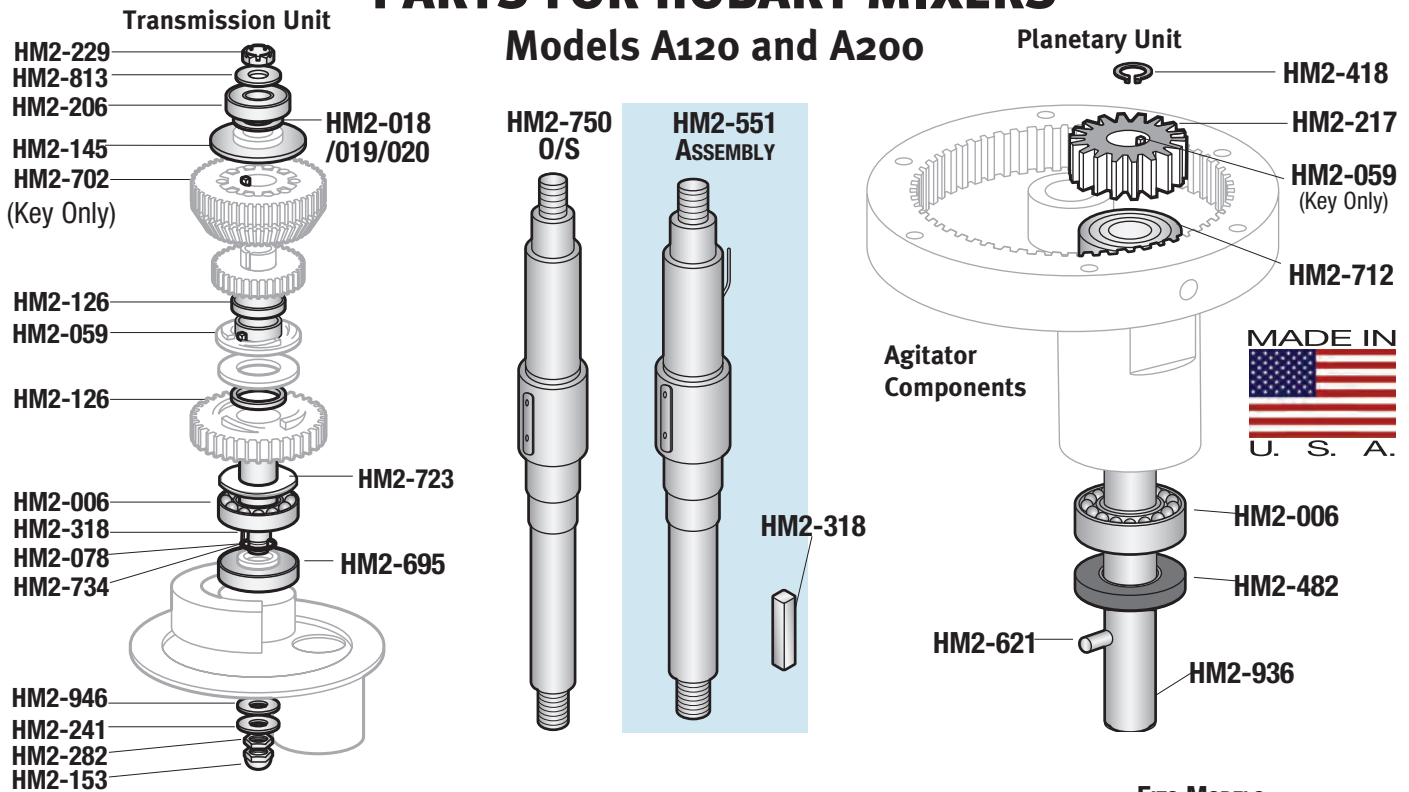
MIXERS

ALFA #	HOBART#	DESCRIPTION	H 6 0 0	P 6 6 0	L 8 0 0	M 8 0 2	V 1 4 0 1
HM2-198	24198	Nut-Bowl Lift Screw - Brass	X	X	X		
HM2-322	68322	Nut-Bowl Lift - Brass				X	X
HM2-811	78181	Handwheel and Handle Assembly	X	X	X	X	X
HM2-972	108197-2	Thumb Screw 1-1/2" (#22 Hub)			X	X	X
HM6-019	67500-19	"O" Ring-Bevel Gear	X		X		
HM6-022	110222-2	Mixer Base - New Style for Older Machines	X	X	X		
HM6-102	67500-102	Chimney "O" Ring	X		X		
HM6-127	WL-12-7	Planetary Shaft Lock Washer	X		X		
HM6-195	12430-195	Lower Planetary Key	X		X		
HM6-210	12430-210	Upper Planetary Key	X		X		
HM6-211	12430-211	Planetary Shaft Key	X		X		
HM6-219	65922-19 & -20	Mixer Bowl Clamp	X		X	X	X
HM6-222	24222	Planetary Shaft	X		X		
HM6-347	NS-34-7	Planetary Shaft Lock Nut	X		X		
HM6-468	60468	Shift Knob (S) / Lift Knob (L)	S	S	S	L	L
HM6-526	BB-15-26	Lower Planetary Bearing	X		X		
HM6-731	117873-1	Shifter Plate	X		X		
HM6-826	291826	Switch (On/Off Switch + Plate)	X	X	X		
HM6-948	BB-9-48	Upper Planetary Bearing	X		X		
HM8-107	065107	Gear Belt Flex				X	
HM8-318	BV-13-18	Power Bowl Lift Unit Belt				X	
HM14-043	068043	Gear Belt Flex					X
HM14-317	BV-13-17	Power Bowl Lift Unit Belt					X
HM14-645	64645	Gear and Clutch Knob				X	X

The above parts are sold by Alfa International as replacement parts for Hobart Mixers. Alfa is not affiliated with Hobart.

PARTS FOR HOBART MIXERS

Models A120 and A200



FITS MODELS

ALFA #	HOBART#	DESCRIPTION (O/S = OLD STYLE N/S = NEW STYLE)	A120	A200
HM2-006	BB-020-6	Planetary Bearing	X	X
HM2-018	WS-010-18	Bearing Shim Washer (.002")	X	X
HM2-019	WS-010-19	Bearing Shim Washer (.003")	X	X
HM2-020	WS-010-20	Bearing Shim Washer (.010")	X	X
HM2-059	12430-59	Upper Clutch Sleeve Key	X	X
HM2-078	67500-78	"O" Ring (Pkg./5)		X
HM2-126	12695	Bronze Clutch Gear Bearing	X	X
HM2-145	107145	Planetary Shaft Spacer	X	X
HM2-153	24715-3	Acorn Nut 1/2" -20	X	X
HM2-206	BB-20-18	Ball Bearing	X	X
HM2-217	00-015217	Pinion Beater Gear (19T)	X	X
HM2-229	NS-32-29	Stop Nut 1/2" -20 Flex Lock	X	X
HM2-241	WS-24-1	Retaining Washer (Pkg./10)		X
HM2-282	10928-2	Special Nut	X	X
HM2-318	12430-17	Key (Lower)	X	X
HM2-418	RR-004-18	Retaining Ring	X	X
HM2-482	23482	Oil Seal		X
HM2-551	24551	Center Planetary Shaft Assembly Unit (Includes HM2-750 plus Arm, Spring & Rivet) O/S		X
HM2-621	65062-1	Agitator Shaft Pin, Dowel		X
HM2-695	114695	Oil Seal	X	X
HM2-702	109070-2	Key (Middle)	X	X
HM2-712	BB-17-12	Bearing		X
HM2-723	12723	Lower Spacer	X	X
HM2-734	124734	Shaft - Planetary (N/S) with 2 Keys	X	X
HM2-750	12750	Shaft - Planetary (O/S with Grooves)		X
HM2-813	WS-008-13	Plain Washer (Pkg./10)	X	X
HM2-936	113936	Sub-Assembly - Agitator Shaft		X
HM2-946	124946	Fiber Washer (Pkg./10)	X	X

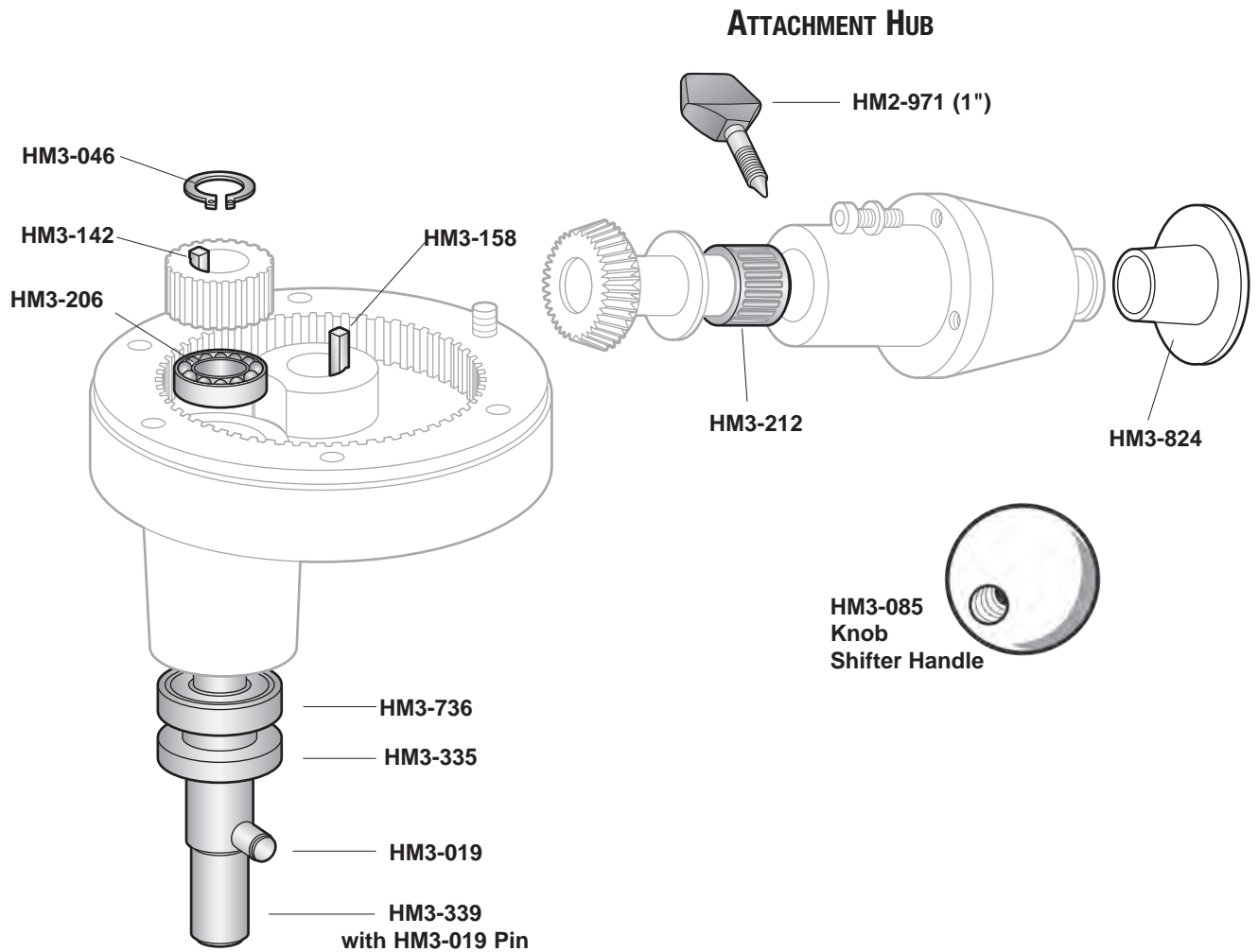
The above parts are sold by Alfa International as replacement parts for Hobart Mixers. Alfa is not affiliated with Hobart.



PARTS FOR HOBART MIXERS

PLANETARY and ATTACHMENT HUB UNIT

Model D300



MIXERS

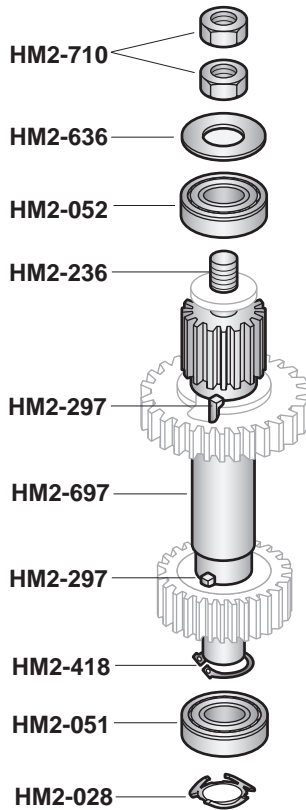
ALFA #	HOBART #	DESCRIPTION (ALL FOR MODEL D300)
HM2-971	108197-1	Thumb Screw Assembly (1" Shaft) - Also Fits A120, A200, H600 Models
HM3-019	70019	Agitator Pin
HM3-046	RR-4-6	Upper Agitator Shaft Retaining Ring
HM3-085	70085	Knob-Shifter Handle (D300 Series)
HM3-142	12430-142	Agitator Shaft Pinion Key
HM3-158	12430-158	Lower Planetary Key
HM3-206	BB-20-6	Top Agitator Shaft Bearing
HM3-212	BN-2-12	Hub Nose Attachment Needle Bearing
HM3-335	110335	Agitator Shaft Seal
HM3-339	70339	Planetary Agitator Shaft Assembly (includes HM3-019 Pin)
HM3-736	BB-17-36	Bottom Agitator Shaft Bearing
HM3-824	917221	Plug - Attachment Hub (Also fits mixers H600, M802 & V1401)

The above parts are sold by Alfa International as replacement parts for Hobart Mixers. Alfa is not affiliated with Hobart.

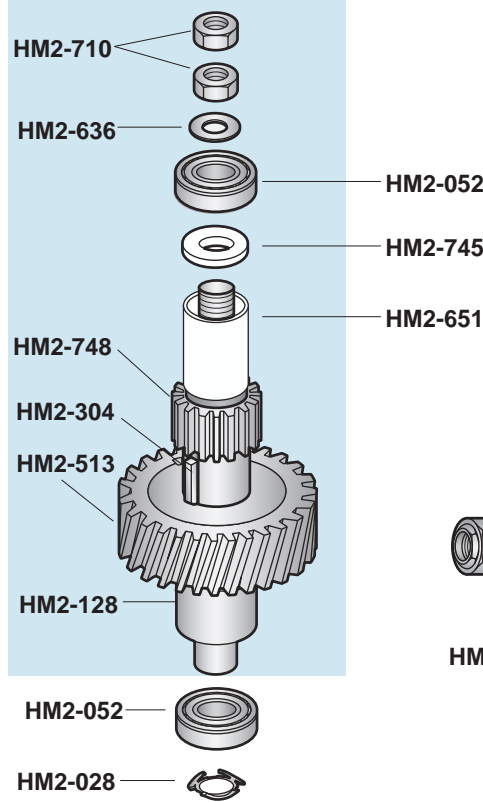
PARTS FOR HOBART MIXERS

Transmission Gear Unit – Models A120 and A200

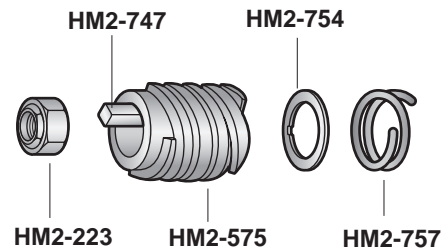
Transmission Gear Unit



HM2-615 Shaft Service Kit



Motor Gear



ALFA #	HOBART#	DESCRIPTION	FITS MODEL SERIES	
			A 120	A 200
HM2-028	SL-002-08	Loading Spring (package of 10)	X	X
HM2-052	BB-005-02	Ball Bearing (Not included in HM2-615 Kit)	X	X
HM2-223	NS-032-23	Lock Nut for Motor Gear Worm	X	X
HM2-236	291236	Steel Transmission Shaft (15T)	X	X
HM2-297	435297	Transmission Shaft Gear Key		X
HM2-418	RR-4-18	Retaining Ring	X	X
HM2-575	291221	Steel Worm Gear (5T) (60 HZ) for Motor 437575	X	X
HM2-651	124765-1	Spacer 3/4" - Worm Wheel Shaft (Not included in HM2-615 Kit)	X	X
HM2-697	12697	Lower Spacer (1-1/2")	X	X
HM2-747	12747	Worm Key		X
HM2-754	12754	Motor Gear Washer	X	X
HM2-757	12757	Motor Shock Absorber Spring	X	X
HM2-615	293615	Worm Wheel Shaft Service Kit: Includes all parts listed below*	X	X
HM2-128	291128	Worm Wheel Shaft	X	X
HM2-304	12430-4	Key	X	X
HM2-513	124751-3	Bronze Worm Wheel Gear and Bushing (60 HZ)	X	X
HM2-636	WS-006-36	Retaining Washer (Pkg./10) (1 in Kit)	X	X
HM2-710	12710	Retaining Nut	X	X
HM2-745	124745	Worm Wheel Shaft Washer (Not included in HM2-615 Kit)	X	X
HM2-748	124748	Steel Gear (15T)		X

*Note: HM2-615 Kit includes 1 ea. HM2-636 Retaining Washer. HM2-636 package of 10 available separately.

The above parts are sold by Alfa International as replacement parts for Hobart Mixers. Alfa is not affiliated with Hobart.

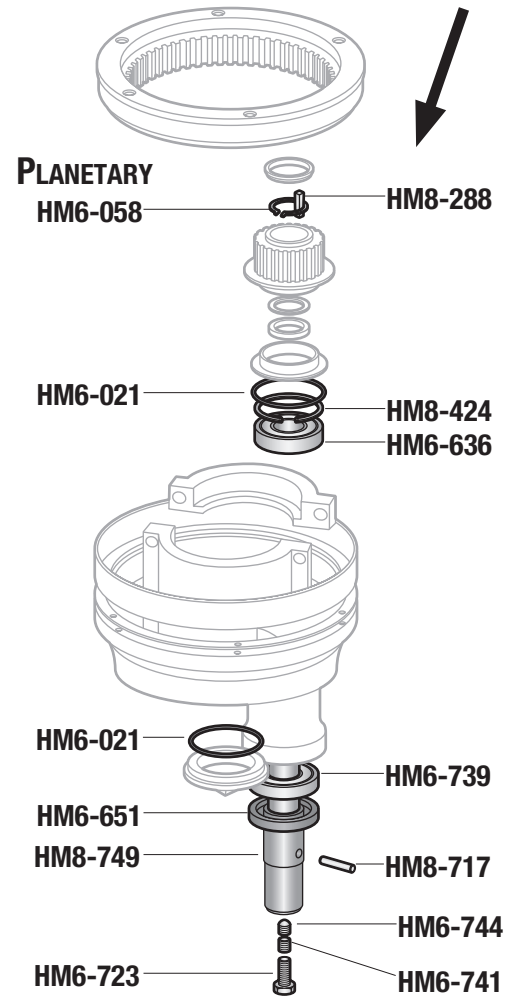
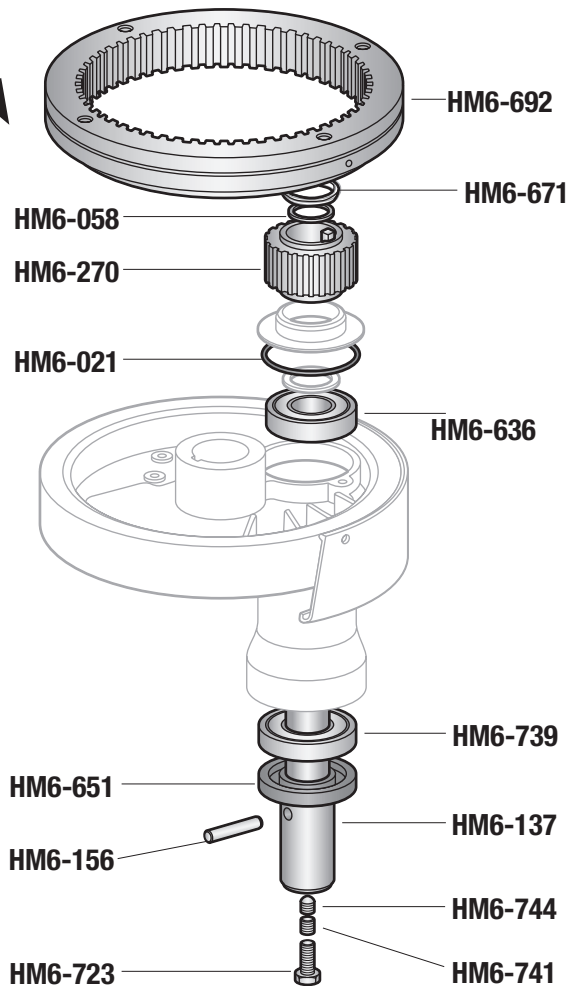
PARTS FOR HOBART MIXERS

PLANETARY UNITS

Models H600, P660, L800, M802 and V1401

FOR MODELS
H600, L800
& P660

FOR MODELS
M802 &
V1401



MIXERS

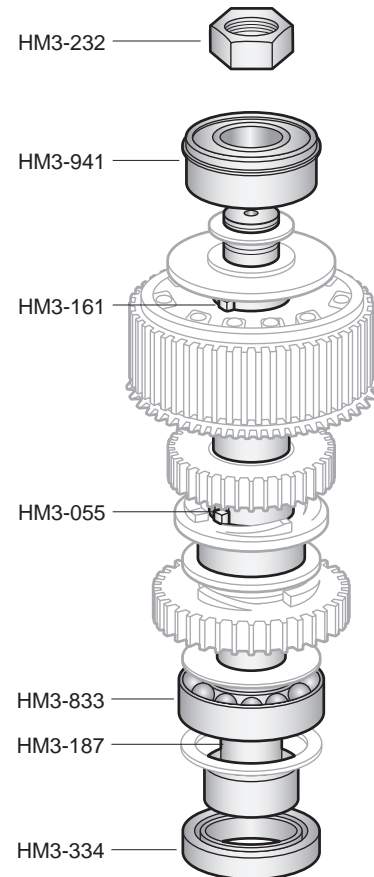
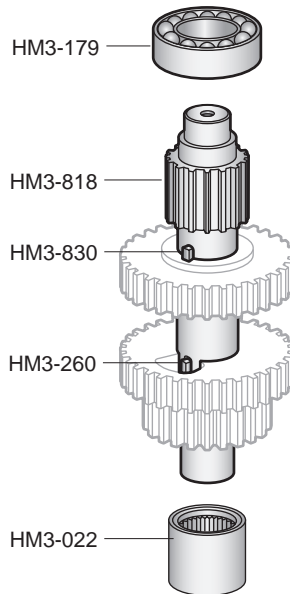
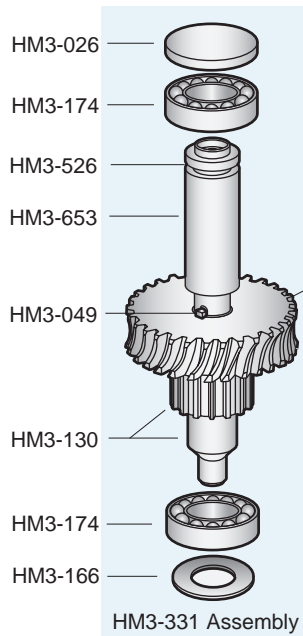
ALFA #	HOBART#	DESCRIPTION	FITS MODELS			
			P660/ H600	L800	M802	V1401
HM6-021	67500-21	Agitator Shaft "O" Ring	X	X	X	X
HM6-058	RR-5-8	Agitator Shaft Retaining Ring	X	X	X	
HM6-137	64137	Complete Planetary Agitator Shaft Assembly	X	X		
HM6-156	111156	Planetary Agitator Shaft Pin	X	X		
HM6-270	24270	Internal Steel Pinion	X	X		
HM6-636	BB-6-36	Upper Agitator Shaft Bearing	X	X	X	
HM6-651	24651	Planetary Seal	X	X	X	
HM6-671	60071	Cap - Oil Retaining	X	X	X	X
HM6-692	437692	Internal Gear (59T)	X	X		
HM6-723	64723	Agitator Shaft Plug Screw	X	X	X	X
HM6-739	BB-7-39	Lower Agitator Shaft Bearing	X	X	X	
HM6-741	SC-47-41	Set Screw	X	X	X	X
HM6-744	7744	Cone Point Set Screw	X	X	X	X
HM8-288	74288	Internal Pinion Key	X	X	X	
HM8-424	RR-4-24	Retaining Ring			X	X
HM8-717	65717	Planetary Agitator Pin			X	
HM8-749	65749	Agitator Shaft Assembly includes HM6-723, HM6-741, HM6-744 and HM8-717			X	

The above parts are sold by Alfa International as replacement parts for Hobart Mixers. Alfa is not affiliated with Hobart.

PARTS FOR HOBART MIXERS

TRANSMISSION UNIT

Model D300



ALFA #	HOBART #	DESCRIPTION
HM3-022	BN-2-2	Transmission Shaft Needle Bearing
HM3-026	70026	Pusher Bearing
HM3-034	70034	Bronze Gear Worm (29T / 60HZ)
HM3-049	12430-49	Worm Gear Shaft Key
HM3-055	12430-55	Middle Planetary Shaft Key
HM3-130	291130	Worm Gear Shaft
HM3-161	12430-161	Upper Planetary Shaft Key
HM3-166	70166	Worm Shaft Spring Washer
HM3-174	BB-17-4	Transmission Drive Shaft Bearing
HM3-179	BB-17-9	Upper Transmission Shaft Bearing
HM3-187	71187	Planetary Shaft and Bushing Assembly
HM3-232	NS-32-32	Stop Nut - Transmission LH Thread. "Flexloc"
HM3-260	70260	Lower Transmission Shaft Key
HM3-331	270533-1	Worm Gear Shaft and Bearing Assembly (60HZ), includes HM3-174 (2), HM3-653, HM3-526, HM3-130, HM3-049, HM3-034 and HM3-166
HM3-334	110334	Planetary Shaft Seal
HM3-526	270526	Worm Gear Shaft Step Spacer
HM3-653	124765-3	Long-Worm Gear Shaft Gear Spacer
HM3-818	89818	Transmission Shaft
HM3-830	89830	Upper Transmission Shaft Key
HM3-833	BB-8-33	Lower Planetary Bearing
HM3-941	BB-9-41	Upper Planetary Bearing with Groove and Snap Ring

The above parts are sold by Alfa International as replacement parts for Hobart Mixers. Alfa is not affiliated with Hobart.

**Ask Us About
BULK PRICING
& Save BIG
Today!**

Meat Slicers

<i>MEAT SLICER TIPS AND ADVICE</i>	32
<i>MEAT SLICER BLADES/KNIVES</i>	33-35
<i>BLADE SAFETY COVERS</i>	35
<i>KNIFE SHARPENING STONES</i>	36
<i>STONE CLEANING TOOL</i>	36
<i>PARTS FOR BIZERBA SLICERS</i>	37-39
<i>PARTS FOR BERKEL SLICERS</i>	40-48
<i>PARTS FOR GLOBE SLICERS</i>	49-60
<i>PARTS FOR HOBART SLICERS</i>	61-68

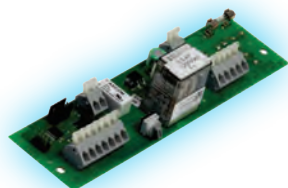
For tips and advice on the use and maintenance of your meatslicer, see the opposite side of this tab page

Visit us online at www.alfaco.com

A Last Minute Addition to the

2017 **ALFA** Catalog! NEW BIZERBA SLICER PARTS!

**NEW FOR
2017**



BIZ-LPBNEW



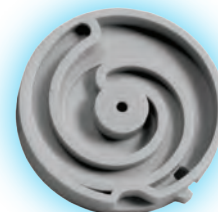
BIZ-LPBOLD



BIZ-9401



BIZ-0400



BIZ-5601



BIZ-BUMPER

ALFA #	OEM #	DESCRIPTION	FITS MODELS
BIZ-BUMPER	60370102500	Shock Absorber Bumper	SE12 & SE12D
BIZ-LPBNEW	60377020000	LPB On/Off Board (New Style)	New Style SE12
BIZ-9401	60370119401	Bizerba Slice Thickness Knob	SE12
BIZ-0400	60610000400	Rubber Foot	GSP-HD
BIZ-5601	60370105601	Bizerba Slice Thickness Cam	SE12
BIZ-LPBOLD	60375301105	Bizerba LPB On/Off Board (Old Style)	Old Style SE12

*The above parts are sold by Alfa International as replacement parts for Bizerba Slicers.
Alfa is not affiliated with Bizerba.*

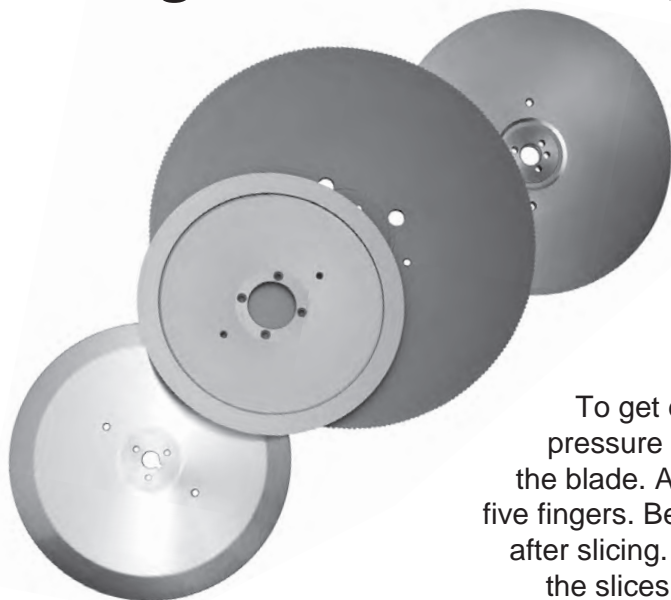
**For more parts
for Bizerba
machines, see
pages 35-39**

MEATSLICER TIPS & ADVICE

Slicer Cleaning

Electric meat slicers should be thoroughly wiped down with a damp cloth after each use. In addition, the meat slicer should be cleaned once a week with a tasteless, odorless, food-grade machine oil (see pp. 120-121). DO NOT hold a cleaning rag on the side of a spinning blade to clean it.

Slicing Meat and Cheese / Best Practices



Cold meat and cheese slice easier and more evenly. For meats, cook it, cool it, wrap it and stick it straight in the fridge for a day.

Start your slicing with a flat even surface. Roast meats are not uniform in shape so you need to have a stable surface to start slicing.

Wipe your slicer surfaces down with vegetable oil BEFORE slicing. Have pity on your kitchen geeks: it makes cleanup MUCH easier.

To get even slices, you have to hold the meat still with even pressure on THREE sides so it has nowhere to go except into the blade. And mind the gap on the push plate so you keep your five fingers. Be ready to package your product as soon as possible after slicing. Sliced proteins dry out quickly so while cutting stack the slices so no one side of product is exposed to air too long.

MEAT SLICER KNIVES

Manufactured by



Precision-crafted G&B knives are made in Germany from the finest steel. These blades are heat-treated by a patented, computer-controlled flame hardening process. The result of this engineering is the longest wearing knife on the market – the quality standard for original equipment manufacturers and service professionals throughout the world.

MEAT SLICER KNIVES

ALFA
EXCLUSIVE

"The Better Blade"

MANUFACTURED in GERMANY

ALFA #	GLOBE #	FITS GLOBE MODELS	DIAMETER	MOUNTING HOLES
1021-C	1021	3600, 3850, 3975, 4600, 4850, and 4975 (Hollow Ground)	11-1/2"	3
1022-S	1022	3600, 3850, 3975, 4600, 4850, and 4975 (Hollow Ground)	11-1/2"	3
150G HC	510	75,150, 260, 510, 610, 660, 710, 760, 810 (Ring)	11-7/16"	12
285 HC	746-BP	285, 300, 400, 500, 685, 715, 720, 725, 765, 770, 775, 815, 820, 825, 850LR, 875, 875RL, 2500, 2700, 2750, 2850, 2875, 3500, 3750, 3875V, 4500, 4750, 4875 and All "L" and "SL" Models	11-1/2"	6
285 SS	746 SS-BP	Same as above	11-1/2"	6
963-C	963-HC	Same as above (Hollow Ground Style)	11-1/2"	6
963-SS	963-S	Same as above (Hollow Ground Style)	11-1/2"	6
NEW C12 HC	M047	C12, G12, G12A, GC12B, GC12BA, SCR12	12"	3"
CM9 HC	56	CHEFMATE GC9 (OEM)	9"	3
CM10 HC	57	CHEFMATE GC10 and G10 (OEM)	10"	3
CM12 HC	58	CHEFMATE GC12, GS12D	12"	3
CM512 SS	A281	CHEFMATE GC512	12"	4
3600P HC	460026	3600P, 3600N, 3850N, 3975N, 4600N, 4975N, 4913N and other "P" Series Slicers	13"	3
3600P SS	460027	Same as above	13"	3

ALFA #	BERKEL #	FITS BERKEL MODELS	DIAMETER	MOUNTING HOLES
808 HC	3675-00074	807, 817, 808, 818, 909, 909-1, 909C, 909CI, 909ES, 909FA, 919FS, 919, 2340, 2350	12-1/2"	0
808 SS	3675-00070	Same as above	12-1/2"	0
6509 HC	823-00073	823, 823A, 823E, 4510 (Made in Italy)	9"	3
8510 HC	825-00073	825, 825A, 825E (Made in Italy)	10"	3
G12 HC	827-00073	827, 827A (Made in Italy) – Not for Model 827E – see below	12"	4
G12 SS	N/A	827, 827A (Made in Italy) – Not for Model 827E – see below	12"	4
827E HC	827E-00073	827E	12"	3
834 SS*	3501-09447	829, 834, 834EP, EPB, EPBS, S, VS, BERKELETTE	11-5/8"	4
180 SSN	3675-00158	910, 915, 115, 180, 180D, E, F, FA, GS (Stacker)	14-1/2"	3
X13 SS	3675-00277	All X13 Models (A, E, AE, etc.)	13"	0
829 SS	829-00073	829A, 829E, 839, 839A	14"	4

* Available while current inventory lasts

ALFA #	HOBART #	FITS HOBART MODELS	DIAMETER	MOUNTING HOLES
0512 SS	439870-2	512, 512BMS	11-3/4"	3
8510 HC	292499	610 (Made in Italy)	10"	3
1612 HC	N/A	1612, 1612E, 1612EC, 1712, 1712E, 1712EC, 1712R, 1812, 1912	11-3/4"	0
1612 SS	275913-1	1612, 1612E, 1612EC, 1712, 1712E, 1712EC, 1712R, 1812, 1912	11-3/4"	0
28/1612 SS	439870-00005	Same as above plus 2612, 2712, and all Series 2000 (Hollow Ground)	11-7/8"	0
NEW EDGE HC-4	915424/479446	2015 and Later EDGE Models	12"	4
EDGE HC-12	00-479446	EDGE Models	12"	3
3000 SS	00-914753	3613, 3713, 3813, 3913, HS6, HS7, HS8, HS9 (Made in Italy; does NOT fit "N"-suffix models)	13"	2

C and HC = Hard Chrome Finish S and SS = Stainless Steel

Note: Alfa strongly recommends that slicer blades be installed by qualified service technicians only.

The above parts are sold by Alfa International as replacement parts for Hobart, Berkel and Globe Slicers. Alfa is not affiliated with these firms

ISO
CERTIFIED



MEAT SLICER KNIVES

MANUFACTURED in GERMANY

MOUNTING ALFA #	BIZERBA #	FITS BIZERBA (BIRO) MODELS	DIAMETER	MOUNTING HOLES
G12 HC	40110000016	G12, SE255, A301, GSG-12, GSG12A, 300B, Manconi Kolossal	12"	4
G12 SS	40110000045	G12, SE255, A301, GSG-12, GSG12A, 300B, Manconi Kolossal	12"	4
G13 HC	94001000014	G13, SE355, SE128, A330FB, A330, A400, A404 & 1994, GSP, SE8, SE12, SG8D, VS8, VS8D, VS8F, VS8A, VS12	13"	4
G13 HC CHEESE *	* Bizerba #: 9400100017	Special for Cheese - fits all above	13"	4
G13 SS	40310000021	Same as above	13"	4
SE8 SS	40220007200	Pre-1994 SE8, SE8L, SG8D, VS8, VS8D, VS8F	13"	3
VS12F-HC	94001000021, 94001000022 (Old)	VS12 F	13.75"	4

NEW

ALFA #	UNIVEX #	FITS UNIVEX AND INTEDGE MODELS	DIAMETER	MOUNTING HOLES
6509 HC	070150	6509 (Intedge UL-9)	9"	3
7510U HC	75100009	7510	10"	3
7512 HC	75120009	7512 (Old Style)	12"	3
7512-4 HC	8512228	7512, 6612	12"	4
8510 HC	070128	8510 (Intedge UL-10), 4510	10"	3
G12 HC	8512228HC	6512, 8512, 9512, Newer 7512	12"	4
G12 SS	8512228	6512, 8512, 9512	12"	4

NEW

ALFA #	FITS FLEETWOOD MODELS (ITALY)	DIAMETER	MOUNTING HOLES
6509 HC	220AS	9"	3
8510 HC	250AS, 265	10"	3
G12 HC	312, 412, 1312, 1412, BF300, 312E, A300	12"	4
G12 SS	312, 412, 1312, 1412, BF300, 312E, A300	12"	4

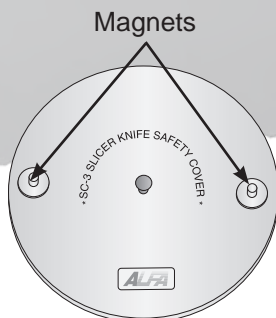
ALFA #	FITS GENERAL MODELS (RENINGHAUS)	DIAMETER	MOUNTING HOLES
6509 HC	SM-9B	9"	3
8510 HC	SM-10A	10"	3

HC and C = Carbon Steel with Hard Chrome Finish. SS and S = Stainless Steel - Rust Resistant. A blade with a Hard Chrome finish will be easier to sharpen and stay sharper longer, but may rust. A Stainless Steel blade will not rust. Stainless Steel blades are the most popular on Hobart and Berkel slicers, while most Globe slicers use Hard Chrome blades. Installation of a new blade may require changing bearings, shims and any other worn components to avoid blade wobble.

Note: Alfa recommends that slicer blades be installed by qualified service technicians only. Always replace both sharpening stones when replacing a blade.

The above parts are sold by Alfa International as replacement parts for Univex, Intedge, Bizerba, Fleetwood and General Slicers. Alfa is not affiliated with these firms.

MEAT SLICERS



SLICER KNIFE SAFETY COVER

EFFECTIVE – The most common Slicer injury occurs when the Knife is exposed for service or cleaning. Using a Safety Cover whenever the Knife is exposed will help prevent loss of time and money due to injury.

SIMPLE – Molded in lightweight, durable yellow polystyrene plastic, these covers attach in seconds with built-in magnets. They are dishwasher safe and easily stored.

ALFA #	Fits KNIFE SIZE
SC1	10"
SC2	12-1/2"
SC3	11" and 12"

SHARPENING STONES

MANUFACTURED in GERMANY



High quality Alfa sharpening and truing stones are manufactured by skilled craftsmen in Germany. These stones are used as original equipment by many slicer manufacturers and will last longer and stay cleaner than other brands.

ALFA #	GLOBE #	FITS GLOBE MODELS
GC9S	5	GC9, GC10
GC9 T	7	GC9, GC10
GC12 S	6	GC12
GC12 T	8	GC12
CM512 S	A320	GC512, GC12D
CM512 T	A330	GC512, GC12D
075 SG	214A	75, 150, 260, 285, 300, 400, 500, 500L, 610, 660, 685, 710, 715, 720, 725, 725L, 760, 765, 770, 775, 775L, 810, 815, 820, 825, 850LR, 875, 875RL, 2500, 2700, 3500, 3600, 3600N, 3750, 3850, 3850N, 3875V, 3975, 3975N, 4500, 4600, 4600N, 4750, 4850, 4875, 4913N, 4975, 4975N, and All "L" Models
075 SW	214-1	Same as above
075 T	213	Same as above

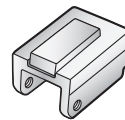
ALFA #	BERKEL #	FITS BERKEL MODELS
805 S*	04748-3	G, GA, GR, GT, GRX, GT, 805, 806
808 SG	3675-00076	807, 817, 808, 818, 909, 919, 834, 2340, 2350
808 SW	3675-00076W	Same as above
808 T	3675-00075	Same as above
825 S	825-00112	823, 825, 827 Sharpening and Truing Stone are the same
825 T	825-00112	Same as above
180 SG	B9-00612	115, 180, 910, 915, D, E, F, FA, GS
180 SW	B9-00612SW	Same as above
180 T	B9-0600	Same as above
180 TN	3675-00157	180 (New Style), 910, 915, D, E, F, FA, GS
170 T	3675-00084	Same as above and Model HD

* Available while supplies last

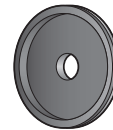
ALFA #	BIZERBA #	FITS BIZERBA MODELS
G12 S	60223401000	G12, G13, SE255, SE355, A330, SE8, SE12, VS12
G12 SW		SAME AS ABOVE
G12 T	60223401100	G12, SE225, VS12
G13 T		SE12, SE12D, G13, SE355, A330, SE8

The above parts are sold by Alfa International as replacement parts for Hobart, Berkel, Globe, Univex and other Slicers. Alfa is not affiliated with these firms.

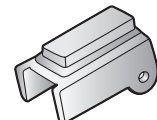
ALFA #	HOBART #	FITS HOBART MODELS
1612 SG	73851-003	111, 210, 211, 311, 411, 512, 512TMS, 1512, 1612, 1712, 1712R
1612 SW	N/A	Same as above
1612 T	13201	512, 512TMS, 1512, 1612, 1712, 1712R
H-747	478747	Holder with Ceramic Truing Stone for 2612, 2712, 2812, 2912 Models
H-882	119882	Holder with Ceramic Truing Stone for 1812 and 1912 Models
H-691	439691	Steel Grinding Wheel w/ Diamond Edge for 2000-series Models



H-747



H-691



H-882

ALFA #	FITS UNIVEX MODELS
UN-50 S	6509, 7510, 7512, 8512, 9512
UN-50 T	Same as above

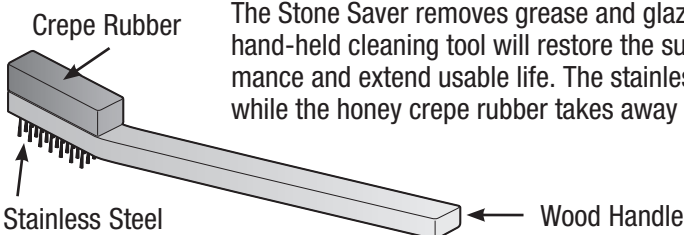
ALFA #	FITS LAN ELEC (UK) MODELS
075 SG	Same as above (For Alfa L-4 Assembly)

ALFA #	FITS FLEETWOOD MODELS
312 S	BF300, 312, 312E, 412E
180 T	Same as above

S = Sharpening or Grinding (for outside or back of Blade)
 T = Truing or Honing (for front or inside of Blade)
 SG = Gray Sharpening Stone (For hard Chrome Blades)
 SW = White Sharpening Stone (For Stainless Steel Blades)

ALFA EXCLUSIVE

STONE CLEANING TOOL



The Stone Saver removes grease and glaze from Slicer Stones in seconds. This simple hand-held cleaning tool will restore the surface of any grinding stone to improve performance and extend usable life. The stainless steel bristles remove heavy accumulation, while the honey crepe rubber takes away finer residues.



ALFA #	DESCRIPTION
STONE-CT	Stone Cleaning Brush

BIZERBA SLICER PARTS



BIZ-4030



BIZ-8000



BIZ-3100
BIZ-3100BL



BIZ-1200



BIZ-2500

NEW FOR 2017



BIZ-HANDLE

BELTS FOR BIZERBA SLICERS



BIZ-3021



BIZ-9531



BIZ-9532



BIZ-0114
BIZ-0949



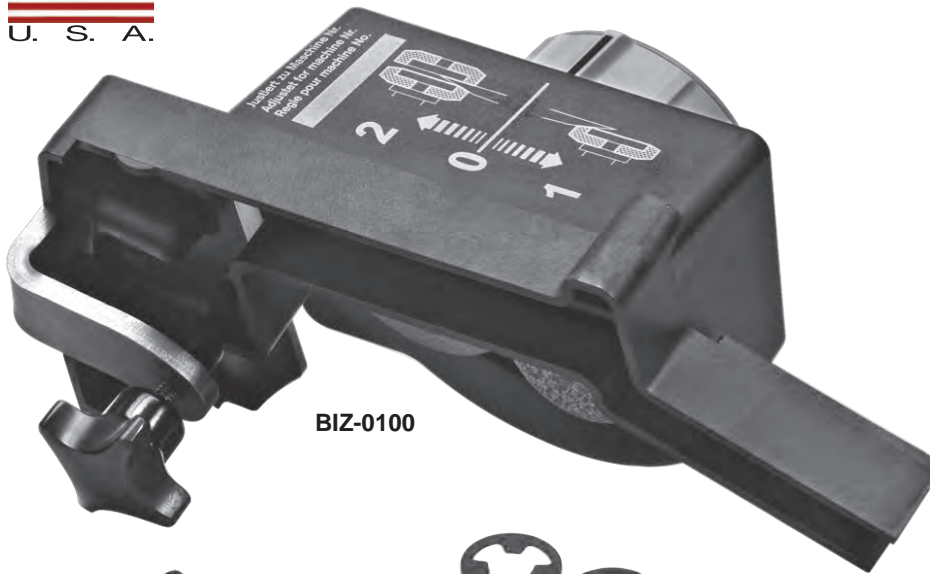
BIZ-3022

MEAT SLICERS

ALFA #	OEM #	DESCRIPTION	FITS MODELS
BIZ-0114	6037011400	Ribbed V-Belt	SE12, SE12D
BIZ-0949	50009490000	Ribbed V-Belt	SE12, SE12D
BIZ-1200	60370401200	Lever, Pre-assembled	SE12, SE12D, GSP
BIZ-2500	60370112500	3-Square Knob Assembly	SE12, SE12D
BIZ-3021	40530300021	Toothed Belt	SE12, SE12D
BIZ-3022	40530300022	Toothed Belt	SE12, SE12D
BIZ-3100	60370203100	Slider, Protecting Device w/ Lever (Beige Handle)	SE12, SE12D, GSP
BIZ-3100BL	60370203100	Slider, Protecting Device w/ Lever (Black Handle)	SE12, SE12D, GSP
BIZ-4030	40300057700	Power Cord	SE12, SE12D, GSP
BIZ-5000	50001170000	Bushing for Lever Arm	SE12, SE12D
BIZ-8000	60370116900	Blade Cover, Pre-assembled	SE12, SE12D
BIZ-9531	50009531000	Toothed Belt	SE12, SE12D
BIZ-9532	50009532000	Toothed Belt	SE12, SE12D
BIZ-HANDLE	N/A	Handle Lever Arm	SE12, SE12D

The above parts are sold by Alfa International as replacement parts for Bizerba Slicers. Alfa is not affiliated with Bizerba.

BIZERBA SLICER PARTS



BIZ-0100



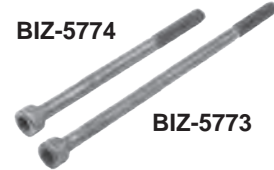
BIZ-4022



BIZ-1201



BIZ-5100



BIZ-5774

BIZ-5773



BIZ-6051



BIZ-5775



BIZ-5676



BIZ-HARDKIT



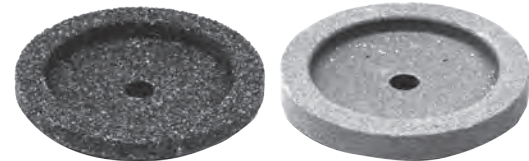
BIZ-6027



BIZ-2301



BIZ-6022



BIZERBA STONES: G12 S, G12 SW & G12 T

ALFA #	OEM #	DESCRIPTION	FITS MODELS
BIZ-0100	60370800100-001	Sharpening Assembly	SE12, SE12D, VS12, VS12W, GSP
BIZ-1201	60374701200	3.5-Inch Foot Spacer	SE12, SE12D
BIZ-2301	60220602301	Cover, Sharpener Shafts	SE12, SE12D
BIZ-4022	40220600800	Hand-wheel / Adjusting Knob	SE12, SE12D, GSP
BIZ-5100	60350005100	2-Inch Foot Spacer	SE12, SE12D
BIZ-5676	56768100000	Washer for Star Knob (Plastic)	SE12, SE12D, GSP
BIZ-5773	N/A	Screw for 3.5" Spacer	SE12, SE12D
BIZ-5774	N/A	Screw for 2" Spacer	SE12, SE12D
BIZ-5775	57753800000	Ret. Rings for Star Knob (5-pack)	SE12, SE12D, GSP
BIZ-6022	60220600500	Sharpening Stone Shaft Assembly	SE12, SE12D, GSP
BIZ-6027	60220600700	Honing Stone Shaft Assembly	SE12, SE12D, GSP
BIZ-6051	60510700015	Star Knob for Sharpener w/ Cap	SE12, SE12D, GSP
BIZ-HARDKIT	N/A	Hardware Kit for Sharpener	SE12, SE12D, GSP

SHARPENING STONES

ALFA #	OEM #	FITS BIZERBA MODELS
G12 S	60223401000	G12, G13, SE255, SE355, A330, SE8, SE12, GSP
G12 SW	N/A	Same as above
G12 T	60223401100	G12, SE225

The above parts are sold by Alfa International as replacement parts for Bizerba Slicers. Alfa is not affiliated with Bizerba.

BIZERBA SLICER PARTS



SLICER BLADES:
G13 HC
G13 HC Cheese
G13 SS

BIZ-6026



BIZ-5763



BIZ-BUMPKIT



BIZ-5000



BIZ-6080

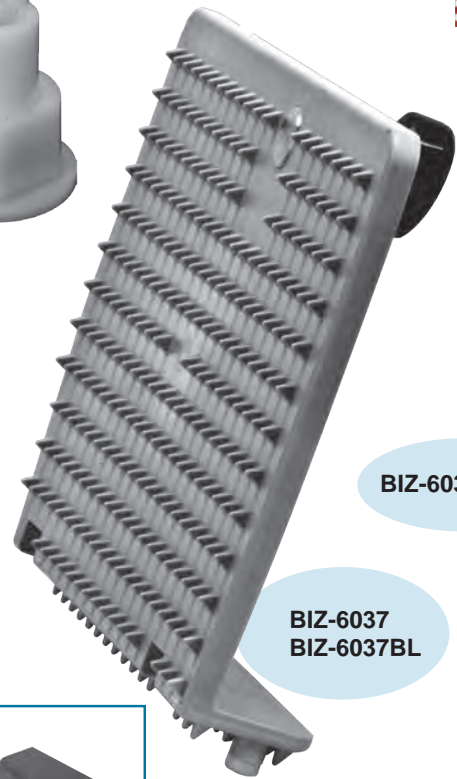
NEW FOR 2017



BIZ-6801



BIZ-4401



BIZ-6039

BIZ-6037
BIZ-6037BL



BIZ-6061

MEAT SLICERS

ALFA #	OEM #	DESCRIPTION	FITS MODELS
BIZ-4401	60370104401	Blade Shaft	SE12, SE12D
BIZ-5000	50001170000	Bushing for Lever Arm	SE12, SE12D
BIZ-5763	57630620000	Knife Screws (4-pack)	SE12, SE12D
BIZ-6026	60220600600	Bearing Bolt	SE12, SE12D
BIZ-6037	60370411700	Remnant Holder (Tan Plastic)	SE12, SE12D, GSP
BIZ-6037BL	60370411700	Remnant Holder (Black Plastic)	SE12, SE12D, GSP
BIZ-6039	60370300900	Guiding Shaft	SE12, SE12D
BIZ-6061	60610000124	Foot, Rubber	SE12, SE12D
BIZ-6080	60800204600	Star Knob with Bolt	SE12, SE12D, GSP
NEW BIZ-6801	60220406801	Clamp Handle Kit	SE12, SE12D, GSP H33, GSP HC33
BIZ-BUMPKIT	N/A	Bumper Kit for Lever	SE12, SE12D

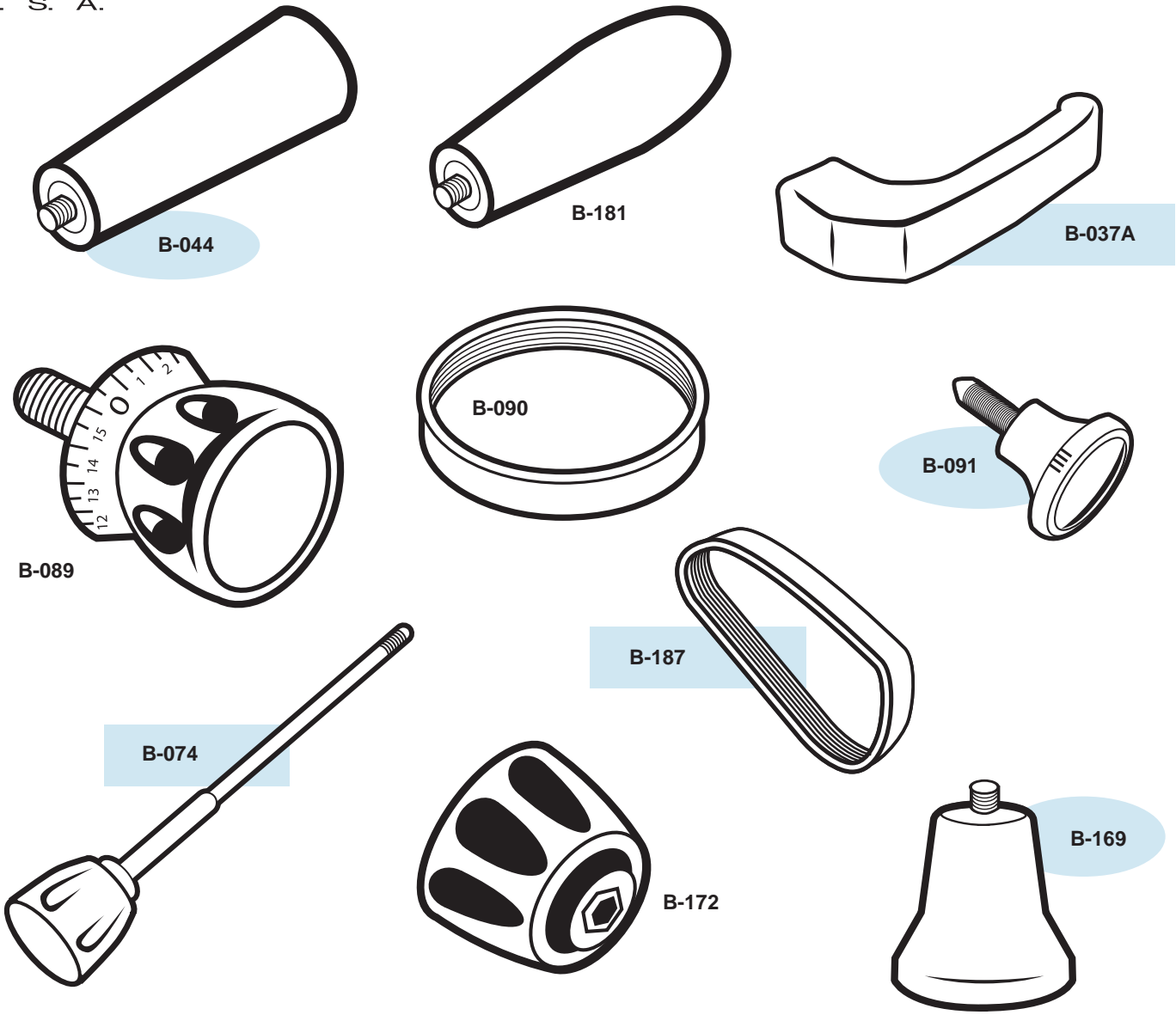
SLICER BLADES MANUFACTURED in GERMANY

ALFA #	BIZERBA #	FITS BIZERBA (BIRO) MODELS	DIAMETER	MOUNTING HOLES
G13 HC	60530101500	G13, SE355, SE12, SE128, A330FB, A330, A400, A404 & 1994 and Newer Models SE8, SE12, SG8D, VS8, VS8D, VS8F, VS8A, VS12, GSP	13"	4
G13 HC CHEESE *		Special for Cheese - fits all above	13"	4
G13 SS	40310000021	Same as above	13"	4

* G13 HC CHEESE Bizerba #: 94001000017

The above parts are sold by Alfa International as replacement parts for Bizerba Slicers. Alfa is not affiliated with Bizerba.

PARTS FOR THE BERKEL 825A, 827A, ETC.



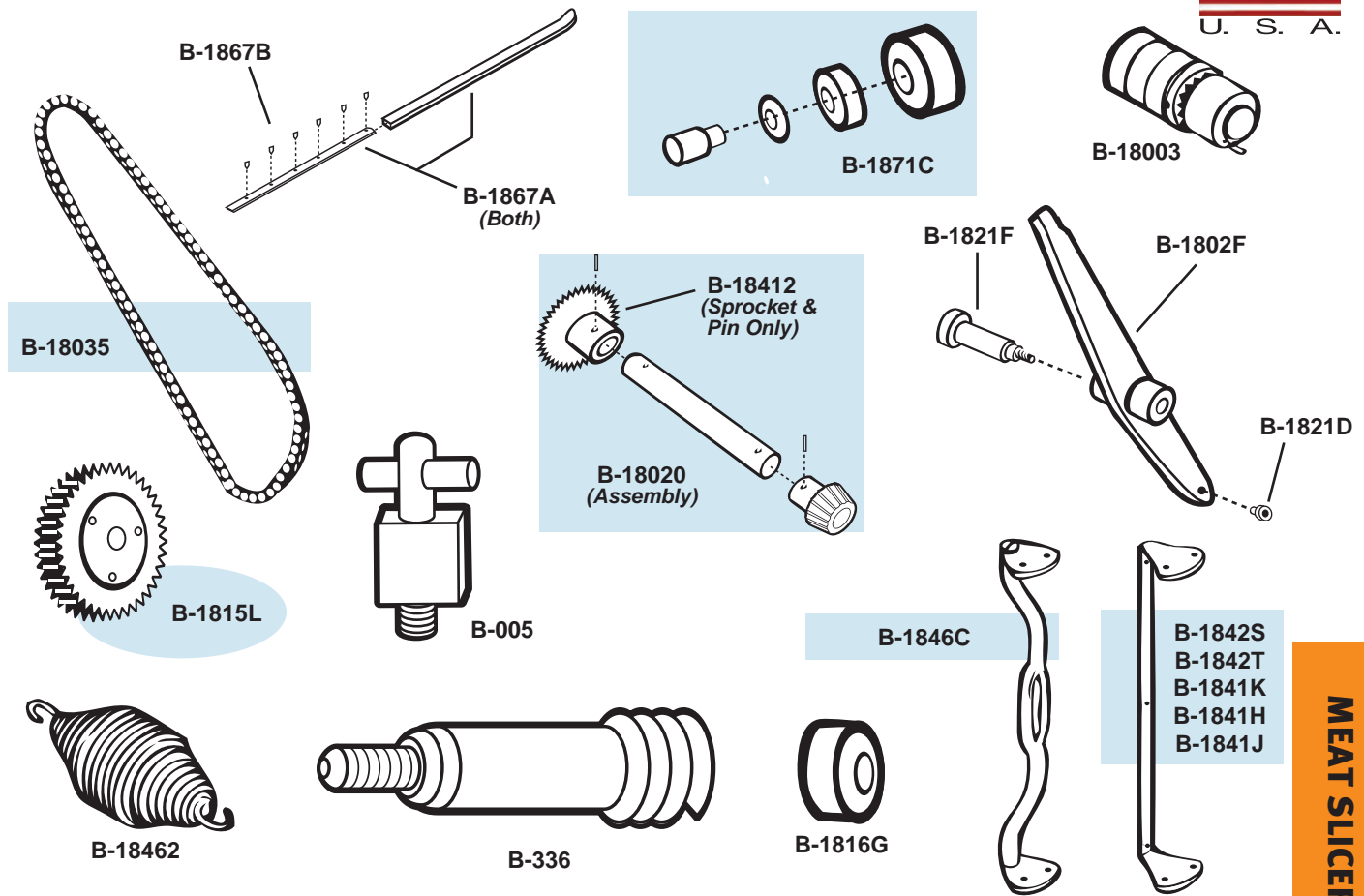
ALFA PART #	BERKEL PART #	DESCRIPTION	Fits MODELS
B-044	825A-0080-A	Handle, Meat Pusher	825A
B-037A	825-00037-A	Handle, Carriage	825A, 827E
B-074	825-00075-A	Tie Rod, Center Plate	825A
B-089	825-00035-A	Index Knob	827E
B-090	825-00066-B	Ribbed Belt	827E
B-091	827-00103-A	Knob, Sharpener Post	825A, 827E
B-169	N/A	Feet (package of 4)	825, 825A, 827, 827E (See Below*)
B-172	823-00040-A	Carriage Knob	827E
B-181	825-0080-A	Handle, Meat Pusher	827E
B-187	829-00066	Ribbed Belt	429A, 829E (Series 60360 & 60361)

*Also Fits Berkel 829, 839, 834, 834S, Globe Chefmate GC12D, Fleetwood BF300, 312, 312E, 412, 412E

The above parts are sold by Alfa International as replacement parts for Berkel Slicers. Alfa is not affiliated with Berkel.

PARTS FOR THE BERKEL 180 SLICER

For additional Berkel 180 parts, see page 48



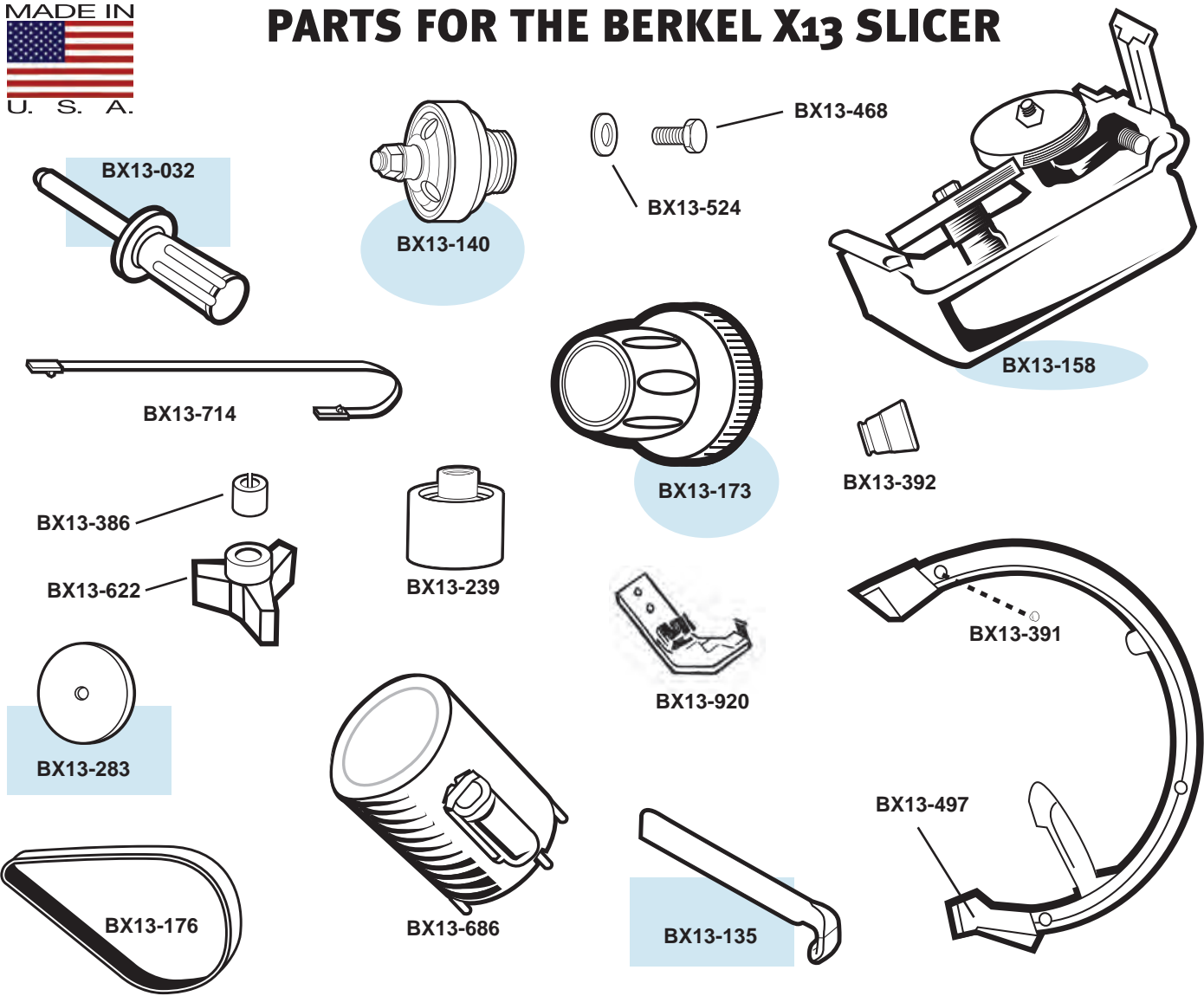
MEAT SLICERS

ALFA PART #	BERKEL PART #	DESCRIPTION	FITS MODELS
B-18003	4375-00003	Knife Bearing Assy., Complete	180 / 180 GS
B-18020	4675-00020	Sprocket Shaft Assy.	180
B-1802F	A-06002-F	Driving Lever Assy.	180
B-18035	03003-5	Chain, Endless	180
B-1815L	A-03001-5L	Fibre Gear	180
B-1816G	A-06201-16G	Roller Assy. Bearing	180
B-005	4675-00203	S/S Pin Assy/Upper Stud & Block for Drive Lever	180
B-1821D	A-06002-1D	Lower Stud & Roller	180
B-1821F	06002-1F	Driving Lever Ctr. Pin	180
B-18412	4675-00412	Sprocket w/ Taper Pin	180
B-1841H*	06004-1H	Short Needle Bar With Holes	180
B-1841J*	06004-1J	Short Needle Bar With-Out Holes	180
B-1841K	06004-1K	Short Needle Bar With Half Link	180
B-1842S*	A-06004-2S	Long Needle Bar With-Out Holes	180
B-1842T*	A-06004-2T	Long Needle Bar With Holes	180
B-18462	7SP-09462	Spring	180
B-1846C	2A-06004-6C	Driving Rod Assy.	180
B-1867A	A-08006-7A	Fly Lever Finger & Needle Assy.	180
B-1867B	A-08006-7B	Needle Pad w/ Needles ONLY	180
B-1871C	A-06007-1C	Cam Roller	180
B-336	4675-00336	Index Worm Assy.	808/818/909 919/180

* Available while current inventory lasts

The above parts are sold by Alfa International as replacement parts for Berkel Slicers. Alfa is not affiliated with Berkel.

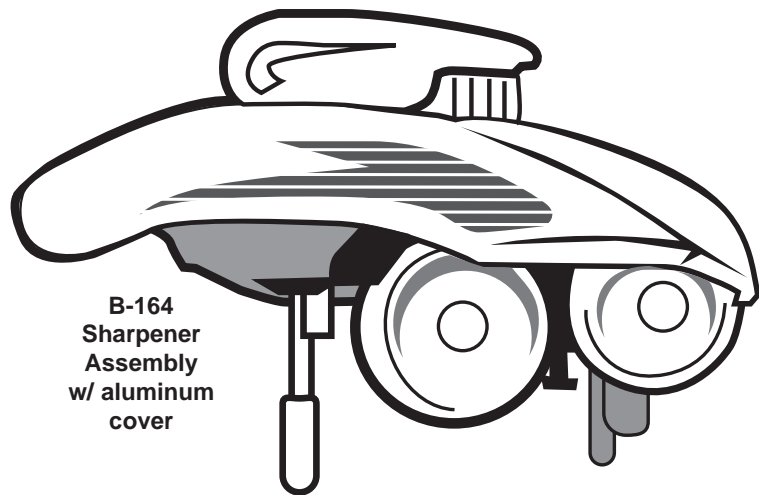
PARTS FOR THE BERKEL X13 SLICER



ALFA PART #	BERKEL PART #	DESCRIPTION	FITS MODELS
BX13-032	4575-01032	Handle, Pusher	All X13 Models
BX13-135	4675-01135	Product Fence	All X13 Models
BX13-140	4675-01177	Knife Hub Assembly	All X13 Models
BX13-158	4675-01158	Sharpener Assembly, Complete	X13, X13A, X13E, X13AE
BX13-173	3875-00173	Knob-Index Assy	All X13 Models
BX13-176	2375-00176	Belt	All X13 Models
BX13-239	3875-00239	Foot	All X13 Models
BX13-283	3675-00283	Stone, Sharpening and Truing, Borazon	All X13 Models
BX13-386	3375-01386	Sleeve, Table Stud	All X13 Models
BX13-391	N/A	Screw fits Knife Ring BX13-497	All X13 Models
BX13-392	3375-01392	Center Plate Knob	All X13 Models
BX13-468	2175-00468	Knife Bolt	All X13 Models
BX13-497	3775-00497	Knife Guard Ring	All X13 Models
BX13-524	2275-00524	Knife Washer	All X13 Models
BX13-622	2275-00622	Knob	All X13 Models
BX13-686	4175-00686	Motor	All X13 Models
BX13-714	4175-00714	Flex Cable Assembly	All X13 Models
BX13-920	2675-00920	Hall Effect Switch	All X13 Models

The above parts are sold by Alfa International as replacement parts for Berkel Slicers. Alfa is not affiliated with Berkel.

PARTS FOR BERKEL SLICERS



B-164
Sharpener
Assembly
w/ aluminum
cover



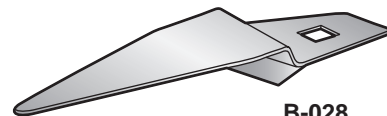
B-032



B-031



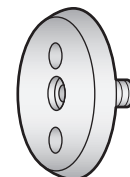
B-098



B-028



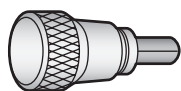
B-781



B-009



B-114



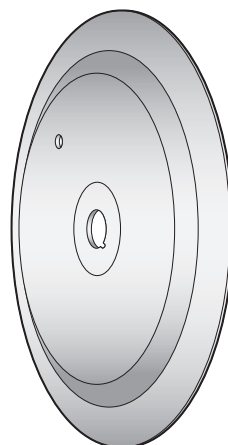
B-139



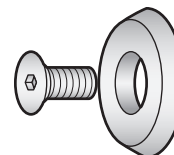
B-063



B-095



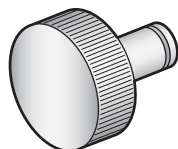
808 SS / HC



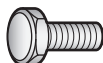
B-120



B-008



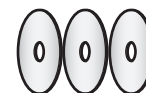
B-013



B-072



B-012/808



B-113
Pkg./12

FITS MODELS	8	8	9		
	0	0	0	2	2
7					
8					
1					
7					
808 HC	X	X	X		
808 SS	X	X	X	X	X
B-008	X				
B-009	X				
B-012/808		X	X		
B-013	X	X			
B-028		X	X	X	
B-031		X	X		
B-032		X	X		
B-063	X				
B-072			X		
B-095	X	X	X		
B-098		X	X		
B-113		X	X		
B-114		X	X		
B-120		X	X		
B-139			X		
B-781	X	X			
B-164	X	X			

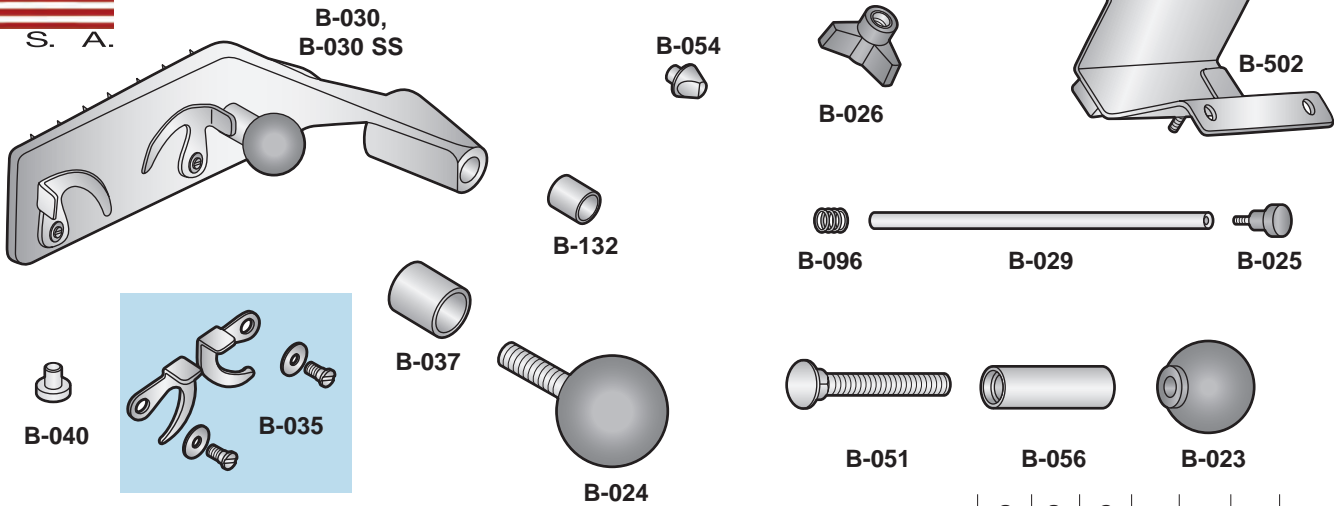
ALFA #	BERKEL#	DESCRIPTION
808 HC	3675-00074	Hard Chrome Blade (Made in Germany)
808 SS	3675-00070	Stainless Steel Blade (Made in Germany)
B-008	3875-00029	Bakelite Knife Scraper
B-009	3375-00314	Knife Center Bolt (Old Style)
B-012/808	4575-00289	Center Plate Mounting Bracket (New Style)
B-013	3375-00310	Center Plate Knob for B-012/808
B-028	4575-00281	Knife Scraper Holder (Metal)
B-031	3875-00057	Knife Scraper (Plastic)
B-032	2275-00221	Knife Scraper Knob
B-063	4722-3A	Knife Bolt Fiber Plug Set (Old Style)
B-072	3375-00314	Knife Bolt (Old Style)
B-095	2275-00064	Center Plate Snap Ring
B-098	2175-00239	Knife Scraper Bolt
B-113	3275-00040	Knife Hub Shims (Pkg./12, Metal)
B-114	3875-00024	Center Plate Spacer Plug (New Style)
B-120	3375-00107	Knife Washer and Screw Assembly (New Style)
B-139	2375-00139	Plunger for Center Plate
B-781	3475-00781	Knife Washer, Stainless Steel
B-164	4675-00164	Sharpener Assembly

Note: See page 36 for Knife Sharpening Stones.

The above parts are sold by Alfa International as replacement parts for Berkel Slicers. Alfa is not affiliated with Berkel.

MEAT SLICERS

PARTS FOR BERKEL SLICERS



ALFA #	BERKEL#	DESCRIPTION	FITS MODELS						
			8 0 7 8 1 7	8 0 8 1 1 8	9 0 9 1 1 9	2 3 4 5 0	2 3 5 0	3 3 4 0	3 3 5 0
B-023	2275-00042	Meat Table Knob, Female (Round)-Black	X	X	X	X	X		
B-024	2275-00043	Meat Pusher Knob, Male (Round)-Black	X	X	X	X	X	X	X
B-025	2275-00056	Meat Pusher Rod Knob-Black		X					
B-026	2275-00063	Meat Table Support Knob (Star Shaped)-Black	X	X	X	X	X		
B-029	3375-00242	Meat Pusher Rod-Stainless Steel		X	X	X	X		
B-030	4675-00313	Meat Pusher Assembly complete with 2 Prongs (Chrome)	X	X	X				
B-030 SS	4675-01014	Meat Pusher Assembly complete with 1 Prong (Stainless)	X	X	X				
B-035	3275-00043	Meat Pusher Hook Kit complete with Prongs	X	X	X				
B-037	3375-00244	Meat Pusher Knob Spacer	X	X	X			X	X
B-040	3875-00023	Meat Pusher Bumper	X	X	X	X	X		
B-051	2175-03277	Meat Table Bolt	X	X	X				
B-054	3875-00022	Meat Table Shaft Lock Pin	X	X	X				
B-056	3375-00243	Meat Table Knob Spacer	X	X	X	X	X		
B-096	3275-00029	Pusher Shaft Compression Spring	X	X	X	X	X		
B-132	2275-00045	Meat Pusher Bushing	X	X	X	X	X		
B-502	4675-00962	Meat Table Mounting Bracket			X	X			

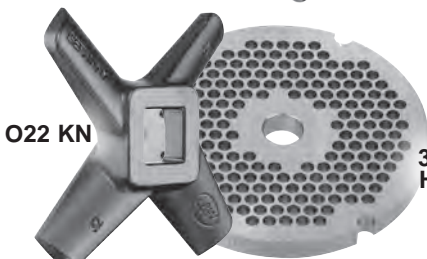
The above parts are sold by Alfa International as replacement parts for Berkel Slicers. Alfa is not affiliated with Berkel.



FOR ALL OF YOUR MEAT-PROCESSING NEEDS

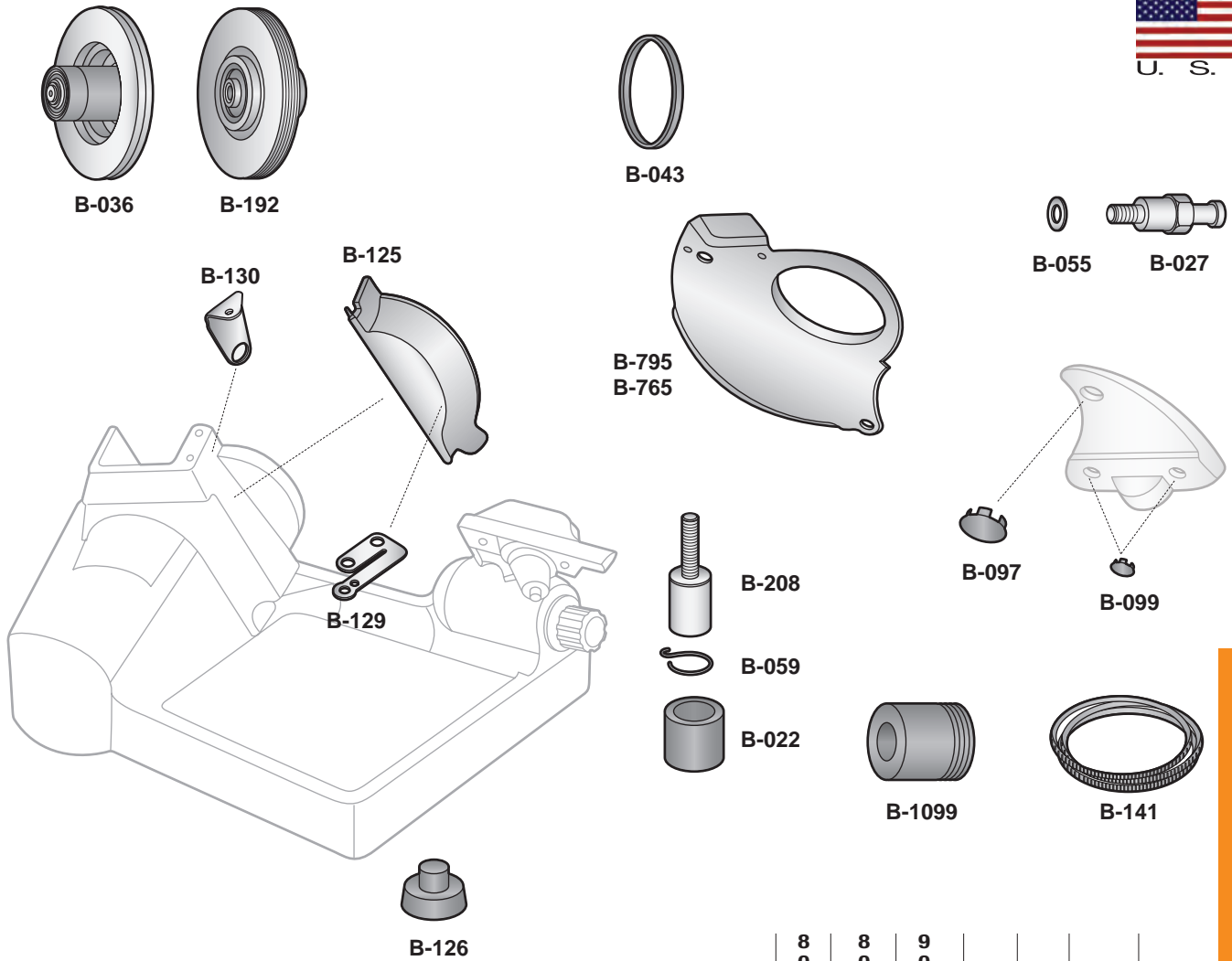
You will notice the many new products we have added to our line which are a direct result of customer feedback. This communication is a vital factor in our continued growth.

- Roger Madigan
 President



Safety Gloves, Grinder Plates & Knives,
 Electric & Manual Meat Grinders,
 Meat Hand-Saws & Other Manual Tools

PARTS FOR BERKEL SLICERS



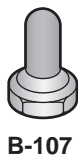
MEAT SLICERS

ALFA #	BERKEL#	DESCRIPTION	FITS MODELS						
			8 0 7 8 1 7	8 0 8 1 8	9 0 9 1 9	2 3 4 0	2 3 5 0	3 3 4 0	3 3 5 0
B-022	3675-00061	Rubber Support Shoe		X	X	X	X	X	X
B-027	3375-00293	Center Plate Stud - Stainless Steel	X	X	X				
B-036	4375-00114	Knife Pulley Assembly (New Style)		X					
B-043	3875-00025	Knife Box Cover Seal	X	X	X	X	X		
B-055	3275-00030	Center Plate Stud Shim Set (Pkg./12, Metal)		X	X				
B-059	3275-00059	Foot Post Hook	817	X	X	X	X		
B-097	3675-00071	Gauge Plate Support Hole Cover (Large)	X	X	X	X	X		
B-099	3675-00072	Gauge Plate Support Hole Cover (Small)	X			X	X		
B-125	3875-00138	Slicer Deflector (Plastic)	X	X	X				
B-126	A-3000-1	Rubber Support Foot	X						
B-129	3475-00363	Lower Slicer Deflector Hinge	X	X	X	X	X		
B-130	3475-00156	Upper Slicer Deflector Hinge	X	X	X	X	X		
B-141	2375-00141	Belt, Knife Pulley			X	X	X		
B-192	4375-00192	Knife Pulley Assembly			X	X	X		
B-208	4575-00208	Foot Post Assembly		808	909	X			
B-765	3475-00765	Knife Box Cover			X				
B-795	4575-00795	Knife Box Cover	X	X					
B-1099	3375-01099	Motor Pulley, 1/2" Hole			X	X	X		

The above parts are sold by Alfa International as replacement parts for Berkel Slicers. Alfa is not affiliated with Berkel.



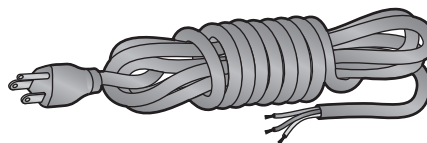
PARTS FOR BERKEL SLICERS



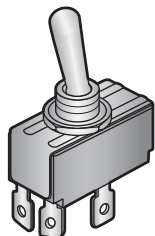
B-107



B-057



CORD



B-004



B-122



B-106



B-042 / B-083



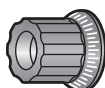
B-038 / B-127



B-121



B-108



B-045



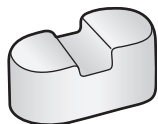
B-347



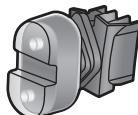
B-336



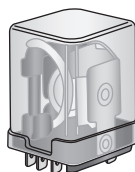
B-033



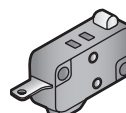
B-259



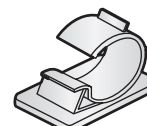
B-404



B-753



B-111



B-109

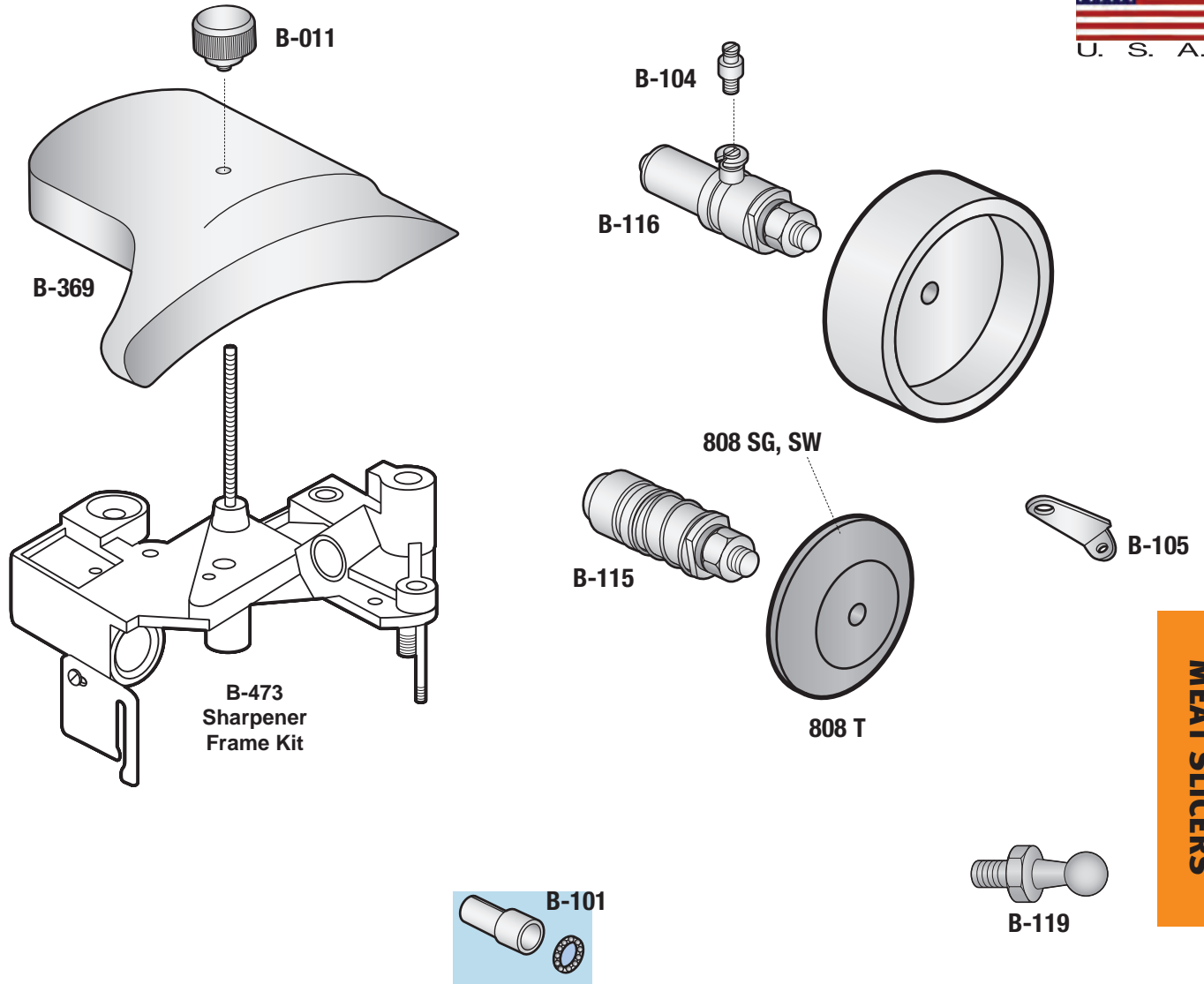
FITS MODELS

ALFA #	BERKEL#	DESCRIPTION	8 0 7 8 1 7	8 0 8 9 1 8	9 0 9 9 1 9	2 3 4 0	2 3 5 0	3 3 4 0	3 3 5 0
B-004	2675-00617	Toggle Switch - Quality Cutler Hammer / USA	X	X	X				
B-033	2175-00106	Carriage Set Screw (Nylon)	X	X	X	X	X		
B-038	02646-1H	Carriage Rod Bushing (Old Style)	X						
B-042	2375-00025	Motor Pulley (V Belt)		X	X				
B-045	4975-09506	Index Knob - Red Plastic		X	X				
B-057	4975-00044	Gauge Plate Shim Set (Pkg./12)	X	X	X				
B-083*	3375-01083	Motor Pulley, Power Stroke		X	X		X		
B-106	3275-00061	Carriage Extension Spring	X	X	X	X	X		
B-107	2275-00060	Rubber Switch Cover	X	X	X	X	X		
B-108	4375-00031	Assembled Carriage Bearing (White)	X	X	X	X	X		
B-109	2275-00149	Power Cord Clamp	X	X	X	X	X	X	X
B-111	2641-3K	Micro/Unimax Switch	X						
B-121	3275-00046	Rail Bumper	X	X	X	X	X		
B-122	3375-00091	Carriage Rod (Stainless Steel)		X	X	X	X		
B-127	2275-00053	Carriage Rod Bushing (New Style)		X	X	X	X		
B-259	3675-00259	Boot for Switch			X				
B-336	4675-00336	Worm Assembly		X	X				
B-347	4975-09280	Index Gear Segment		X	X				
B-404	4975-00404	On/Off Switch			X				
B-753	2675-00753	Relay Switch			X				
CORD	4175-00031	Power Cord (3 Wire 8 Ft., 16 Gauge)	X	X	X				

* Available while current inventory lasts

The above parts are sold by Alfa International as replacement parts for Berkel Slicers. Alfa is not affiliated with Berkel.

PARTS FOR BERKEL SLICERS

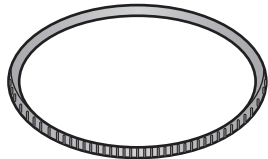


MEAT SLICERS

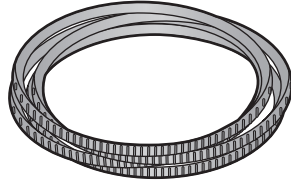
ALFA #	BERKEL#	DESCRIPTION	FITS MODELS				
			8 0 7 8 1 7	8 0 8 1 8	9 0 9 1 9	2 3 4 0	2 3 5 0
B-011	3675-00165	Aluminum Sharpener Cover Knob		X	X		
B-101	3375-01123	Sharpener Spindle with Ball Bearings	X	X	X		
B-104	3375-01121	Sharpener Link Screw	X	X	X		
B-105	3301-03803	Sharpener Link	X	X	X	X	X
B-115	M-0611	Truing Stone Spindle Assembly - Right Hand Thread	X	X	X	X	X
B-116	M-0677	Grind Stone Spindle Assembly - Left Hand Thread	X	X	X	X	X
B-119	3375-01102	Pin, Index Gear Segment (fits into B-347)			X		
B-369	4975-00407	Sharpener Cover			X		
NEW B-473	4975-00473	Sharpener Frame Kit	X	X	X		
808 T	3375-00075	Truing Stone - Gray, Made in Germany	X	X	X		
808 SG	3675-00076	Gray Sharpening Stone (Replaces Brown), Made in Germany	X	X	X	X	X
808 SW	3675-0076W	White Sharpening Stone, Made in Germany	X	X	X		

The above parts are sold by Alfa International as replacement parts for Berkel Slicers. Alfa is not affiliated with Berkel.

BELTS FOR BERKEL SLICERS



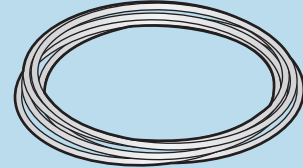
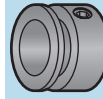
BB-808S



BB-818L



BB-335 Motor Pulley and Round Belt Replacement Kit

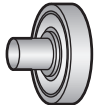


BB-133 Belt Only

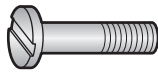
ALFA #	BERKEL #	DESCRIPTION	FITS MODELS											
			807	808	817	818	909	919	2340	2350	3340	3350		
BB-133	2375-00133	Round Belt Only (60")				X		X	X	X				
BB-141	2375-00141	Knife Pulley Belt					X	X	X	X				
BB-221	2301-5221	Knife Pulley Belt											X	X
BB-335	4975-00335	Motor Pulley and Round Belt Kit				X		X						
BB-807/N	2642-0003A	Ribbed Belt (S.N. 1500 and Up)	X		X									
BB-807/O	2642-00003	"V" Belt (Up to S.N. 1499)	X		X									
BB-808S	2375-00015	Short Knife Pulley Belt (5M 560)		X		X								
BB-818L	2375-00016	Long Belt - Automatic (5M 1850)					X	X		X				
BB-818M	2375-00017	Medium Belt - Power Drive (7M 1060)				X	X							

PARTS FOR OLD BERKEL SLICERS

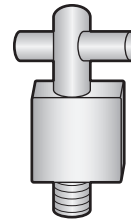
See more Berkel 180 parts on page 41.



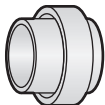
B-007



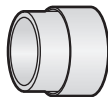
B-019



B-005



B-020



B-021



B-093



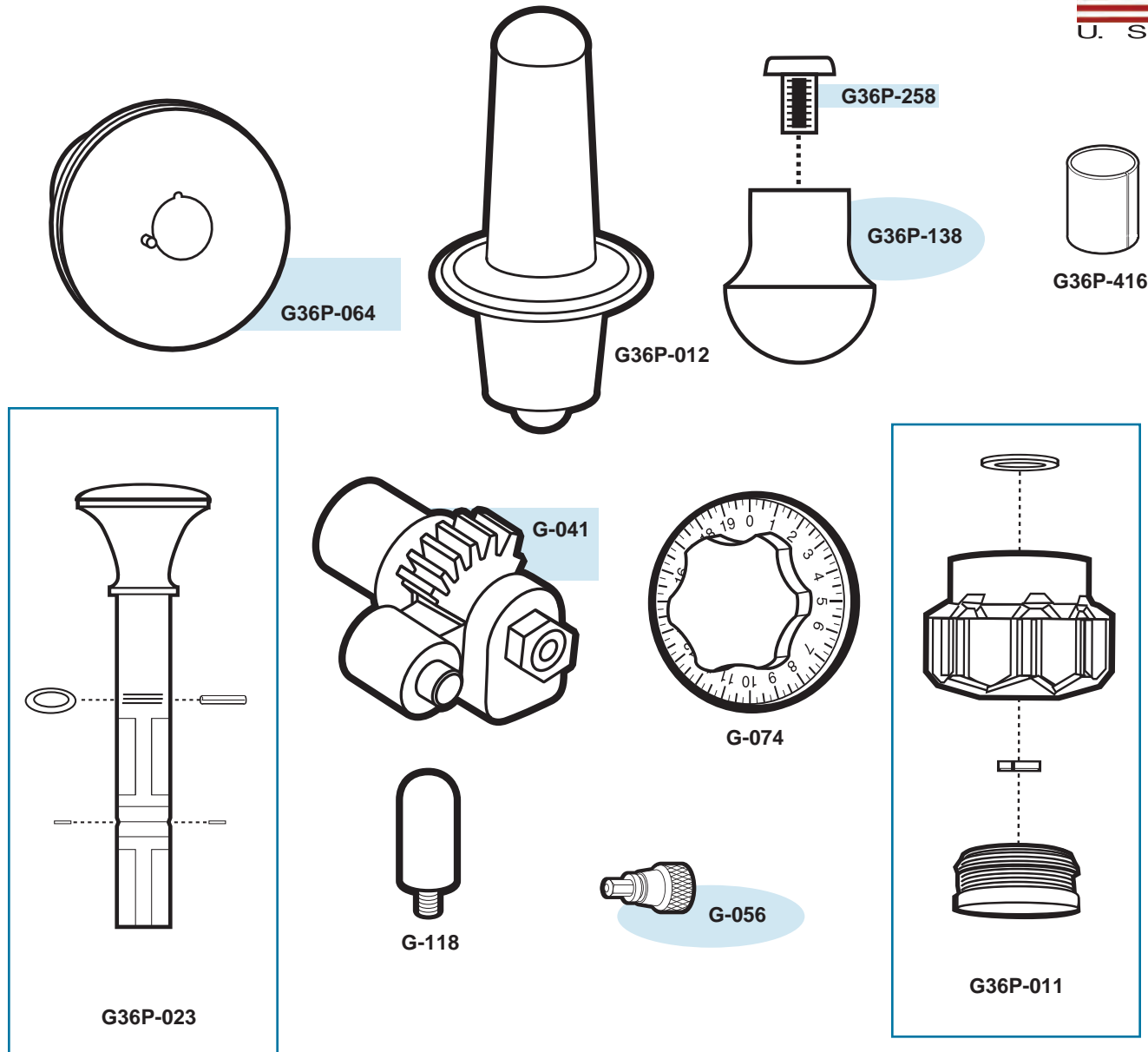
B-094

FITS MODELS

ALFA #	BERKEL #	DESCRIPTION	FITS MODELS	
			150170	180190
B-005	4675-00203	Stainless Steel Upper Stud and Block for Drive Lever	X	X
B-007	S6002-1D	Lower Stud and Bearing	X	X
B-019	10034-5	Conveyor Feed Screw	X	X
B-020	6004-10F	Nylon Roller	X	X
B-021	6004-6D	Nylon Bushing	X	X
B-093	6004-8A	Wear Link	X	X
B-094	10627-S	Conveyor Needle Screw	X	X

The above parts are sold by Alfa International as replacement parts for Berkel Slicers. Alfa is not affiliated with Berkel.

PARTS FOR GLOBE 3000-SERIES SLICERS

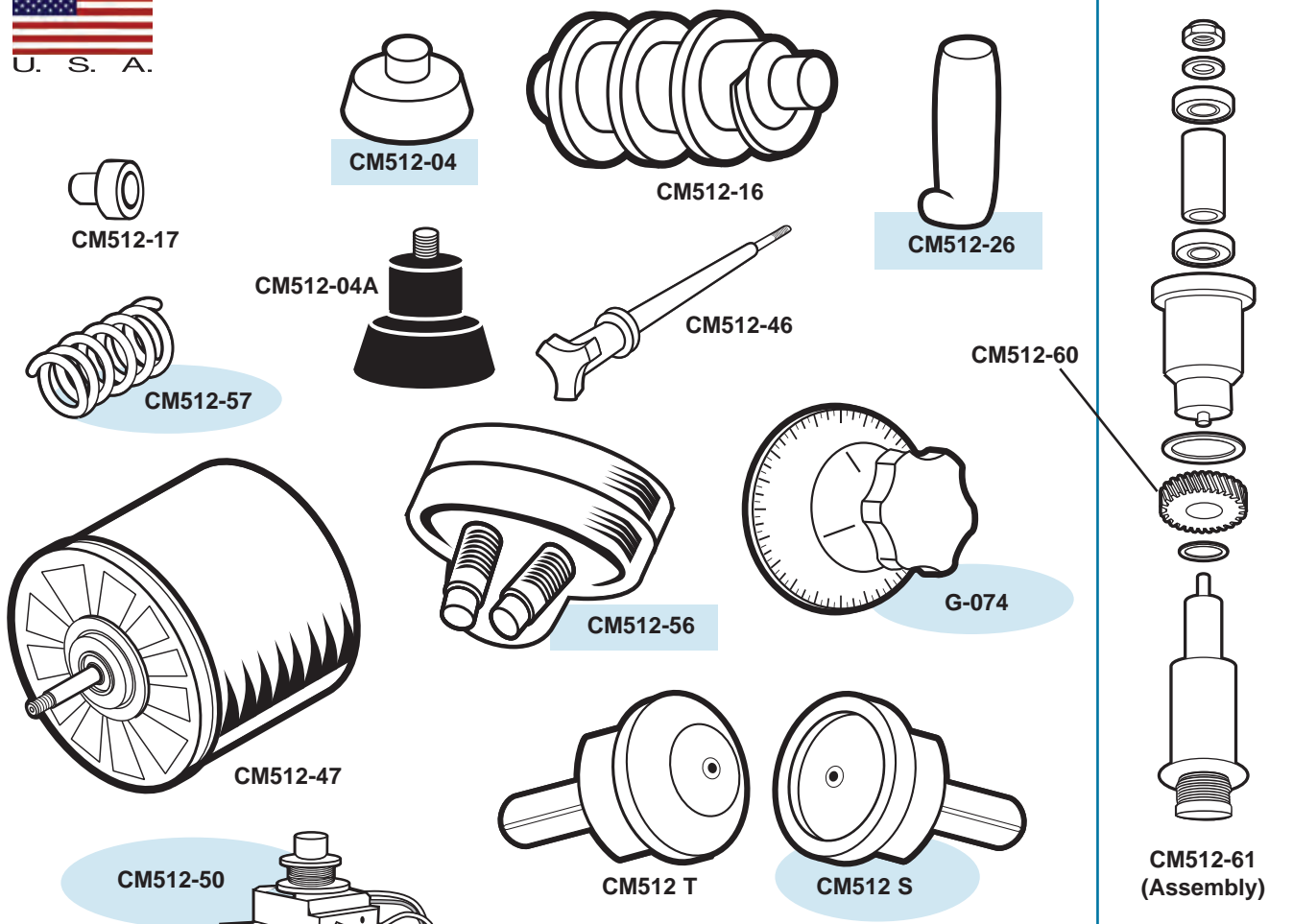


MEAT SLICERS

ALFA #	GLOBE #	DESCRIPTION	FITS MODELS
G36P-138	1138	Sharpener cover knob	3600P, 3850P, 3975P
G36P-258	1258	Screw for sharpener cover knob	3600P, 3850P, 3975P
G36P-064	70064	Knife locating hub assembly	3600P, 3850P, 3975P
G36P-416	741-6	End weight bushing	3600P, 3850P, 3975P
G36P-023	420023	Actuator shaft service kit	3600P, 3850P, 3975P
G36P-012	510012	End weight handle (plastic)	3600P, 3850P, 3975P
G36P-011	510011	Chute support knob assembly	3600P, 3850P, 3975P
G-118	482-B	Chute support handle	3600P, 3850P, 3975P
G-056	1056	Cover knob	3600P, 3850P, 3975P
G-074	510020/407-1B	Table adjusting knob	3600P, 3850P, 3975P
G-041	453-AS	Table adjusting gear	3600P, 3850P, 3975P

The above parts are sold by Alfa International as replacement parts for Globe Slicers. Alfa is not affiliated with Globe.

PARTS FOR GLOBE CHEFMATE GC512



ALFA PART #	GLOBE PART #	DESCRIPTION
CM512 S	A320	Grinding Stone Assembly
CM512 SS	A281	Slicer Knife (See p. 34)
CM512 T	A330	Honing Stone Assembly
CM512-04	A040A	Rubber Foot (Set of 4)
CM512-04A*	A040	Rubber Foot (New Design)
CM512-16**	A116	Worm Gear
CM512-17**	952-11	Power On Lamp
CM512-24	A415	Plate and Stud Assembly
CM512-26**	A413	Chute Handle
CM512-45	A264	Motor Gear
CM512-46	A230	Knife Cover Stud Knob
CM512-47	A260	Knife Motor 1/3 HP
CM512-49	AKER	Start Capacitor
CM512-50	APR-5	Relay
CM512-54	A303	Honing Stone Knob
CM512-55	A301	Grinding Stone Knob
CM512-56	A2300	Sharpening Assembly
CM512-57	A302	Spring
CM512-60	A293	Nylon Gear
CM512-61	A290	Bearing Hub Assembly
CM512-75	A785	On-Off Switch
G-074	407-1B	Adjust Knob

* These are the feet for newer machines with a serial number higher than 531885. For older machines use CM512-04.

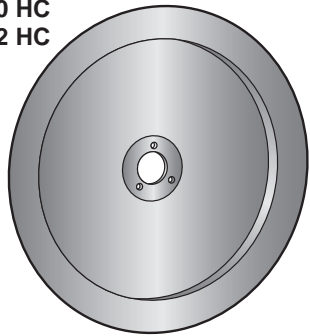
** Available while current inventory lasts

The above parts are sold by Alfa International as replacement parts for Globe Slicers. Alfa is not affiliated with Globe.

PARTS FOR GLOBE CHEFMATE SLICERS



CM9 HC
CM10 HC
CM12 HC



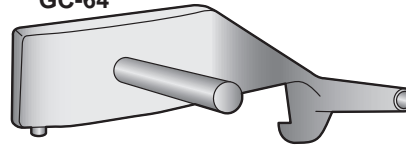
GC-56-A

GC-71
GC-72

GC-65A
GC-66A
GC-67A

GC-45
GC-46
GC-47

GC-62
GC-63
GC-64

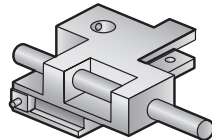


GC-47-B

GC9 S
GC12 S

GC9 T
GC12 T

GC-33
GC-34



GC-35

GC-12

GC-25
GC-26

GC-27

GC-31
GC-32

GC-28

GC-48-A
GC-49-A
GC-50-A

GC-48
GC-49
GC-50

GC-54
GC-55

GC-52

GC-41A

GC-76

GC-40

GC-36
GC-38

FITS MODELS

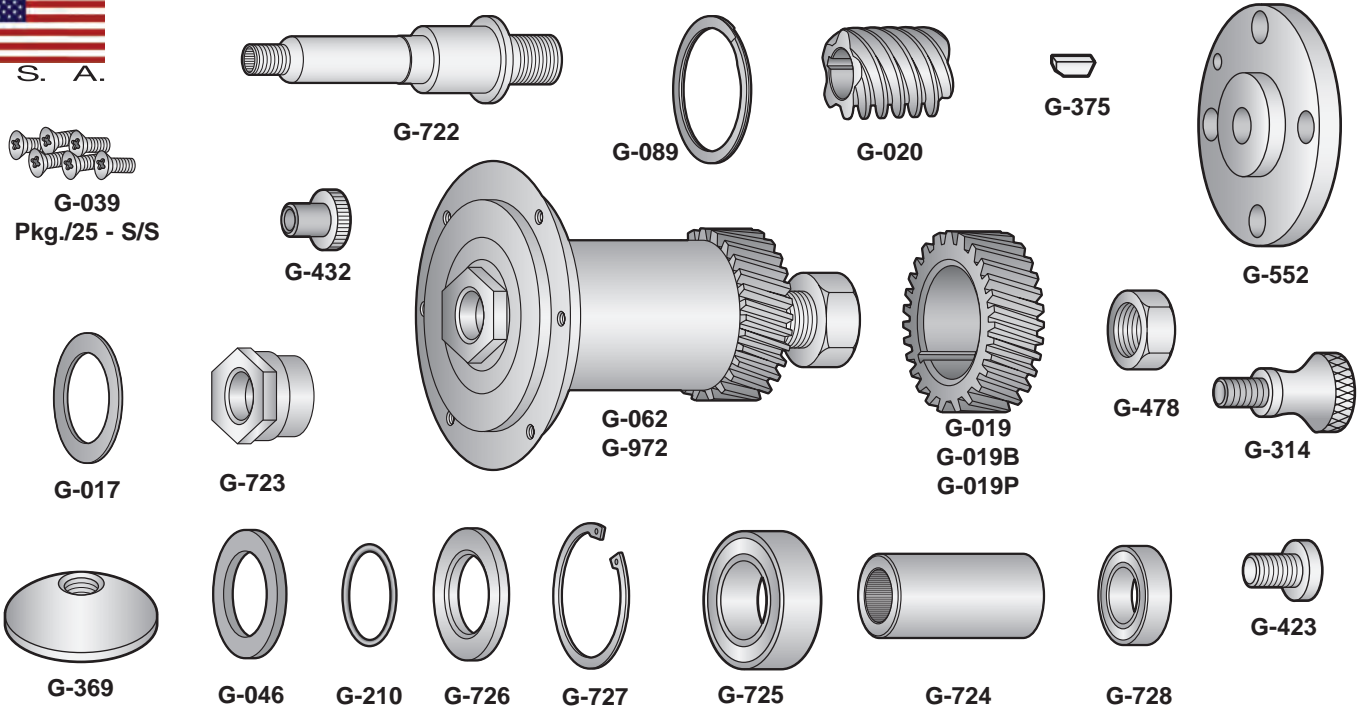
ALFA #	GLOBE #	DESCRIPTION	GC9	GC10	GC12	GC12D
CM9 HC	56	Slicer Knife (see p. 34)				
CM10 HC	57	Slicer Knife (see p. 34)		X		
CM12 HC	58	Slicer Knife (see p. 34)			X	
GC9 S	5	Sharpening Stone	X	X		
GC9 T	7	Truing Stone	X	X		
GC-12	12	Cover Release Knob	X	X	X	
GC12 S	6	Sharpening Stone			X	X
GC12 T	8	Truing Stone			X	X
GC-25	25	Index Knob	X			
GC-26	26	Index Knob		X	X	
GC-27	27	Indexing Cam	X	X	X	
GC-28	28	On/Off Switch	X	X	X	X
GC-31*	31	Capacitor	X			
GC-32	32	Capacitor		X	X	X
GC-33*	33	Table Adjustment Assembly	X			
GC-34	34	Table Adjustment Assembly		X		
GC-35	35	Table Adjustment Assembly			X	
GC-36*	36	Motor 115V, 60 Hz, 1 PH	X			
GC-38	38	Motor 115V, 60 Hz, 1 PH		X	X	
GC-40	40	Rubber Foot (4), Old Style	X	X	X	
GC-41-A	41-A	Foot Screw (2)	X	X	X	
GC-45	45	Chute Slide Assembly	X			
GC-46	46	Chute Slide Assembly		X		
GC-47	47	Chute Slide Assembly				X
GC-47-B	47-B	Small Bearing	X	X	X	X
GC-48*	48	Slide Rod	X			
GC-48-A*	48-A	Slide Rod Spring	X			
GC-49	49	Slide Rod		X		
GC-49-A*	49-A	Slide Rod Spring		X		
GC-50	50	Slide Rod			X	
GC-50-A	50-A	Slide Rod Spring			X	X
GC-52	52	Drive Hub Assembly	X	X	X	
GC-54	54	Drive Belt	X	X		
GC-55	55	Drive Belt			X	
CM9 HC	56	Knife	X			
GC-56-A	56-A	Knife Mounting Screw	X	X	X	X
GC-59-A	59-A	Knife Cover Insert	X	X	X	
GC-62*	62	End Weight Assembly	X			
GC-63	63	End Weight Assembly		X		
GC-64	64	End Weight Assembly			X	
GC-65-A	65-A	End Weight Rod	X			
GC-66-A	66-A	End Weight Rod		X		
GC-67-A*	67-A	End Weight Rod			X	
GC-71	71	Chute Knob	X			
GC-72	72	Chute Knob		X	X	X
GC-76	76	Bottom Enclosure Nut	X	X	X	

* Available while current inventory lasts

The above parts are sold by Alfa International as replacement parts for Globe Slicers. Alfa is not affiliated with Globe.

MEAT SLICERS

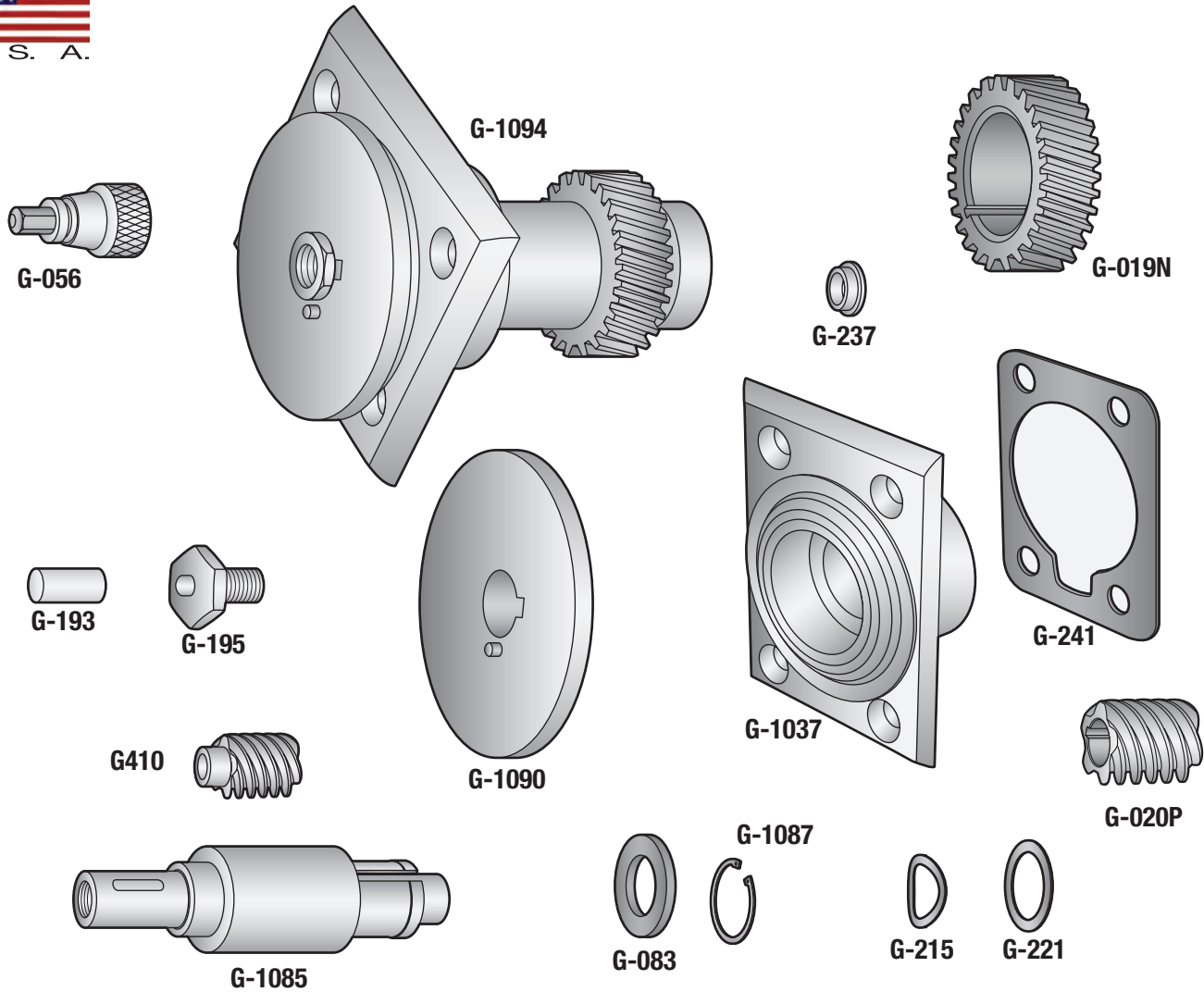
PARTS FOR GLOBE SLICERS



FITS MODELS

7	1	2	3	4	5	5	6	6	6	7	7	7	7	7	7	7	7	8	8	8	2	2	2	2	3	3	3	3	3	3	4	4	4		
5	5	8	0	0	0	1	1	6	8	1	2	2	2	6	6	7	7	1	2	2	5	7	8	8	5	5	5	5	7	7	5	5	8	8	8
	0	5	0	0	0	0	0	0	5	0	5	0	5	5	5	5	5	5	0	5	0	0	0	0	0	0	0	0	5	5	0	0	5	5	5
					5																														
					0																														
					0																														
					0																														
					0																														
					0																														
					0																														
					0																														
					0																														
					0																														
					0																														
					0																														
					0																														
					0																														
					0																														
					0																														
					0																														
					0																														
					0																														
					0																														
					0																														
					0																														
					0																														
					0																														
					0																														
					0																														
					0																														
					0																														
					0																														
					0																														
					0																														
					0																														
					0																														
					0																														
					0																														
					0																														
					0																														
					0																														
					0																														
					0																														
					0																														
					0																														
					0																														
					0																														
					0																														
					0																														
					0																														
					0																														
					0																														
					0																														
					0																														
					0																														
					0																														
					0																														
					0																														
					0																														
					0																														
					0																														
					0																														
					0																														
					0																														
					0																														
					0																														
					0																														
					0																														
					0																														
					0																														
					0																														
					0																														
					0																														
					0																														
					0																														
					0																														

PARTS FOR GLOBE SLICERS New Style

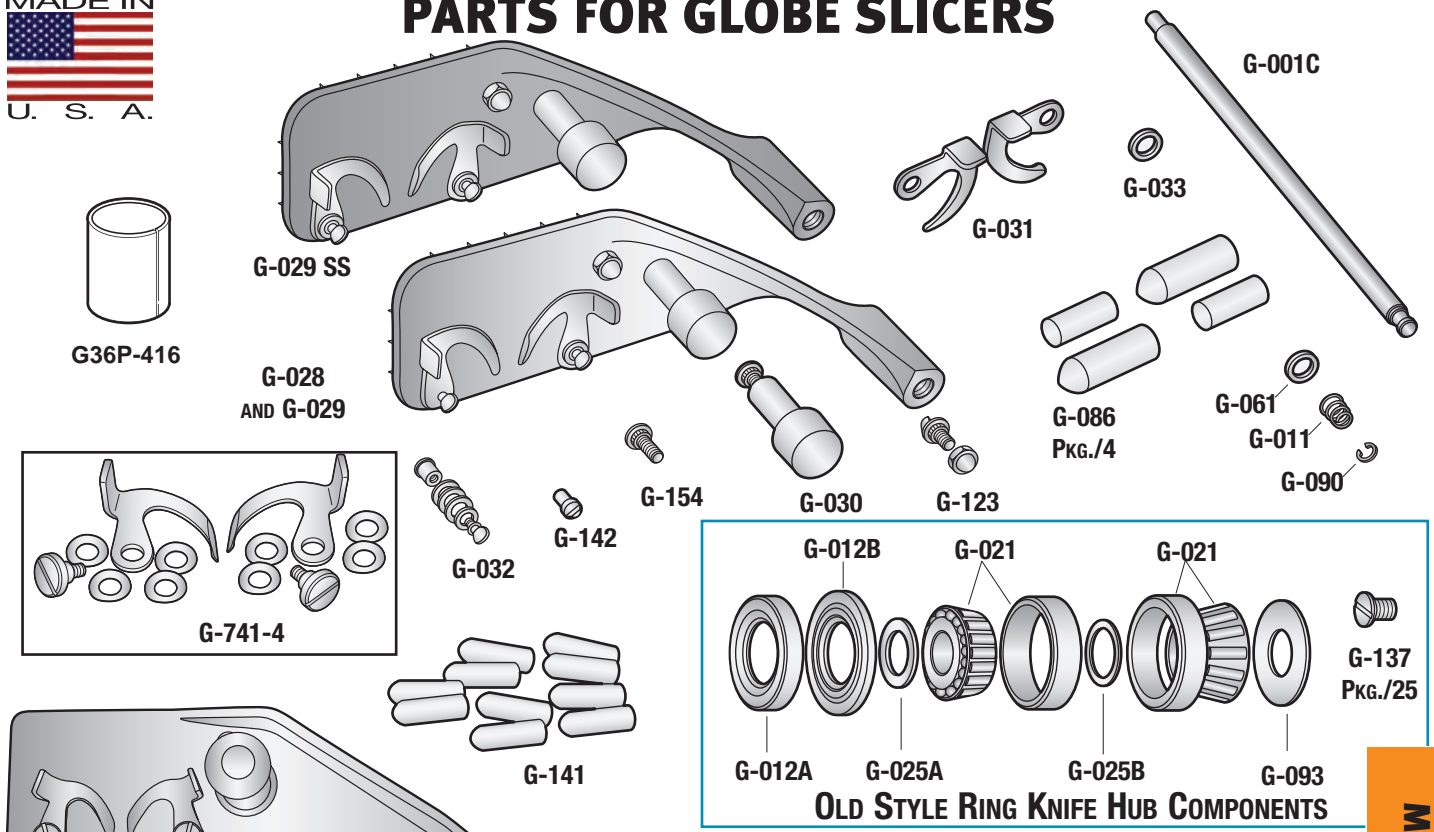


FITS MODELS	3 6 0 0	3 8 5 0	3 9 7 5	4 6 0 0 P	4 9 7 5 P	4 9 1 3
-------------	------------------	------------------	------------------	-----------------------	-----------------------	------------------

ALFA #	GLOBE #	DESCRIPTION	3 6 0 0	3 8 5 0	3 9 7 5	4 6 0 0 P	4 9 7 5 P	4 9 1 3
G-019N	747-17N	Wide Key Slot Nylon Gear - Heavy Duty	X	X	X			
G-020P	1059	Plastic Motor Gear	X	X	X	X	X	X
G-056	1056	Spring Loaded Cover Knob	X	X	X	X	X	X
G-083	1083	Spacer	X	X	X	X	X	X
G-193	1193	Plug - Knife Guard Support	X	X	X	X	X	X
G-195	1195	Knife Bolt Assembly	X	X	X			
G-215	1215	Bowed Washer	X	X	X			
G-221	1221	Thrust Washer	X	X	X			
G-237	1237	Standoff	X	X	X	X	X	X
G-241	1241	Retainer Shroud Gasket	X	X	X	X	X	X
G-410	4100020-S	Motor Worm Gear (Steel)	X	X	X	X	X	X
G-1037	1037	Upper Bearing Housing	X	X	X			
G-1085	1085	Knife Shaft	X	X	X			
G-1087	1087	Retaining Ring, "C" Style	X	X	X	X	X	X
G-1090	1090	Knife Locating Hub	X	X	X			
G-1094	1094	Knife Hub Bearing Assembly (Nylon)	X	X	X			

The above parts are sold by Alfa International as replacement parts for Globe Slicers. Alfa is not affiliated with Globe.

PARTS FOR GLOBE SLICERS



MEAT SLICERS

**G-741-APC
 G-741-APC-CH**

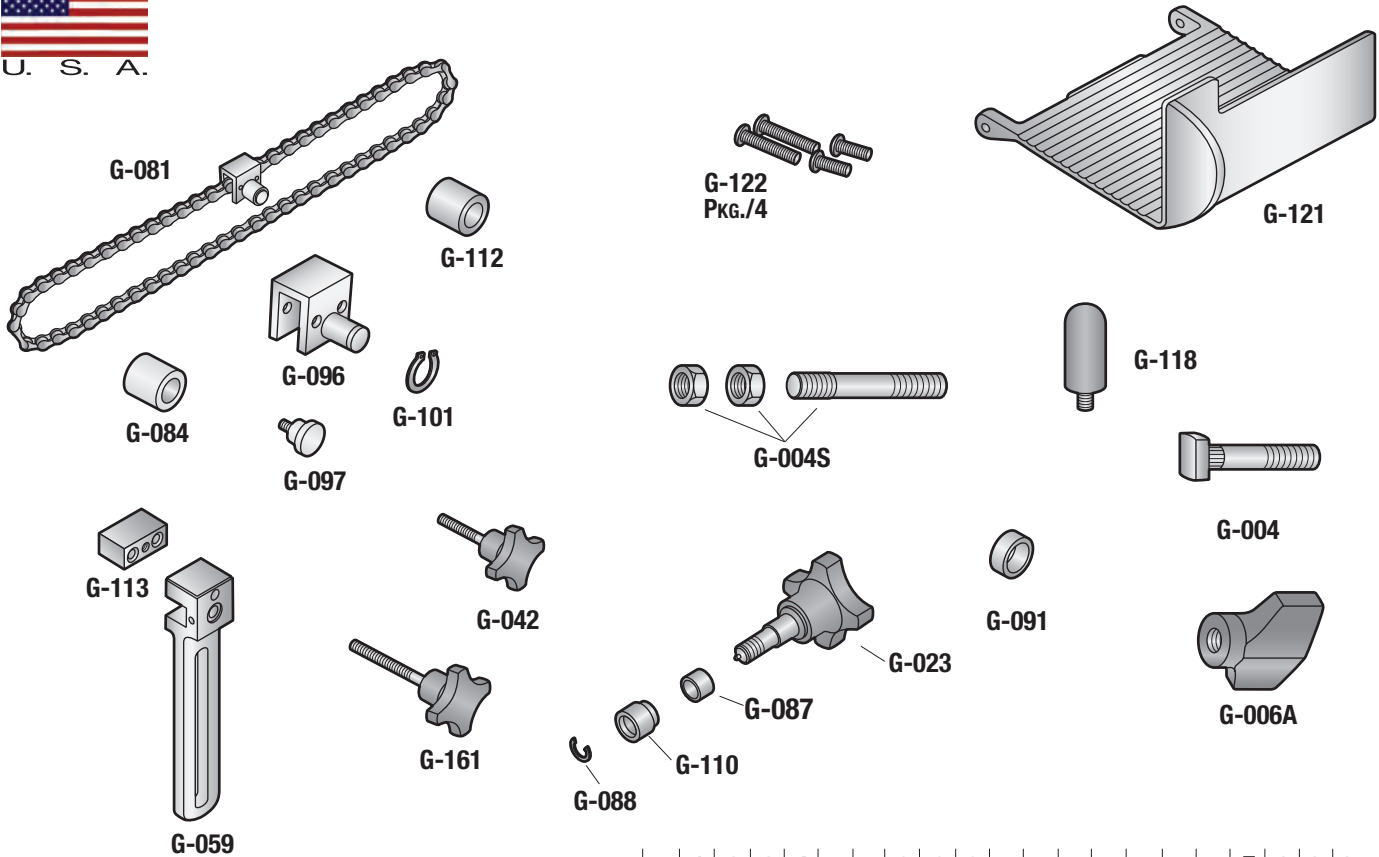
FITS MODELS

ALFA #	GLOBE #	DESCRIPTION	75	15	20	30	40	50	50L	51	60	66	71	71	72	72	72	72	75	75	81	82	82	85	85	87	87	35	36	45	
G-001C	741-1	Stainless Steel End Weight Rod		x		x	x	x	x	x	x	x	x	x	x	x	x	x	x	x	x	x	x	x	x						
G-011	306-1	End Weight Rod Spring	x	x		x	x	x	x	x	x	x	ax	x	x	x	x	x	x	x	x	x	x	x							
G-012A	380	Knife Plate Coupling Seal		x	x					x	x	x	x																		
G-012B*	382-2	Knife Plate Coupling Seal		x	x					x	x	x	x																		
G-021	377	Knife Plate Bearing (2 Needed)		x	x					x	x	x	x																		
G-025A	381-A	Brass Knife Plate Shims (Pkg./12)		x	x		x	x	x	x	x	x	x	x	x	x	x	x	x	x	x	x	x	x							
G-025B	381	Knife Plate Paper Shims (Pkg./12)		x	x					x	x	x	x																		
G-028	441-PC	End Weight Assembly-Long (Old Style)		x						x	x	x							x												
G-029	741-APC-AS	End Weight Assembly-Long (New Style)				x	x	x	x			x	x	x	x	x	x	x	x	x	x	x	x	x			x	x	x		
G-029 SS*	741-SS APC	S/S End Weight Assembly (Also fits 2850V)				x	x	x	x																	x	x	x	x	x	
G-030	741-3	End Weight Handle and Stud		x		x	x	x	x	x	x	x	x	x	x	x	x	x	x	x	x	x	x	x	x			x	x	x	
G-031	741-PC2/3	End Weight Prong Set		x	x		x	x	x	x	x	x	x	x	x	x	x	x	x	x	x	x	x	x	x			x	x	x	
G-032	741-PC1/5/6	Prong Fastener Set		x	x		x	x	x	x	x	x	x	x	x	x	x	x	x	x	x	x	x	x				x	x	x	
G-033	291-312	End Weight Slide Bushing (Bronze)		x		x	x	x	x	x	x	x	x	x	x	x	x	x	x	x	x	x	x	x							
G-061	307-1	End Weight Rod Spacer		x	x		x	x	x	x	x	x	x	x	x	x	x	x	x	x	x	x	x	x							
G-086	741-4/5A	Slide Bumper Set (Pkg./4)		x	x		x	x	x	x	x	x	x	x	x	x	x	x	x	x	x	x	x	x				x	x	x	
G-090	487-3	End Weight Rod Clip		x	x		x	x	x	x	x	x	x	x	x	x	x	x	x	x	x	x	x	x							
G-093*	383	Knife Plate Washer		x	x					x	x	x	x																		
G-123	747-2A+B	End Weight Lock Pin (w/Nut)				x	x	x	x			x	x	x	x	x	x	x	x	x	x	x	x	x				x	x	x	
G-137	375	Knife Mounting Screw (Pkg./25)		x	x					x	x	x	x						x												
G-141	N/A	Bumper Set, 3/16 (Pkg/10)		x	x	x	x	x	x	x	x	x	x	x	x	x	x	x	x	x	x	x	x	x	x	x	x	x	x	x	x
G-142	499	End Weight Lock Button		x		x	x	x	x	x	x	x	x	x	x	x	x	x	x	x	x	x	x	x							
G-154	741-3A	End Weight Handle Stud				x	x	x	x			x	x	x	x	x	x	x	x	x	x	x	x	x							
G36P-416	741-6	End-Weight Bushing		x	x	x	x	x	x			x	x	x	x	x	x	x	x	x	x	x	x	x				x	x	x	x
G-741-APC	741-SS-APC	End Weight Stainless Steel																													
G-741-APC-CH	Same	End Weight (Chrome)																													
G-741-4	741-SS4	Prong Set Stainless Steel																													

*Available while current stock lasts.

The above parts are sold by Alfa International as replacement parts for Globe Slicers. Alfa is not affiliated with Globe.

PARTS FOR GLOBE SLICERS

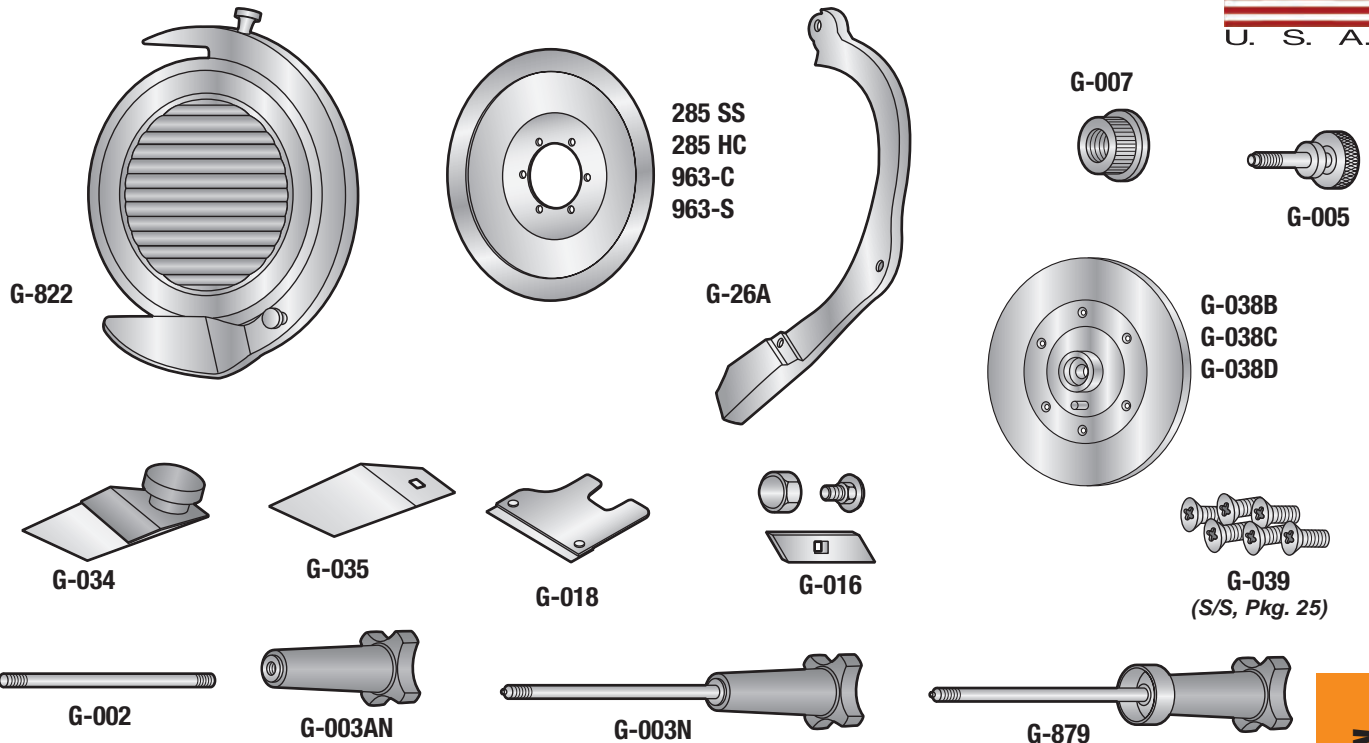


ALFA #	GLOBE #	DESCRIPTION	FITS MODELS																							
			75	150	285	300	400	500	500L	510	610	660	685	710	715	720	725L	760	765	770	775L	775L	815	820	825L	825L
G-004	481-1	Chute Support T-Bolt	X	X	X	X	X	X	X	X	X	X	X	X	X	X	X	X	X	X	X	X	X	X	X	X
G-004S*	N/A	T-Bolt Replacement Stud Kit		X	X	X	X	X	X	X	X	X	X	X	X	X	X	X	X	X	X	X	X	X	X	X
G-006A	796B-685	Chute Support Knob	X	X	X	X	X	X	X	X	X	X	X	X	X	X	X	X	X	X	X	X	X	X	X	X
G-023	707-B	Chute Arm Knob (Manual)			X	X	X	X		X	X															
G-042	833-A	Chute Chain Slide Stud Assembly													X	X			X	X			X	X		
G-059	830	Chain Slide (New Style - fits 725, 775, 825 - Not "L" suffix)													X	X			X	X			X	X		
G-081	766-2B	64 Link Slide Chain (Includes G-084, G-096 & G-101)													X	X			X	X			X	X		
G-084	766-5-S	Chain Connector Roller												X	X	X		X	X	X	X	X	X	X	X	X
G-087	703-1	Chute Arm Bushing Sleeve			X	X	X	X			X															
G-088	708	Chute Arm Knob Retaining Clip			X	X	X	X			X															
G-091	853-1	Hinge Pin Bushing			X	X	X	X			X															
G-096	612	Slide Chain Drive Block												X	X	X		X	X	X	X	X	X	X	X	X
G-097	821-4	Chain Guard Knob												X	X			X	X			X	X		X	X
G-101	766-6	Chain Connector Clip											X	X	X	X	X	X	X	X	X	X	X	X	X	X
G-110	791	Chute Arm Bushing	X		X	X	X	X		X	X			X	X	X	X	X	X	X	X	X	X	X	X	X
G-112	762-4	Chain Sprocket Bushing											X	X	X		X								X	
G-113	831	Chain Slide Block												X	X			X	X			X	X		X	X
G-118	482-B	Chute Support Handle (SS)		X	X	X	X	X	X	X	X	X	X	X	X	X	X	X	X	X	X	X	X	X	X	X
G-121	740	Chute (Meat Table)		X	X	X	X	X	X	X	X	X	X	X	X	X	X	X	X	X	X	X	X	X	X	X
G-122	439-1/439	Chute Support Screw Kit (Pkg./4)			X	X	X	X			X			X	X	X	X	X	X	X	X	X	X	X	X	X
G-161	909-1	Chain Slide Knob Assembly							X	X	X							X			X					

* Comes with instructions.

The above parts are sold by Alfa International as replacement parts for Globe Slicers. Alfa is not affiliated with Globe.

PARTS FOR GLOBE SLICERS



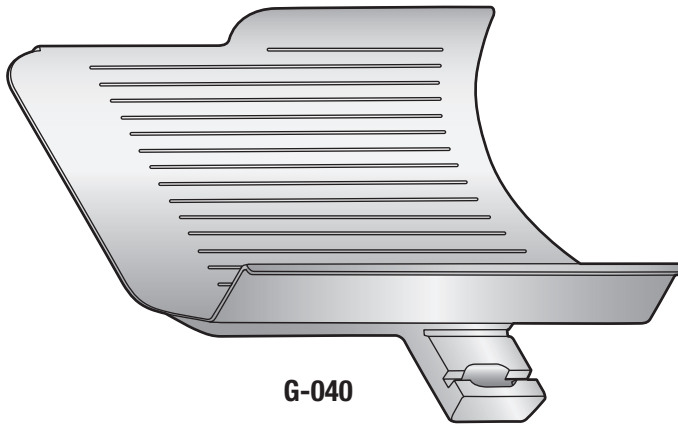
SERVICE TIP: G-822 Knife Guard does not come with G-038B, C, and D Supports or G-039 Mounting Screws.

ALFA #	GLOBE #	DESCRIPTION	FITS MODELS																					
			75	150	280	300	400	500	500L	510	610	660	685	710	715	720	725L	760	765	770	775L	815	820	825L
G-002	386	Knife Center Plate Stud	x	x	x	x	x	1	x	x	x	x	x	x	x	x	x	x	x	x	x	x	x	2
G-003AN	799	Center Plate Support Knob Only	x	x	x	x	x	1	x	x	x	x	x	x	x	3	x	x	x	4	x	x	2	
G-003N	879-1	Center Plate Support Knob & Shaft	x	x	x	x	x	x	x	x	x	x	x	x	x	x	x	x	x	x	x	x	x	
G-005	476-246	Knife Guard Knob & Stud																						
	652/817	Head Assembly		x	x				x	x	x	x	x	x			x	x			x			
G-007	385-1	SS Center Plate Support Insert	x	x	x	x	x	x	x	x	x	x	x	x	x	x	x	x	x	x	x	x	x	
G-016	253	Blade Scraper Clamp Assembly		x	x				x	x	x	x	x	x			x	x			x			
G-018	215A	Blade Scraper Nylon/Steel	x	x	x				x	x	x	x	x	x			x	x			x			
G-26A	444A	Aluminum Knife Guard (Old Style)	x	x	x				x	x	x	x	x	x			x	x			x			
G-034	829-1,2,3,4	Scraper/Clamp Assy. (New Style)				x	x	x							x	x					x	x	x	
G-035	829-2	Knife Scraper Blade Only				x	x	x							x	x					x	x	x	
G-038B	384-1	Center Plate Support											x	x										
G-038C	384-2	Center Plate Support				x							x	x			x	x			x			
G-038D	384-3	Center Plate Support				x	x	x							x	x					x	x	x	
G-039	261	Center Plate Screws (S/S, Pkg./25)	x	x	x	x	x	x	x	x	x	x	x	x	x	x	x	x	x	x	x	x	x	
G-822	915-5	Knife Guard w/o G-038D Support				x	x	x							x	x					x	x	x	
G-879	879	Knife Guard Interlock Assembly						x							x						x		x	
285 HC	746-BP	Slicer Blade (German)			x	x	x	x				x	x	x	x		x	x	x	x	x	x	x	
285 SS	746SS-BP	Slicer Blade (German)			x	x	x	x				x	x	x	x		x	x	x	x	x	x	x	
963-C	963-HC	Slicer Blade (German)			x	x	x	x				x	x	x	x		x	x	x	x	x	x	x	
963-SS	963-S	Slicer Blade (German)			x	x	x	x				x	x	x	x		x	x	x	x	x	x	x	

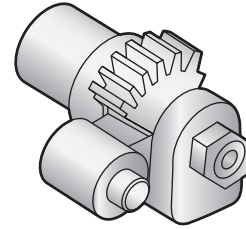
1 FITS MODEL 500 ONLY 2 FITS MODEL 825 ONLY 3 FITS MODEL 725 ONLY 4 FITS MODEL 775 ONLY

The above parts are sold by Alfa International as replacement parts for Globe Slicers. Alfa is not affiliated with Globe.

PARTS FOR GLOBE SLICERS



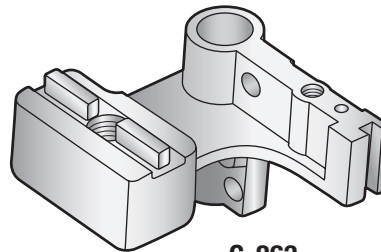
G-040



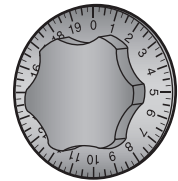
G-041



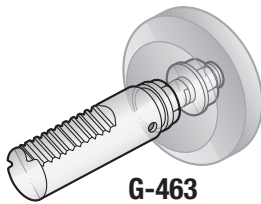
G-092



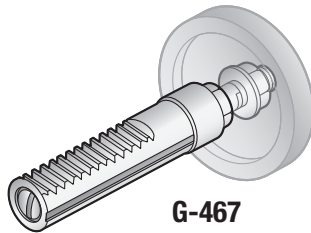
G-863



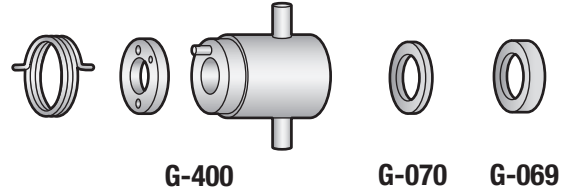
G-074



G-463



G-467



G-400

G-070

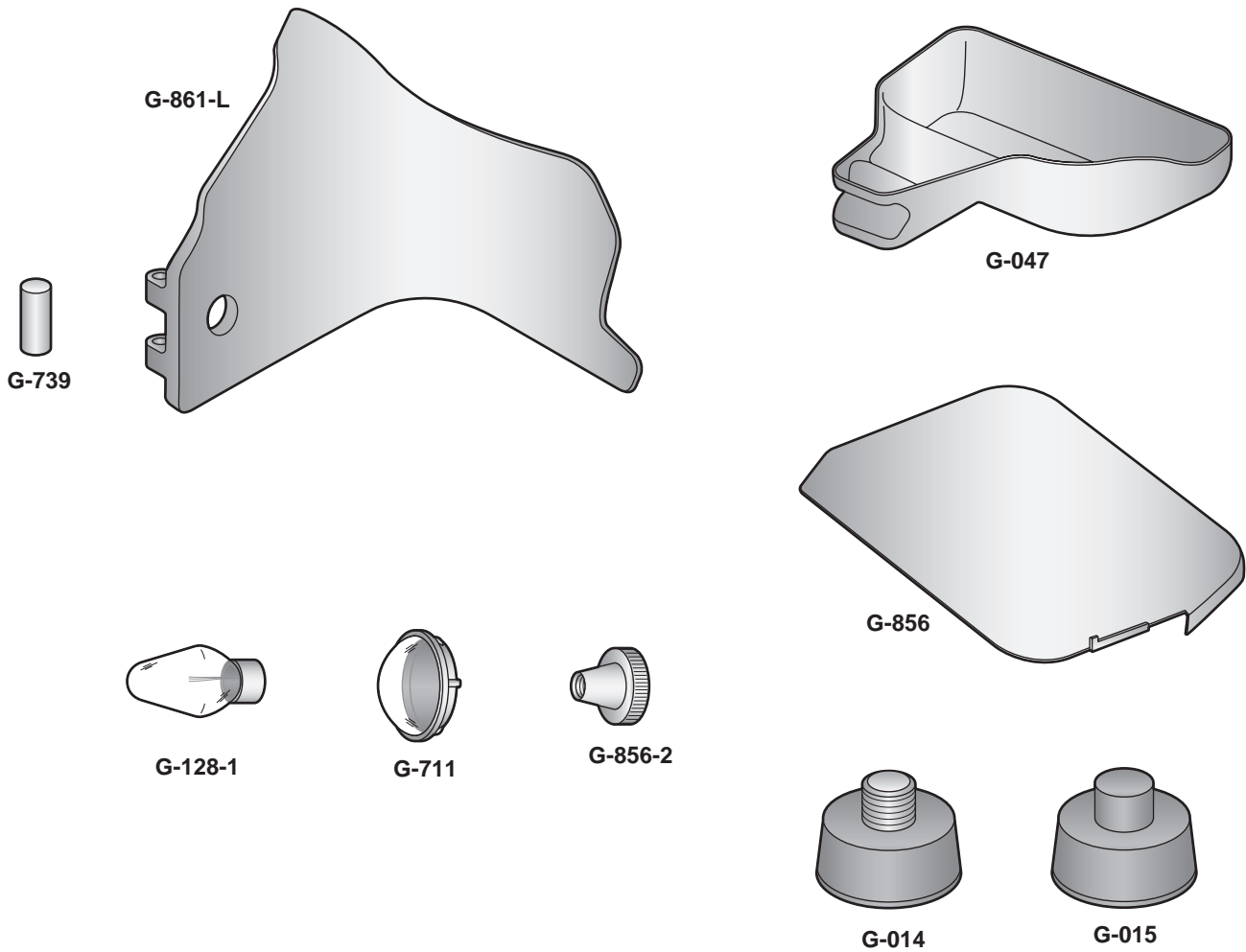
G-069

MEAT SLICERS

ALFA#	GLOBE #	DESCRIPTION	FITS MODELS																											
			750	150	280	380	400	500L	500	610	660	685	715	725L	750	760	775L	815	825L	250	275	285V	350	370	385	395	470	475	485	
G-040	494-SS	Stainless Steel Meat Table with Support (Old Style)	x	x																										
G-041	453-AS	Table Adjustment Gear Assy.	x	x	x	x	x	x	x	x	x	x	x	x	x	x	x	x	x	x	x	x	x	x	x	x	x			
G-069	436-5NS	Slide Bumper (Auto)			x	x	x	x	x	x	x	x	x	x	x	x	x	x	x	x	x	x	x	x	x	x	x			
G-070	436-1	Slide Bumper (Manual)	x	x	x	x	x	x	x	x	x	x	x	x	x	x	x	x	x	x	x	x	x	x	x	x	x			
G-074	510020	Table Adjusting Knob (also fits GC512 Slicer)	x	x																										
G-092	349-A	Slide Shim Set (12 Assorted)	x	x	x	x	x	x	x	x	x	x	x	x	x	x	x	x	x	x	x	x	x	x	x	x				
G-400	N/A	Spacer Ring Adj. Wrench	x	x																										
G-463	463-AS	Grind Stone Spindle	x	x	x	x	x	x	x	x	x	x	x	x	x	x	x	x	x	x	x	x	x	x	x	x	x	x	x	x
G-467	467-AS	Truing Stone Spindle	x	x																										
G-863	863	Table Slide (New Style)																												
075 SG	214A	Grinding Stone - Grey	x	x	x	x	x	x	x	x	x	x	x	x	x	x	x	x	x	x	x	x	x	x	x	x	x	x	x	x
075 SW	214-1	Grinding Stone - White	x	x	x	x	x	x	x	x	x	x	x	x	x	x	x	x	x	x	x	x	x	x	x	x	x	x	x	x
075 T	213	Truing Stone	x	x	x	x	x	x	x	x	x	x	x	x	x	x	x	x	x	x	x	x	x	x	x	x	x	x	x	x

The above parts are sold by Alfa International as replacement parts for Globe Slicers. Alfa is not affiliated with Globe.

PARTS FOR GLOBE SLICERS



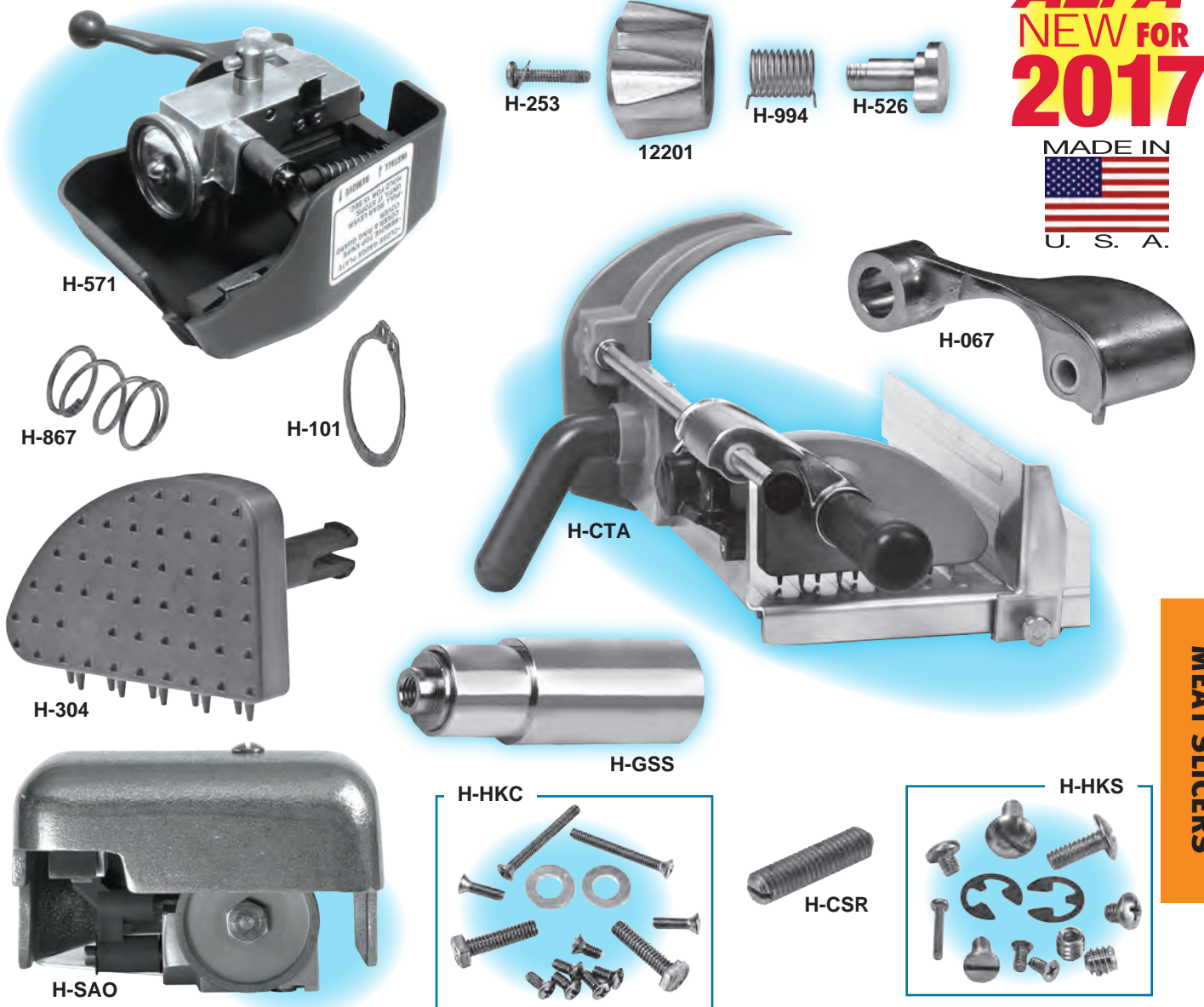
FITS MODELS

ALFA #	GLOBE #	DESCRIPTION	75	150	280	300	400	500-500L	510	610	660	685	710	715	720	725-725L	760	765	770	775-775L	815	820	825-825L	360	
G-014	817	Rubber Support Foot (Screw)			X	X	X	X	X			X	X	X	X	X	X	X	X	X	X	X	X	X	X
G-015	263	Rubber Support Foot (Plain)	X	X	X				X	X	X	X	X	X		X	X				X				
G-047	526/758 P	Waste Bucket (Plastic)			X	X	X	X				X		X	X	X	X	X	X	X	X	X	X	X	X
G-128-1	710-1	Pilot Light Bulb				X	X	X		X					X				X					X	
G-711	711	Pilot Lens Cap			X	X	X	X		X	X				X				X					X	
G-739	739-3	Deflector Hinge Pin (Each)			X	X	X	X			X		X	X	X		X	X	X	X	X	X	X	X	X
G-856	856	Stainless Steel Receiving Tray						X							X				X						
G-856-2	856-2	Receiving Tray Retainer Knob						X							X				X						
G-861-L	861-L-AS	Deflector with Light Hole					X	X	X						X				X					X	

The above parts are sold by Alfa International as replacement parts for Globe Slicers. Alfa is not affiliated with Globe.

PARTS FOR HOBART SERIES 2000 SLICERS

ALFA
NEW FOR
2017



MEAT SLICERS

ALFA #	HOBART#	DESCRIPTION	FITS HOBART MODELS
H-067	913067	Feed Arm Ass'y	2612, 2712, 2812, 2912
H-101	RR-10-18	Retaining Ring	2612, 2712, 2812, 2912
H-253	SC-122-53	Screw, Top Cover Knob*	2612, 2712, 2812, 2912
H-266	875266	Knob, Locking Top Cover*	2612, 2712, 2812, 2912
H-304	875304	Meat Grip	2612, 2712, 2812, 2912
H-526	875265	Stud, Locking Cover*	2612, 2712, 2812, 2912
H-571	00-914571	Sharpener Ass'y	3613, 3613N, 3713, 3713N, 3813, 3183N, 31913, 3913N, HS6, HS6N, HS6-PHD, HS7, HS7N, HS7-PHD, HS8, HS8N, HS9, HS9N
H-867	119867	Spring, Grind Stone E Series,	1612E, 1712E, 1712RE, 1812, 1912
H-994	437994	Spring, Top Cover Knob*	2612, 2712, 2812, 2912
H-CSR	N/A	Carriage Stud, Repair	2612, 2712, 2812, 2912
H-CTA	N/A	Carriage Tray Ass'y	2612, 2712, 2812, 2912
H-GSS	N/A	Grind Stone Spindle	1612E, 1712E, 1712RE, 1812, 1912
H-HKC	N/A	Hardware Kit for Carriage	2612, 2712, 2812, 2912
H-HKS	N/A	Hardware Kit, Sharpener	2612, 2712, 2812, 2912
H-SAO	N/A	Sharpener Ass'y, "Old Style" w/out handle. (Actuator handle is on machine)	2612, 2712, 2812, 2912

* For the complete Top Cover Knob Assembly, order Part # H-167 (see page 62).

The above parts are sold by Alfa International as replacement parts for Hobart Slicers. Alfa is not affiliated with Hobart.

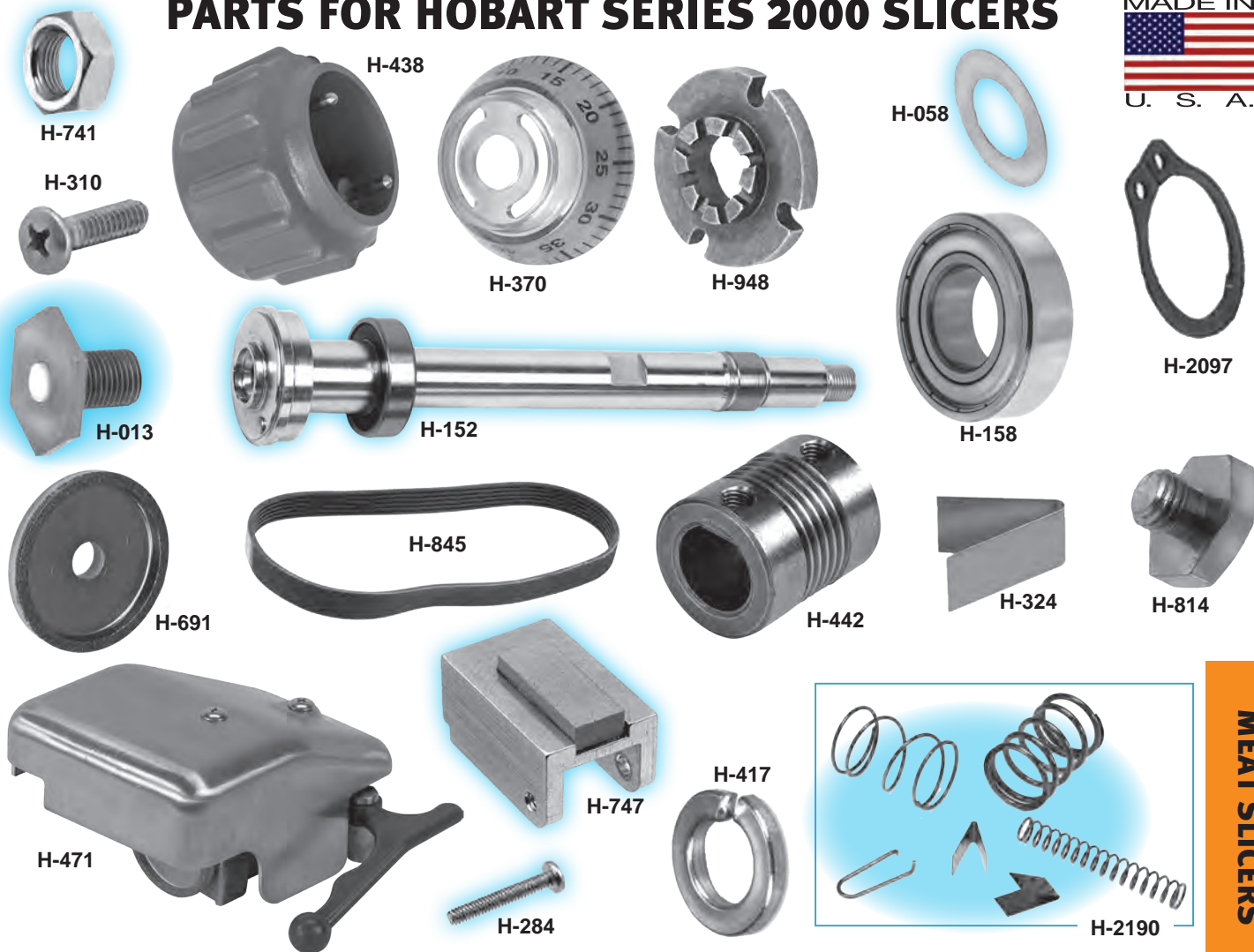
PARTS FOR HOBART SERIES 2000 SLICERS



ALFA PART #	HOBART PART #	DESCRIPTION	FITS MODELS
H-117	295117	Fence, SS, 3" tall	All Models except 2812AL
H-118	295118	Low Fence Carriage, 1.75" tall	2000 Series
H-119	WS-021-19	Washer, Slide Rod 5pk	All Models
H-167	N/A	Knob Assembly, Top Cover Knob	2612, 2712, 2812, 2912
H-254	478254	Meat Grip Bushing	2612, 2712, 2812, 2912
H-265	478265	Label, Speed Select	2912
H-274	478274	Label, Auto / Manual	2712, 2912
H-320	875320	Meat Grip Handle	2000 Series
H-345	875345	Carriage Handle	2000 Series
H-350	875350	Hanger Cap, Meat Grip	2612, 2712, 2812, 2912
H-354	875354	Slide Rod and Knob Assembly	2000 Series
H-355	875355	Product Deflector	2000 Series
H-357	875357	Meat Grip Hanger	2000 Series
H-360	875360-1	Support for Carriage Tray	2612, 2712, 2812, 2912
H-463	479463	Meat Grip Handle Washer	2000 Series
H-544	479544-3	Meat Grip Assy	2612, 2712, 2812, 2912
H-646	875646	Carriage Tray	2612, 2712, 2812, 2912
H-735	477735	Label, Start / Stop	2212, 2612, 2712, 2812, 2912
H-830	479740 or 873830-6	Top Cover, Knife	2612, 2712, 2812, 2912
H-890	438890	Cam Shaft	2000 Series
H-984	290984	Fence Thumb Screw	2612, 2712, 2812, 2912
H-2100	N/A	Repair Kit, Camshaft	2612, 2712, 2812, 2912

The above parts are sold by Alfa International as replacement parts for Hobart Slicers. Alfa is not affiliated with Hobart.

PARTS FOR HOBART SERIES 2000 SLICERS

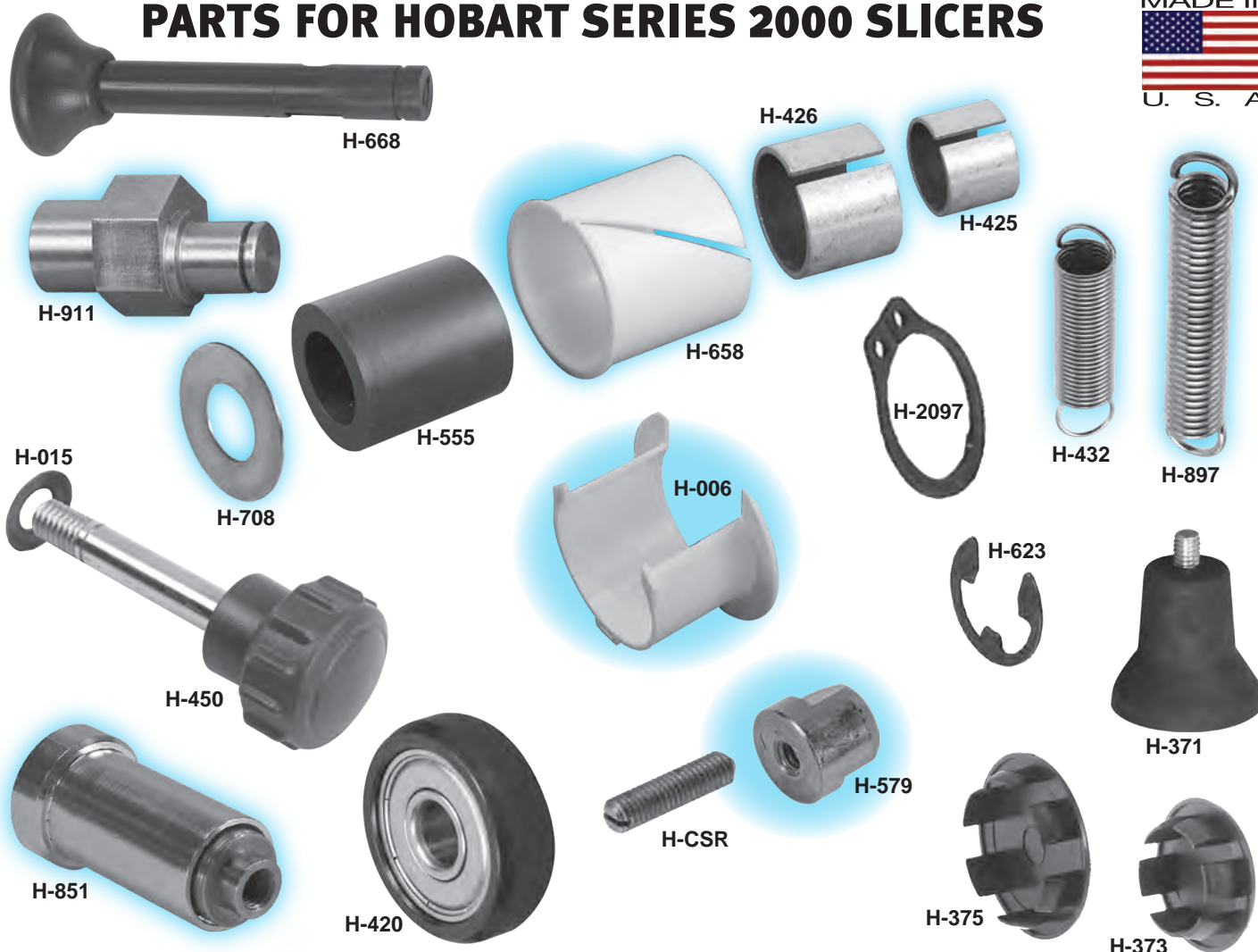


MEAT SLICERS

ALFA PART #	HOBART PART #	DESCRIPTION	FITS MODELS
H-013	73356-2	Thrust Screw, Knife Shaft	1612, 1712, 2612, 2712, 2812, 2912
H-058	WS-30-58	Index Cam Washer	2000 Series
H-152	438915-2	Knife Shaft Assembly	2000 Series
H-158	BB-15-08	Knife Shaft Bearing	2000 Series and E Series
H-284	SC-122-84	Screw, Truing Stone	2612, 2712, 2812, 2912
H-310	SC-23-10	Screw, SS, 5/PK	1612, 1712, 1812, 1912, 2612, 2712, 2812, 2912
H-324	45324	Truing Stone Spring	1612E, 1712E, 1712RE, 1812, 1912, 2612, 2712, 2812, 2912
H-370	875370	Dial Assembly	2000 Series
H-417	WL-4-17	Knife Shaft Lockwasher	2000 Series
H-438	439085	Indexing Knob	2000 Series
H-442	438844-2	Motor Sheave for Poly V Belt	2612, 2712, 2812, 2912
H-471	873847-1	Sharpener Assembly	2000 Series
H-691	439691	Steel Grinding Wheel w/ Diamond Edge	2000 Series
H-741	NS-17-41	Knife Shaft Nut	2000 Series
H-747	478747	Truing Stone, Diamond	1812, 1912, 2612, 2712, 2812, 2912
H-814	435814	Screw, Retaining Ring	1612E, 1712E, 1712RE, 1812, 1912, 2612, 2712, 2812, 2912
H-845	438845	Poly "V" Belt	2612, 2712, 2812, 2912
H-948	76948	Index Disc	1612, 1712, 1812, 1912, 2612, 2712, 2812, 2912
H-2097	RR-009	Retaining Ring Knife Shaft	2612, 2712, 2812, 2912
H-2190	N/A	Sharpener Spring Kit	2612, 2712, 2812, 2912

The above parts are sold by Alfa International as replacement parts for Hobart Slicers. Alfa is not affiliated with Hobart.

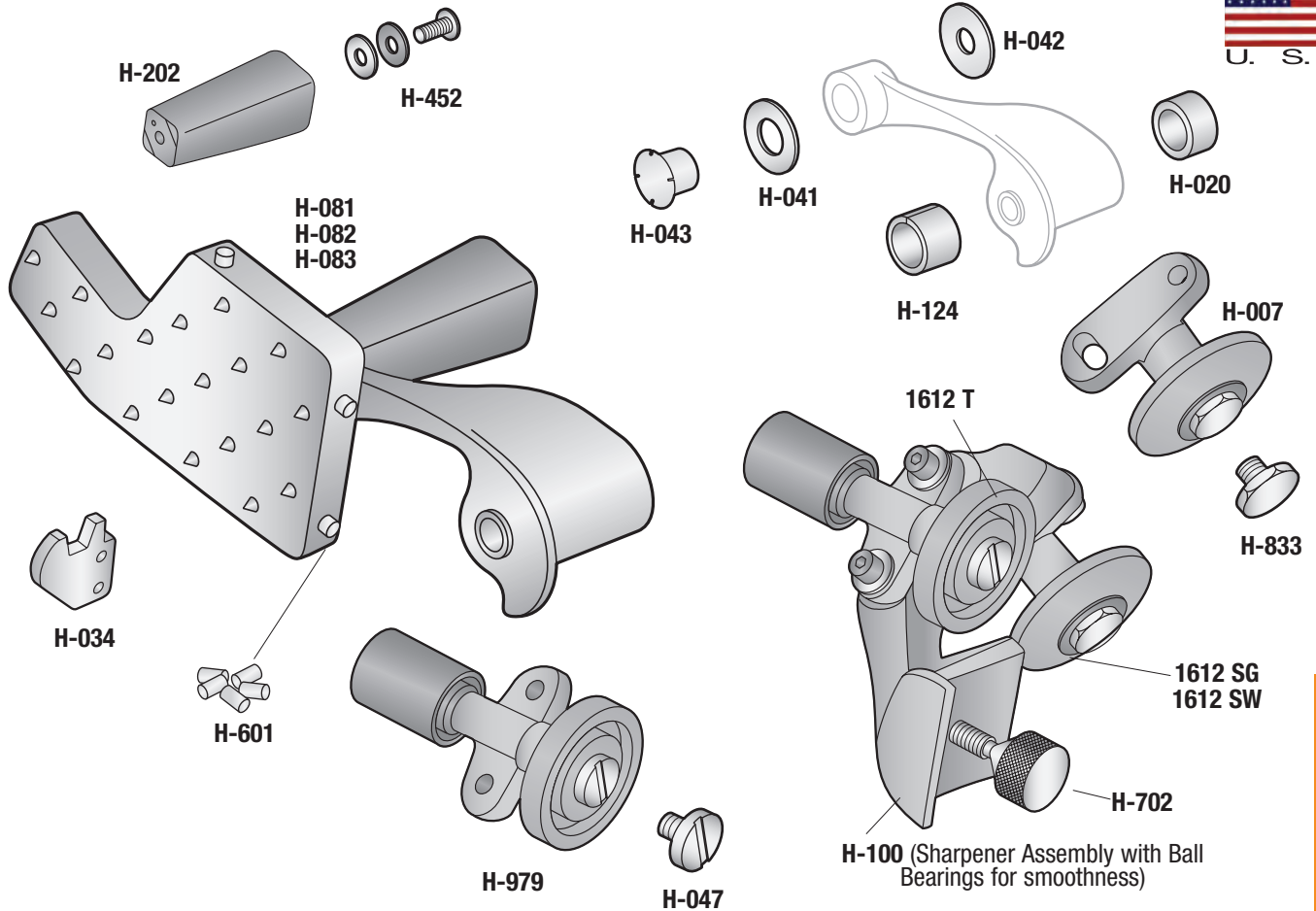
PARTS FOR HOBART SERIES 2000 SLICERS



ALFA PART #	HOBART PART #	DESCRIPTION	FITS MODELS
H-006	439006	Pivot Bearing	2612, 2712, 2812, 2912
H-015	A-107364	Washer, Carriage Mount	2612, 2712, 2812, 2912
H-2097	RR-009	Retaining Ring Knife Shaft	2612, 2712, 2812, 2912
H-371	875371	Foot, tall	2612, 2812
H-373	875373	Large Hole Plug	2000 Series
H-375	875375	Small Hole Plug	2000 Series
H-420	478420	Transport Roller Assembly	2000 Series
H-425	478425	Bushing, Anti-Rotation Rod	2612, 2712, 2812, 2912
H-426	478426	Bushing, Index Slide	2612, 2712, 2812, 2912
H-432	478432	Index Backlash Spring	2612, 2712, 2812, 2912
H-450	875450	Tray Assembly Knob	2612, 2712, 2812, 2912
H-555	477555	Bumper	2000 Series
H-579	875039	Carriage Nut	2612, 2712, 2812, 2912
H-623	RR-6-23	Roller Transport Retainer Ring	
H-658	875658	Bearing Transport	2000 Series
H-668	875668	On/Off Knob	2000 Series
H-708	435708	S/S Back Up Washer	2000 Series and E Series
H-851	873851	Plunger and Bearing Assembly	2000 Series
H-897	438897	Plate Pivoting Spring	2612, 2712, 2812, 2912
H-911	438911	Screw, Adjusting Carriage	2612, 2712, 2812, 2912
H-CSR	N/A	Carriage Stud, Repair	2612, 2712, 2812, 2912

The above parts are sold by Alfa International as replacement parts for Hobart Slicers. Alfa is not affiliated with Hobart.

PARTS FOR HOBART SLICERS

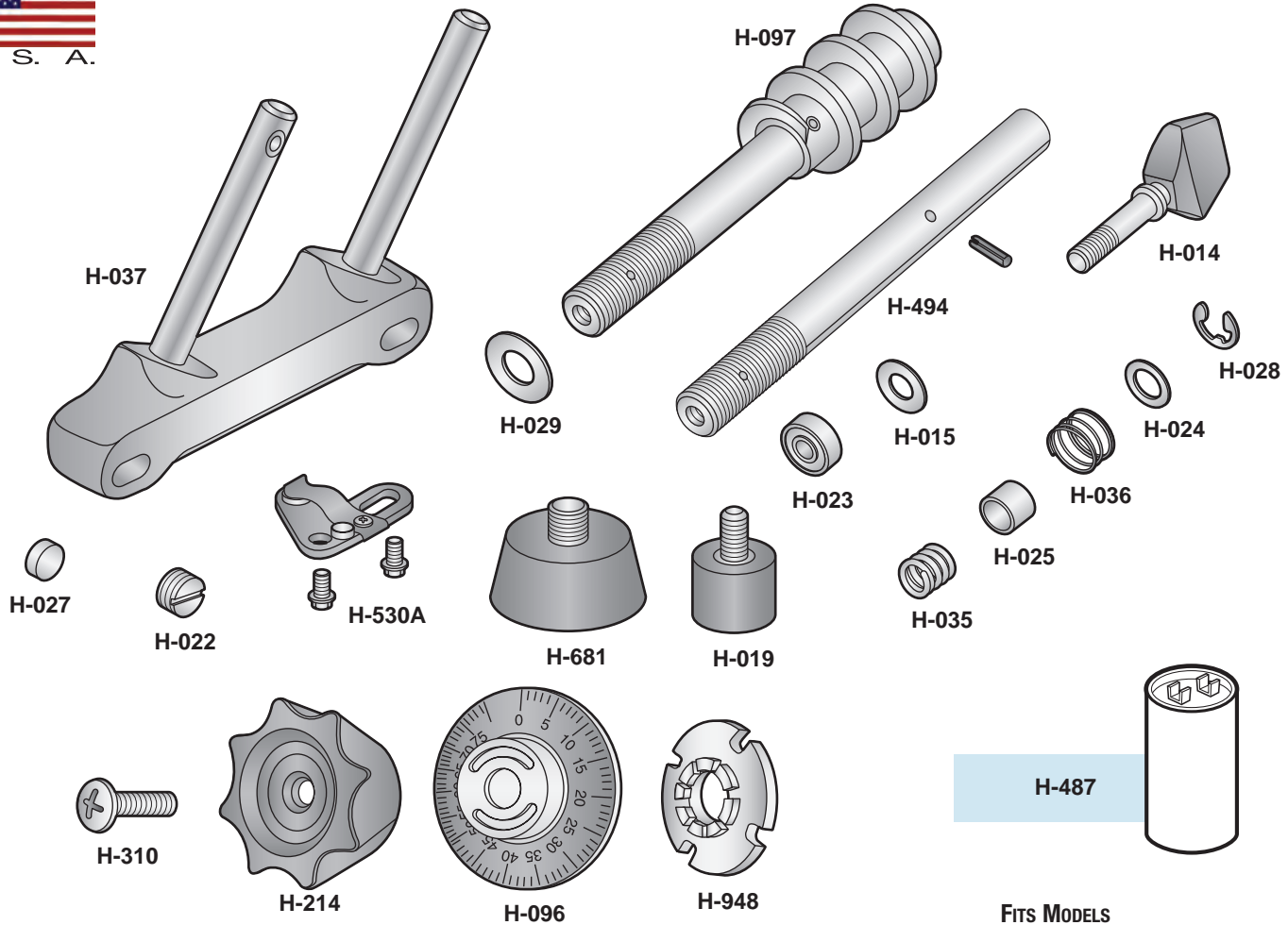


MEAT SLICERS

ALFA #	HOBART#	DESCRIPTION	FITS MODELS				
			512	1612	1712	1812	1912
H-007	M-74007	Grinding Stone Assembly with Stone		X	X		
H-020	M-75135	Meat Grip Bushing (2 required)		X	X		
H-034	M-72579	Meat Grip Retaining Clip		X	X		
H-041	M-70386	Meat Grip Washer		X	X		
H-042	437006	Meat Grip Handle Washer		X	X		
H-043	438280	Meat Grip Bushing (Plastic)		X	X		
H-047	M-3404-7	Truing Stone Retaining Screw		X	X		
H-081	N/A	Meat Grip Assembly (Aluminum)		X	X	X	X
H-082	437126	Meat Grip Assembly (Iron, Chrome Plated)		X	X	X	X
H-083	N/A	Meat Grip Assembly (Stainless Steel)		X	X	X	X
H-100	122794-4	Complete Sharpener Assembly with Stones & Ball Bearings for smoothness (O/S bottom mount)	X	X	X		
H-124	437124	Meat Grip Arm Bearing		X	X		
H-202	70202	Meat Grip Handle		X	X		
H-452	70344, 45	Handle Retaining Screw and Washers		X	X		
H-601	70360-1	Meat Grip Bumpers (5 per Pkg)		X	X		
H-702	B-109702	Sharpener Thumb Screw		X	X		
H-833	M-74833	Grinding Stone Retaining Screw		X	X		
H-979	M-73979	Truing Stone Assembly with Stone		X	X		
1612 SG	M-73851	Grinding Stone-Gray (Made in Germany)	X	X	X		
1612 SW	M-73851W	Grinding Stone-White (Made in Germany)	X	X	X		
1612 T	M-13201	Truing Stone (Made in Germany)	X	X	X		

The above parts are sold by Alfa International as replacement parts for Hobart Slicers. Alfa is not affiliated with Hobart.

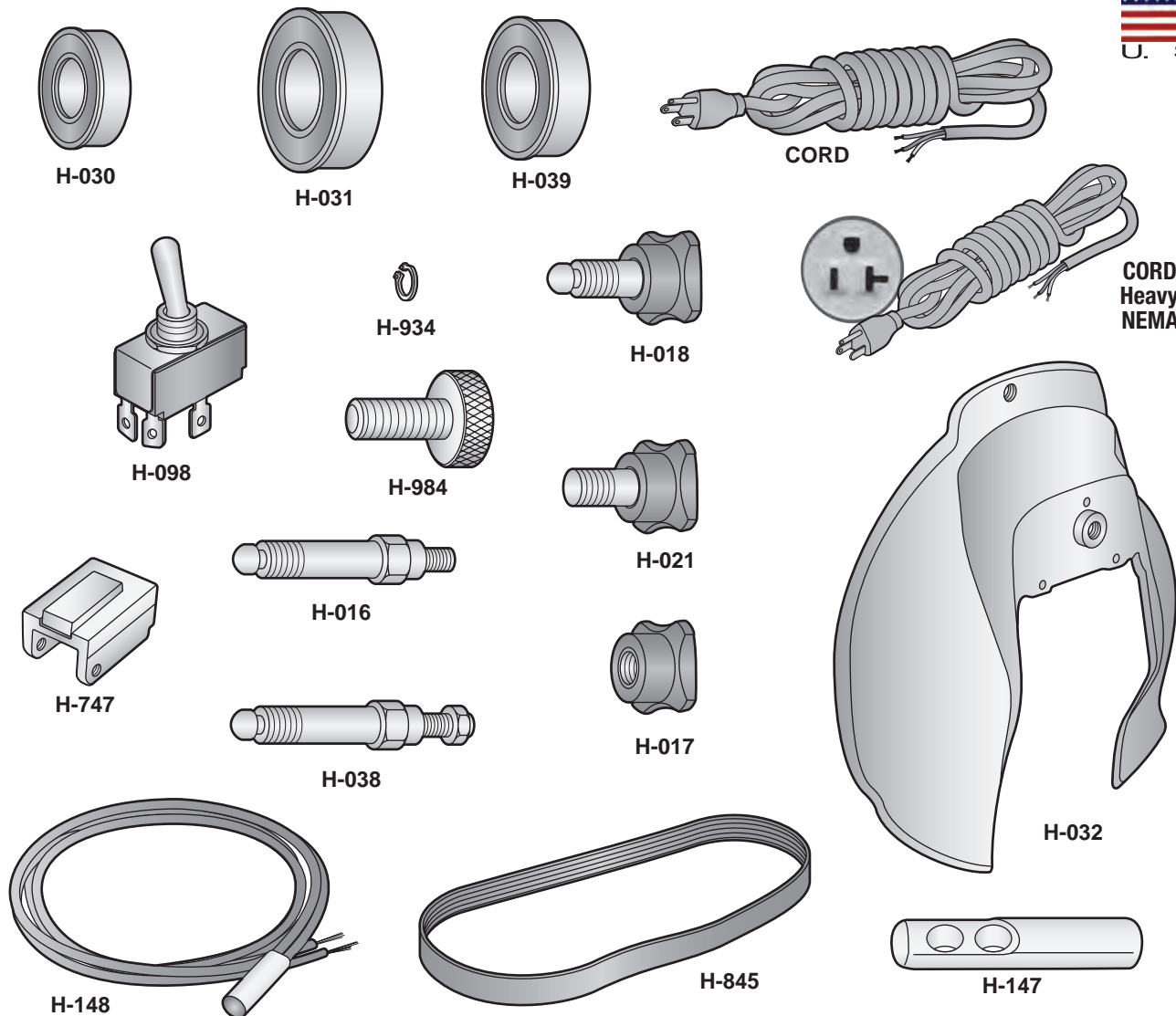
PARTS FOR HOBART SLICERS



ALFA #	HOBART#	DESCRIPTION	FITS MODELS			
			1612	1712	1812	1912
H-014	C-108197-5	Carriage Thumb Screw	X	X		
H-015	A-107364	Carriage Mount Washer	X	X		
H-019	B-18682-1	Rubber Support Foot with Threaded Stud	X			
H-022	M-86260	Carriage Adjusting Screw with "Nylok"	X	X		
H-023	BB-4-11	Carriage Rod Bearing	X			
H-024	V-21046-1	Carriage Washer Bumper	X	X		
H-025	M-88921	Carriage Bushing	X	X		
H-027	M-83416	Slide Rod Plug	X	X		
H-028	RR-9-15	Retaining Ring	X	X		
H-029	M-88298	Index Worm Washer	X	X		
H-035	V-12734	Slide Rod End Spring	X			
H-036	M-20622	Bumper Spring	X	X		
H-037	P88740-2	Gauge Plate Support Assembly	X	X		
H-096	118175	Slicer Thickness Index Dial (Ring only)	X	X		
H-097	87493/4/5	Index Shaft and Worm Assembly without Knob	X	X		
H-214	114214	Indexing Knob	X	X	X	X
H-310	SC-23-10	Stainless Steel Screw (5 per Pkg.)	X	X	X	X
H-487	70487-15	Motor-Starting Capacitor (Also Fits 1712R)	X	X		
H-494	87494	Index Shaft only - with Pin	X	X		
H-530A	M-70425	Indexing Plate and Spring Assembly with Roller	X	X		
H-681	M-83681	Support Foot		X		
H-948	76948	Index Disc	X	X	X	X

The above parts are sold by Alfa International as replacement parts for Hobart Slicers. Alfa is not affiliated with Hobart.

PARTS FOR HOBART SLICERS



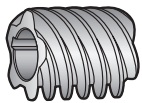
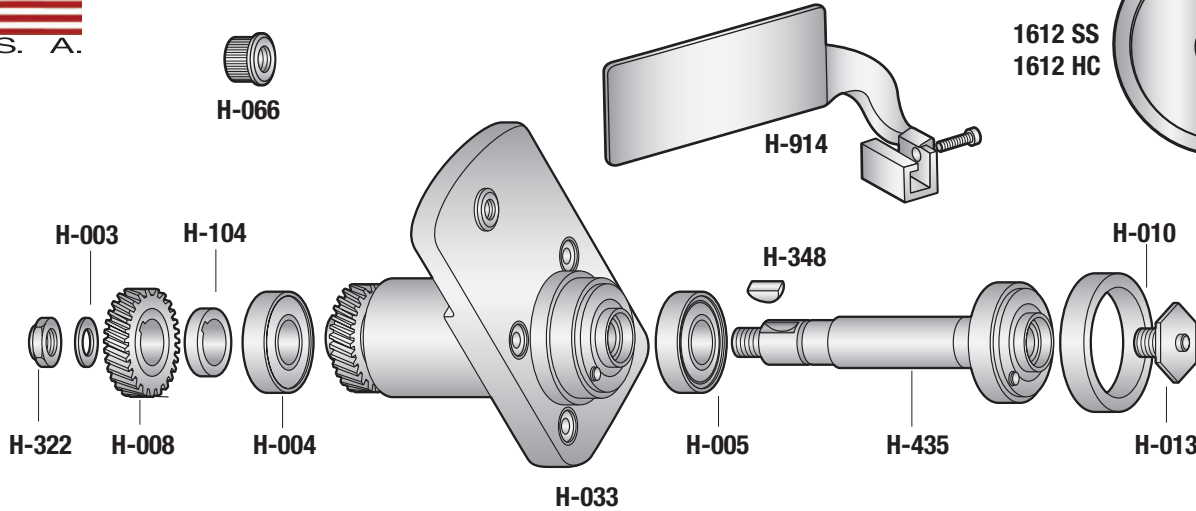
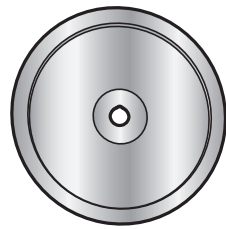
MEAT SLICERS

ALFA #	HOBART#	DESCRIPTION	FITS MODELS					
			1612	1712	2612	2712	2812	2912
CORD	B-117542-37	Cord and Plug-3 Wire, 16 Gauge	X	X				
H-016	M-70241	Knife Guard Center Stud	X	X				
H-017	P-70198	Center Stud Lock Knob	X	X				
H-018	P-70196	Back Knife Knob and Stud-Top	X	X				
H-021	P-118-484	Back Knife Knob and Stud-Center	X	X				
H-030	BB-18-12	Motor Bearing-Small	X	X				
H-031	BB-15-41	Motor Bearing-Large	X	X				
H-032	S-82952-2	Knife Guard-Back	X	X				
H-038	N/A	Stud Correcting Kit (Replaces H-016)	X	X				
H-039	BB-5-30	Motor Bearing-Medium	X	X				
H-098	B-8711-148	On/Off Toggle Switch	X	X				
H-147	N/A	Switch Rod Yoke	X	X				
H-148	N/A	Indicator Light	X	X				
H-747	478747	Truing Stone			X	X	X	X
H-845	438845	Poly "V" Belt			X	X	X	X
H-934	M-82934	Retaining Ring	X	X				
H-984	290984	Fence Thumb Screw	X	X	X	X	X	X

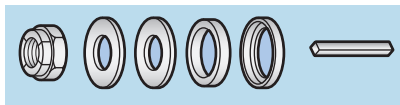
The above parts are sold by Alfa International as replacement parts for Hobart Slicers. Alfa is not affiliated with Hobart.

PARTS FOR HOBART SLICERS

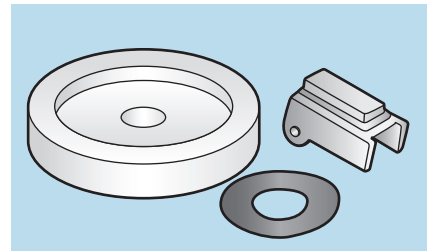
1612 SS
 1612 HC



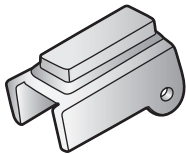
H-011



H-012



H-848



H-882



H-740



H-324



H-622

FITS MODELS

ALFA #	HOBART#	DESCRIPTION	1612	1712	1712R	1812	1912	2812
H-003	WS-8-9	Worm Gear Washer	X	X				
H-004	BB-18-43	Lower Main Bearing	X	X				
H-005	BB-16-22	Upper Main Bearing	X	X				
H-008	M-70302	Knife Shaft Worm Gear (Bronze)	X	X				
H-010	P-111154	Knife Shaft Ring	X	X				
H-011	M-70406	Motor Gear (Steel)	X	X				
H-012	NS-3223/WS750/V1777/8	Motor Gear Hardware Set	X	X				
H-013	73356	Knife Screw and Plug Assembly	X	X				
H-033	P-70348	Knife Shaft Hub Assembly	X	X				
H-066	70314-1	Knife Shaft Hub Insert (Steel)	X	X				
H-104*	V-104001	Worm Gear Thrust Washer	X	X				
H-322	NS-32-29	Knife Shaft Nut	X	X				
H-324	45324	Truing Stone Spring				X	X	
H-348	73348	Woodruff Key	X	X				
H-435	P-70435	Knife Shaft	X	X				
H-622	RR-6-22	Retaining Ring for Truing Arm				X	X	
H-740	PG-7-40	Truing Stone Pin, SS				X	X	
H-848	437848	Stone Repair Kit				X	X	
H-882	119882	Holder with Ceramic Truing Stone				X	X	
H-914	113914-3-4	Carriage High Fence Assembly	X	X	X			
1612 HC	N/A	Slicer Blade (Chrome, German)	X	X	X	X	X	X
1612 SS	275913-1	Slicer Blade (Stainless Steel, German)	X	X	X	X	X	X
28/1612 SS	439870-00005	Combo Slicer Blade (St. Steel, German)	X	X	X	X	X	X

(Note: Combo Blade also fits all 2000 series slicers)

* Available while inventory lasts.

The above parts are sold by Alfa International as replacement parts for Hobart Slicers. Alfa is not affiliated with Hobart.

**Ask Us About
BULK PRICING
& Save BIG
Today!**

Meat Grinders

NEW!!	AMERICAN EAGLE ELECTRIC MEAT GRINDER	70
	MC5 (DOMESTIC/HOUSEHOLD GRINDER)	70
	MC-12 GRINDER (& MC-22 & MC-32)	71
	L&W GRINDER KNIVES	72
	L&W GRINDER PLATES	73
NEW!!	REMOVABLE HUB GRINDER PLATES	74
	RESHARPENABLE GRINDER KNIVES	74
	VALUE GRINDER KNIVES	74
	GRINDER RING TIGHTENING TOOLS	74
	SIZE CHART FOR PLATES & KNIVES	75
	GRINDER ACCESSORIES & COMPONENTS	76
	STUFFING TUBES	76
	STOMPERS	76
NEW!!	GRINDER PARTS (FOR HOBART, HOLLYMATIC AND OTHER GRINDERS)	77-83
	S/S HAND FOOD GRINDERS	84
	MEAT GRINDER POWER ATTACHMENTS	5
	SAUSAGE STUFFERS	108
	HAMBURG PATTY MAKERS	114-115

Visit us online at www.alfaco.com

ALFA
NEW FOR
2017



COMMERCIAL MEAT GRINDER

AMERICAN EAGLE

Excellent quality at an affordable price, this electric meat grinder food will satisfy service professionals, hunters and home enthusiasts alike. With a transmission permanently lubricated and sealed the air-cooled motor ensures years of trouble-free service. The patented grinder head has rifled chamber walls specially designed to make sausage production a breeze.

- Heavy duty 1HP motor grinds 250 lbs/hour
- Patented grinder head design with rifled chamber
- Quick pass auger reduces food waste
- Metal gear-driven transmission
- All stainless steel grinder head components
- Standard #12 Hobart-style hub



ALFA #	DESCRIPTION	SHIP WEIGHT	DIMENSIONS
AEMG-12	1 HP Grinder	62 lbs.	18"L x 13"W x 16"H

Electrical Specs: 115V-60HZ / 1 Phase

Unit includes stainless steel feeder pan, meat pusher, sausage stuffing tube (3/4" output), 1/4" grinder plate (6mm), 5/16" grinder plate (8mm), and one stainless steel knife.

WARRANTY: 1 Year Limited Warranty
(Registration Required)

ALFA
EXCLUSIVE

HOUSEHOLD MEAT GRINDER

MC5

Electric Meat Grinder



The MC5's compact design and small footprint make it perfect for home or for light commercial use. Don't be fooled by its small size – the MC5 is powered by a 350-Watt, .5 HorsePower motor. This space-saving grinder can process 2-3 pounds of meat per minute and is designed with both forward and reverse switches. For safety, the MC5 is manufactured with a built-in "Overload Protection" Switch. Easy to clean, maintain and store (simple hand washing is recommended).

- Rugged die-cast aluminum grinding head
- Pan, stomper, #12 S/S chopping knife
- Includes 3 chopper plates (1/8", 3/16" & 5/16")
- 3 stuffing tubes and Kubbe attachment included
- Steel gears – not plastic
- Reverse switch to clear grinder jams

ALFA #	DESCRIPTION	SHIP WEIGHT	DIMENSIONS
MC5	.5 HP Grinder	16.5 lbs.	16" x 7" x 17"

Electrical Specs: 115V-60HZ / 350W

WARRANTY: 6 Months

COMMERCIAL MEAT GRINDER

MC-22 and MC-32
Also Available –
Call for Pricing



MC-12 Electric Meat Grinder

Engineered for use in commercial food service establishments, the ALFA MC-12 is also great for high-end home use.

This grinder's 1HP motor grinds 8-12 pounds of product per minute and comes with a standard Hobart-style hub. The #12 hub pairs perfectly with power attachments such as ALFA'S GS-12 Grater-Shredder, our VS-12 Vegetable Slicer, the

60 Cycle / 1 Phase A.C. / 9 amps

TN-12 Meat Tenderizer and the FC-12 Fajita Cutter. Comes with a stainless steel #12 meat grinder head, worm, (2) #12 plates (1/8" & 3/16"), (2) #12 knives, pan, sausage stuffing tube & stomper. No oil change is required as the motor comes grease-packed.

Warranty:
One Year Parts,
6 Months Labor.

ALFA #	DESCRIPTION	MOTOR/ ELEC.	CAPACITY	ELECTRICAL SPECS	NET WEIGHT	SHIP WEIGHT	DIMENSIONS
MC-12	Standard #12 Head Meat Grinder	1 HP / 115V	8-12 lbs./min.	115V-60Hz 9A-750W	60 lbs.	66 lbs.	14" x 12" x 24"
PB-12	Power Base	1 HP / 115V	N/A	115V-60Hz 9A-750W	48 lbs.	51 lbs.	15-3/4" x 9" x 13"

MC-12 STOMPER – Hollow Stomper for MC-12 - see page 76 for specs.



PB-12 Power Base with GS-12 / VS-12 Power Attachment (See pp. 2-3)



PB-12 with TN-12 Tenderizer Attachment (See p. 7)

MEAT GRINDERS

ALFA #	HOBART #	DESCRIPTION	WEIGHT
GS-12	VS9	#12 Grater/Shredder Attachment with 3/16" Disk	21 lbs.
VS-12DHES	ML-16225-Z	Disk Holder with Extended Shaft (for use with PB-12)	5 lbs.
VS-12	VS9	#12 Complete Vegetable Slicer Attachment (9/16 Square Hub)	23 lbs.
VS-12KDSSES	ML-16223-Z	S-Knife Assembly with Extended Shaft (for use with PB-12)	5 lbs.
TN-12	N/A	#12 Hub Meat-Tenderizing Attachment	14 lbs.

Note: This grinder should only be plugged into outlets rated at 20 Amps or higher.

Note: These grinders should NOT be used to process poultry, seafood, cheese or vegetables – beef, pork, and venison only.

GRINDER KNIVES

MADE IN GERMANY BY

L & W

SINCE 1920



032 KN, TOP
AND REVERSE

ALFA's Chopper Knives are made of the world's most durable carbon steel and are manufactured in German by L&W, the premier supplier of grinder accessories in the market today. These knives are the accessories of choice for the meat and butcher departments of the country's leading supermarkets.

Made from the finest drop-forged steel and hardened for added durability. Each knife is made of one-piece construction for ease in cleaning.

ALFA
EXCLUSIVE

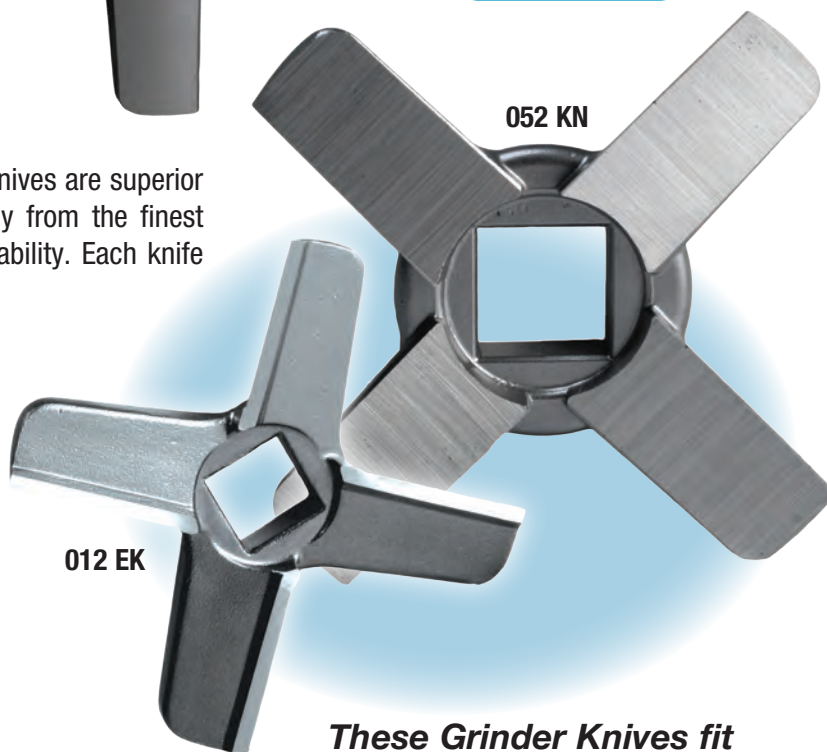
TOP-QUALITY, STATE OF THE ART CARBON STEEL-EDGE KNIVES

Though extremely competitive in price, these knives are superior performers. L&W knives are Made in Germany from the finest drop-forged steel and hardened for added durability. Each knife features one-piece construction for durability.

ALFA #	REPLACES HOBART #	HUB SIZE	TIP-TO-TIP MEASUREMENT
005 KN	N/A	5	1.80"
008 KN	N/A	8	2.20"
012 KN	290339	12	2.40"
022 KN	121144	22	2.90"
032 KN	15796	32	3.60"
052 KN	N/A	52	4.60"



012 EK



052 KN

HIGH-QUALITY, MORE AFFORDABLE L&W CARBON STEEL-EDGE KNIVES

ALFA #	HOBART #	HUB SIZE	TIP-TO-TIP MEASUREMENT
012 EK	E 290339	12	2.40"
022 EK	C 121144	22	2.90"
032 EK	P 15796	32	3.60"
052 EK	N/A	52	4.60"

**These Grinder Knives fit
Thunderbird, Hobart, Globe,
Univex, Berkel and other
Meat Grinders!**

See Guide on page 75 to find the
right knife for your Grinder

ALFA
EXCLUSIVE

GRINDER PLATES

MADE IN GERMANY BY



OEM QUALITY

Alfa chopper plates mean greater production and cooler, more efficient cutting. These plates are made in Germany from a special chrome-vanadium steel alloy.

L&W uses state-of-the-art computerized manufacturing process to achieve maximum plate-to-plate conformity.



PLATES WITH HUB

Alfa HUBBED plates are a popular choice with many meat processors because the hub provides a greater degree of stability for grinding.

HUBLESS PLATES

Our most-popular plates, Alfa HUBLESS plates are a high-quality, economical choice. They give great service and can be used on both sides – once one side becomes dull, flip it over and use the other.

- Made of tool steel for long life
- More holes mean faster grinding
- Precision-sharpened holes for a uniform grind
- OEM Quality

ALFA #	HUB SIZE	HOLE SIZE		REPLACES HOBART#
		INCHES	MM	
5 1/8 HBLS	5	1/8"	3.0	N/A
5 3/16 HBLS	5	3/16"	4.5	N/A
8 1/8 HBLS	8	1/8"	3.0	N/A
8 3/8 HBLS	8	3/8"	10.0	N/A
8 3/16 HBLS	8	3/16"	4.5	N/A
12 3/32 HBLS	12	3/32"	2.5	N/A
12 1/8 HBLS	12	1/8"	3.0	16423-1
12 5/32 HBLS	12	5/32"	4.0	N/A
12 3/16 HBLS	12	3/16"	4.5	16424-1
12 1/4 HBLS	12	1/4"	6.0	16425-1
12 5/16 HBLS	12	5/16"	7.8	N/A
12 3/8 HBLS	12	3/8"	10.0	16426-1
12 1/2 HBLS	12	1/2"	13.0	16427-1
12 5/8 HBLS	12	5/8"	16.0	103970
12 3/4 HBLS	12	3/4"	20.0	N/A
22 3/32 HBLS	22	3/32"	2.5	N/A
22 1/8 HBLS	22	1/8"	3.0	16430-1
22 5/32 HBLS	22	5/32"	4.0	N/A
22 3/16 HBLS	22	3/16"	4.5	16431-1
22 1/4 HBLS	22	1/4"	6.0	16432-1
22 5/16 HBLS	22	5/16"	7.8	N/A
22 3/8 HBLS	22	3/8"	10.0	16433-1
22 1/2 HBLS	22	1/2"	13.0	16434-1
22 3/4 HBLS	22	3/4"	20.0	N/A
32 3/32 HBLS	32	3/32"	2.5	N/A
32 1/8 HBLS	32	1/8"	3.0	108580
32 5/32 HBLS	32	5/32"	4.0	N/A
32 3/16 HBLS	32	3/16"	4.5	108581
32 1/4 HBLS	32	1/4"	6.0	108582
32 3/8 HBLS	32	3/8"	10.0	108583
32 1/2 HBLS	32	1/2"	13.0	108584
32 3/4 HBLS	32	3/4"	20.0	N/A

(Size 52 plates available in 1/8", 1/4" and 3/16" sizes)

ALFA #	HUB SIZE	HOLE SIZE	
		INCHES	MM
12 332 HUB	12	3/32"	2.5
12 532 HUB	12	5/32"	4.0
22 332 HUB	22	3/32"	2.5
22 532 HUB	22	5/32"	4.0
32 964 HUB	32	9/64"	3.5
32 018 HUB	32	1/8"	3.0
32 332 HUB	32	3/32"	2.5
32 532 HUB	32	5/32"	4.0
32 316 HUB	32	3/16"	4.5
32 014 HUB	32	1/4"	6.0
32 038 HUB	32	3/8"	10.0
32 012 HUB	32	1/2"	13.0

Note: Other sizes available, call for details & prices.

KIDNEY PLATES

These specialized plates are used for reprocessing ground meat into stuffing tubes for sausage.



ALFA #	HUB SIZE	# HOLES	HOLE SIZE
12 KIDNEY	12	3	1-3/8"
22 KIDNEY	22	3	1-3/4"
32 KIDNEY	32	3	2"

The above parts are sold by Alfa International as replacement parts for Hobart and others. Alfa is not affiliated with Hobart.

MEAT GRINDERS

ALFA
EXCLUSIVE

NEW FOR
2017

PLATES WITH REMOVEABLE HUB

If You've Ever Wished for a Hubbed Plate That Had the Versatility of a Hubless Plate ALFA is Here to Grant Your Wish



These new Rust Resistant steel plates provide the greater stability you expect from a hubbed plate - but with these you can flip them over and use both sides of the plate. Each kit listed includes plate, removeable hub and two hardened chopper knives.

ALFA #	HUB SIZE	HOLE SIZE	
		INCHES	MM
RHUB18	32	1/8"	3
RHUB964	32	9/64"	3.5

RE-SHARPENABLE GRINDER KNIVES

HARD EDGE KNH KNIVES, MADE IN MEXICO

These grinder knives are engineered for heavy duty operations and extended life. Made of high strength hardened tool steel, these knives have broached center holes which significantly decrease stud wear. Cutting bars are attached by cadmium free induction brazing. These features provide greater durability and provide for easier cleaning. Ideal for all large volume grinding operations.

ALFA #	HUB SIZE	TIP-TO-TIP MEASUREMENT
012 KNH	12	2.40"
022 KNH	22	2.90"
032 KNH	32	3.60"
052 KNH	52	4.60"

Warranty:
3 Months



012 KNH

Reinforced,
Resharpenable
Bar

S/S GRINDER KNIVES FOR ALFA POWER ATTACHMENTS

Replacement grinder knives for ALFA's 12 H CCA, 12CH and other power attachments. Good low-cost, all-purpose grinder knives. Made in China.



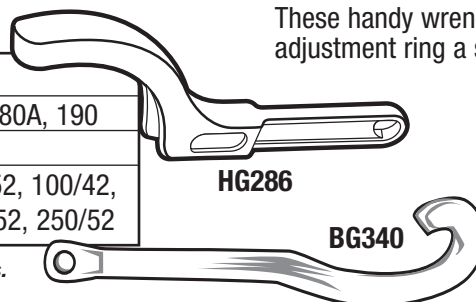
12 KN SS

ALFA #	HUB SIZE	TIP-TO-TIP MEASUREMENT
12 KN SS	12	2.40"
22 KN SS	22	2.90"
32 KN SS	32	3.60"

NOW AVAILABLE: Stainless Steel Grinder Plates for Grinder Sizes 12, 22 and 32. Call for Pricing.



Grinder Ring Tools



These handy wrenches makes adjusting your grinder's adjustment ring a snap, ensuring perfect product every time.

WORKS ON:	MODELS
Hollymatic	100, 150, 175, 180, 180A, 190
Hobart	4056, 4052, 4152
Butcher Boy	A42H, A52H, A56, AF52, 100/42, 100/52, 200/42, 200/52, 250/52

Ship weight for these 3 Wrenches is .5 lbs.

ALFA #	DESCRIPTION
BG340	Biro Ring Wrench (OEM #H340)
HG570	Hobart Ring Wrench (OEM #873570)
HG286	Ring Wrench

The above parts are sold by Alfa International as replacement parts for Hobart and others. Alfa is not affiliated with Hobart.

SIZE CHART for GRINDER PLATES & KNIVES

Get the Right Accessories for Your Meat Grinder

UPDATED FOR
2017

MAKE AND MODEL	KNIFE AND PLATE SIZE
AMERICAN	
6212	12
AMERICAN EAGLE	
AE-G12N	12
AE-G22N	22
AE-G32N	32
AVANTCO	
MG12	12
MG22	22
BERKEL	
E-012	12
E-122, E-222	22
E-2732	32
BIRO	
812	12
22, 722, 822, 922, MINI-22	22
342, 346, 548, 6642, AFMG-24, EMG-32	32
7542, 7548, MINI-32, AFMG-48	32
542, 7500	32
BLAKESLEE	
CC20S	12
BUFFALO	
41B	22
BUTCHER BOY	
TCA12, TM12	12
TCA22, TM22	22
TCA32, TM32 / 232, A42	32
CABELAS	
PRO SERIES DC IK-541411	12
CARNIVORE IK-541553	12
CARNIVORE IK-541554	22
CARNIVORE IK-541555	32
CHOP RITE	
210	12
310	22
510	32
ENTERPRISE	
5	5
10, 2112, 2512, 2612, 2712	12
422, 2522, 2622, 2722	22
30, 041, 341, 432, 1041, 1541, 2532	32
2632, 2732, 2742, 2746, 2842	32
GENERAL SLICING	
LP25-C	5
D, H, P	12
E	22
GLOBE - STIMPSON	
5412, 5511	12
CM12	12
2522, 422D, 5522, 5622, 5822, 6722	22
5932, 6142, 6832	32
6942, 8142, 842D	32
CM22	22
HOBART	
56, 200, 212, F230, 612, 725, 4212	12
4312, 4412, 4612, 4812, 5113	12
622, 4322, 4722, 4822	22
4145, 4146, 4245, 4246, 4332	32
4342, 4346, 4531, 4532, 4542, 4632	32
4732, 5425, MC-46	32
HOLLYMATIC	
1000	12
22S, 1200	22
32S, 2-32S, 542, 1332	32
150, Gemini, 175	32

MAKE AND MODEL	KNIFE AND PLATE SIZE
INTEDGE	
C3H, C2HA, CSH, C2HDS	12
C1H, C1HDS	22
KREFFT	
R-70	12
LEM	
BIG BITE 12	12
BIG BITE 22	12
BIG BITE 32	12
OMCAN	
MG-CN-0010	12
MG-CN-0012-S	12
MG-CN-0012-C	12
MG-CN-0012-E	12
MG-IT-0012-C	12
MG-CN-0022-S	22
MG-CN-0022-E	22
MG-IT-0022-C	22
MG-BR-0022	22
MG-IT-0022	22
MG-IT-0032	32
MG-CN-0032-H	32
MG-IT-0032-C	32
SANITARY	
100, 101, 600, S612, 900	12
200, 201, 1250, 1275	22
2800, 3800, 4000	32
SKYFOOD EQUIPMENT	
SMG12	12
SMG22	22
PSE-11	12
PSE-12	12
PCI-21G	22
PCI-22G	22
PCI-32HD	32
THUNDERBIRD	
300E, TX600	12
400E	22
TORREY	
M-12, M-12-FS	12
M-22, M-22-R	22
M-32	32
UNIVEX	
MG8912	12
MG22	22
WESTON	
BUTCHER 12	12
BUTCHER 22	22
BUTCHER 32	32

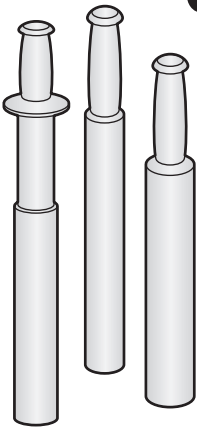
PLATE SPECIFICATIONS

PLATE SIZE	# OF NOTCHES	PLATE DIAMETER	PLATE THICKNESS
5	1	2.10"	.26"
8	1	2.40"	.26"
12	1	2.75"	.32"
22	1	3.25"	.36"
32	3	3.90"	.43"
52	3	5.06"	.56"

MEAT GRINDERS

GRINDER ACCESSORIES & COMPONENTS

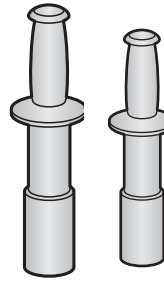
PLASTIC STOMPERS



SOLID STOMPERS

Our Solid Plastic Stompers are manufactured from high impact polyethelene and are available in 3 different sizes. Made in the USA.

ALFA #	DIAMETER	OVERALL LENGTH	LENGTH UNDER COLLAR
P1222	2-1/4"	10-3/8"	N/A
P12/22 SAFETY	1-1/2"	12-1/4"	N/A
P32S-14	2"	19"	14"



HOLLOW STOMPERS

Our Hollow Stompers are injection molded from high impact polyethylene and fit many grinders.

ALFA #	DIAMETER	LENGTH UNDER COLLAR	OVERALL LENGTH
MC-12 STOMPER	1-1/2"	4"	8"
HST-6	1-1/2"	6"	12"

WORM THRUST FIBER WASHERS

Washers Come in Packages of 12.

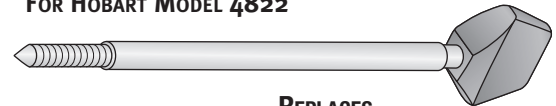


ALFA PART #	DIMENSION	HOLE SIZE
12	1-5/16"	3/4"
22-1 1/2 x 7/8	1-1/2"	7/8"
22-1 5/8 x 1	1-5/8"	1"
22-1 5/8 x 7/8	1-5/8"	7/8"
32	2"	1"



THUMB SCREW ASSEMBLY

FOR HOBART MODEL 4822



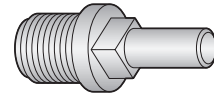
ALFA #	REPLACES HOBART #
HG2-704	108197-4

GRINDER PINS



ALFA #	SIZE
12 PIN	12
22 PIN	22
32 PIN	32

GRINDER FEEDSCREW STUDS

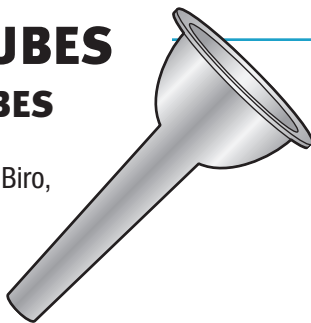


ALFA #	REPLACES HOBART #	HUB SIZE	LENGTH
12 STD	M-15877	12	2"
22 STD	M-15880	22	2.5"
32 STD	C-110576	32	3.25"

STUFFING TUBES

"BELL SHAPED" TUBES

Made of polished aluminum or Stainless Steel. For Hobart, Biro, Butcher Boy, Etc. Recommended for Optimal Performance



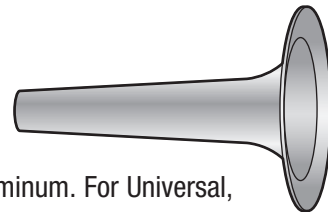
ALFA #	HUB SIZE	HOLE SIZE	OA LENGTH
012BT 1/2	12	1/2"	6.4"
012BT 3/4	12	3/4"	6"
022BT 1/2	22	1/2"	6"
022BT 3/4	22	3/4"	6"
032BT 1/2	32	1/2"	6"
032BT 3/4	32	3/4"	6"
12BT 3/4 SS*	12	3/4"	8.6"
22BT 3/4 SS*	22	3/4"	8.6"
32BT 3/8 SS*	32	3/8"	9"
32BT 3/4 SS*	32	3/4"	8.6"

* Stainless Steel

The above parts are offered as replacement parts for Hobart, Biro, Butcher Boy, Enterprise, Universal and Choprite. Alfa is not affiliated with any of these firms.

"REGULAR SHAPED" TUBES

Made of polished aluminum. For Universal, Enterprise, Etc.



ALFA #	HUB SIZE	HOLE SIZE	OA LENGTH
012RT 1/2	12	1/2"	6.5"
012RT 3/4	12	3/4"	6.0"
022RT 1/2	22	1/2"	5.5"
022RT 3/4	22	3/4"	5.5"
032RT 1/2	32	1/2"	6.2"
032RT 3/4	32	3/4"	5.6"
22PT (plastic)	22	3/4"	6.2"

LARD PRESS AND STUFFER SPOUTS Made of polished aluminum. 4-3/4" length. For 4, 6 and 8 quart Choprite, Enterprise and Universal Stuffers.



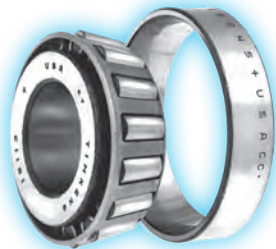
ALFA #	HOLE SIZE	OA LENGTH
411 3/8	3/8"	4.5"
411 1/2	1/2"	4.6"
411 3/4	3/4"	5.5"

Note: Sheep casings require 1/2" size tubes & hog casings require 3/4" size tubes.

NEW FOR 2017 PARTS



FOR HOBART Mixer-Grinders TRANSMISSION PARTS



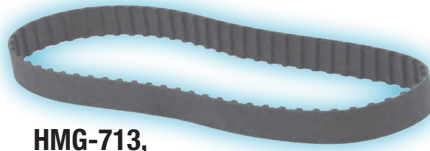
HMG-228



HMG-220



HMG-5196,
HMG-591



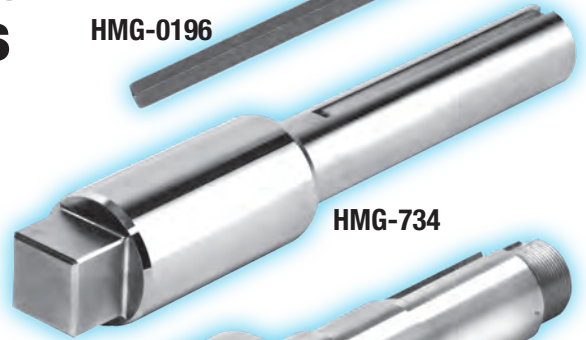
HMG-713,
HMG-714



HMG-177

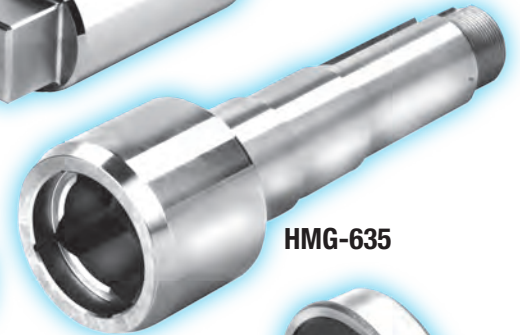


HMG-407



HMG-734

HMG-0196



HMG-734

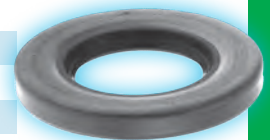
HMG-635



HMG-721,
HMG-183



HMG-070



HMG-657

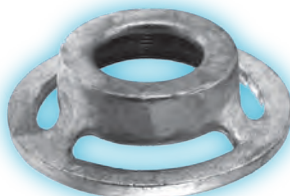
ALFA PART #	OEM #	DESCRIPTION	Fits Models			
			4246	4346	MG1532	MG2032
HMG-070	479070	Seal, Mixer Arm			X	X
HMG-177	WL-17-7	Lockwasher	X		X	X
HMG-183	BB-18-33	Bearing, Small, Pinion Shaft	X		X	X
HMG-220	BR-002-20	Bearing, Small, Worm Shaft	X		X	X
HMG-228	BR-002-28	Bearing, Large, Worm Shaft	X		X	X
HMG-407	NS-034-07	Locknut	X		X	X
HMG-430	12430-210	Key, Grind Shaft	X			
HMG-591	108591	Seal, Square Drive Shaft	X	X	X	X
HMG-635	186635	Shaft, Worm Drive	X			
HMG-657	186657	Seal, Pinion Shaft	X		X	X
HMG-713	186713	Belt, Flexa Gear, Drive	X		X	X
HMG-714	186714	Belt, Flexa Gear, Vent	X			
HMG-721	BB-007-21	Bearing, Large, Pinion Shaft	X		X	X
HMG-743	439743	Shaft, Mixer Arm			X	X
HMG-0196	12430-196	Key, Mixer Arm			X	X
HMG-5196	105196	Seal, Outer Conveyor	X	X	X	X



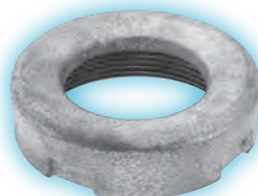
HRNG-12



HRNG-12



HRNG-32A



HRNG-32B

RINGS For Hobart Grinders

ALFA PART #	OEM #	DESCRIPTION
HRNG-12	077667-002	#12, Fits 4612 & 4812
HRNG-22	077643-002	#22, Fits 4822
HRNG-32A	77680	#32, Fits 4046 & 4146
HRNG-32B	86050	#32, Fits 4246, 4346, 4632 & 4732

The above parts are sold by Alfa International as replacement parts for Hobart grinders. Alfa is not affiliated with Hobart.

MEAT GRINDERS

**NEW FOR
2017**

**PARTS
FOR HOBART
Mixer-Grinders**



HC-924



HC-725



HC-787



HC-724

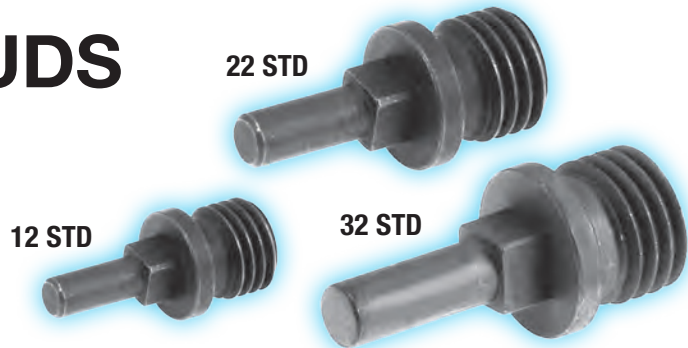
CASTERS

ALFA PART #	OEM #	DESCRIPTION
HC-724	186724	Rigid, Fits 4646
HC-725	186725	Swivels & Locks, Fits 4246
HC-924	477924	Swivels, 4", Fits MG1532 & MG2032
HC-787	439787	Fixed, Fits MG1532 & MG2032



FEEDSCREW STUDS

ALFA #	REPLACES HOBART #	HUB SIZE	LENGTH
12 STD	15877	12	2"
22 STD	15880	22	2.5"
32 STD	110576	32	3.25"



VARIOUS PARTS



HMG-681



HMG-681



HMG-857



HMG-864



HMG-953



HM2-971
(1")



HG2-704

Fits Models

ALFA PART #	OEM #	DESCRIPTION	4246	4346	4612	4632A	4812	4822
HMG-681	83681	Support Foot			X	X	X	X
HG2-704	108197-04	Thumbscrew			X		X	X
HM2-971	108197-02	Thumbscrew			X		X	X
HMG-953	592953	Deflector - Meat	X	X				
HMG-864	873864	Nut, Cylinder - Fits Models 4146, 4152, 4246, 4346, 4356, 4632						
HMG-857	NS-048-57	Nut, Cylinder Head Hex - Fits Models 4046, 4056, 4146, 4152, 4156, 4246, 4346, 4356, 4612, 4632, 4732, 4732, 4812, 4822						
HMG-FTT	N/A	6" Glass Test Tube / Vial, for use in Hobart Fat Analysis Model #F101						

The above parts are sold by Alfa International as replacement parts for Hobart grinders. Alfa is not affiliated with Hobart.

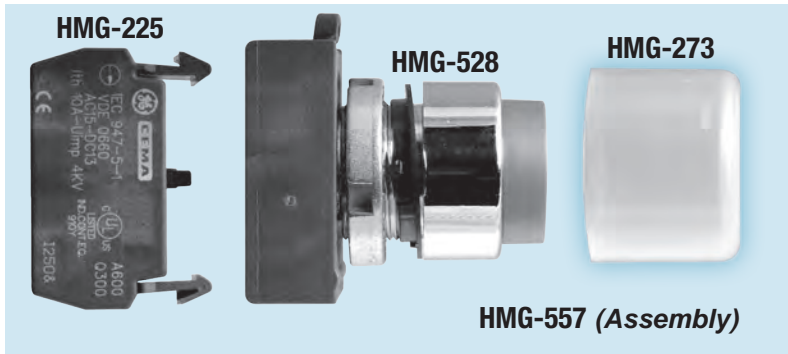
PARTS FOR HOBART Mixer-Grinders

ELECTRICAL PARTS

NEW FOR 2017



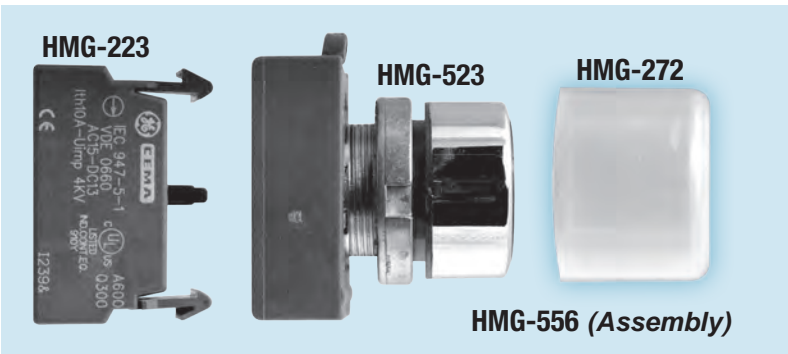
HMG-629



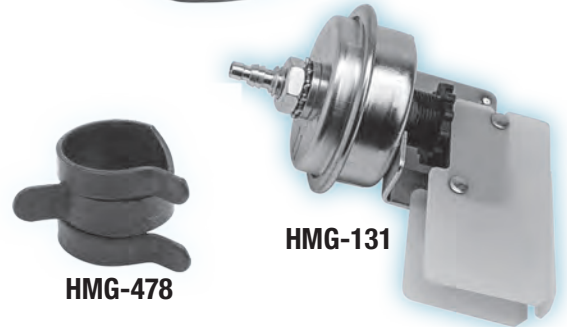
HMG-557 (Assembly)



HMG-141



HMG-556 (Assembly)

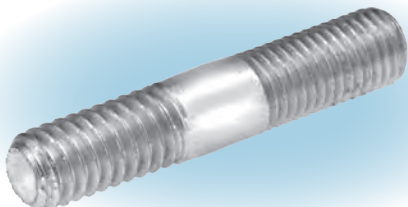


HMG-131

HMG-478

ALFA PART #	OEM #	DESCRIPTION	Fits Models			
			4346	4352	MG1532	MG2032
HMG-131	87711-213-1	Switch Actuator	X	X	X	X
HMG-141	87711-214-1	Actuator, Air Bulb	X	X	X	X
HMG-223	87711-322-3	Block, Normally OPEN	X	X	X	X
HMG-225	87711-322-5	Block, Normally CLOSED			X	X
HMG-272	873427-2	Cap	X	X	X	X
HMG-273	873427-3	Cap			X	X
HMG-478	115747-8	Hose Clamp	X	X	X	X
HMG-523	478752-3	Switch, Black	X	X	X	X
HMG-528	478752-8	Switch, Reed			X	X
HMG-556	87711-255-6	Switch Assembly (Black)	X	X	X	X
HMG-557	87711-255-7	Switch Assembly (Reed)			X	X
HMG-629	292629	Air Hose	X	X	X	X

CYLINDER STUDS



ALFA PART #	OEM #	DESCRIPTION	FITS MODELS
HMG-266	118266	Stud Cylinder, 3"	4246, 4346
HMG-811	72981-1	Stud Cylinder, 4.5"	4056, 4156, 4356
HMG-812	72981-2	Stud Cylinder, 4"	4056, 4146, 4152, 4156, 4356
HMG-813	72981-3	Stud Cylinder, 3.625"	4356, 4632, 4732

GRINDER PINS

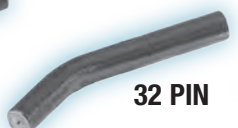
ALFA PART #	OEM #	DESCRIPTION
12 PIN	12299	Bent Pin, fits #12 Grinders
22 PIN	122983	Bent Pin, fits #22 Grinders
32 PIN	105806	Bent Pin, fits #32 Grinders



12 PIN



22 PIN



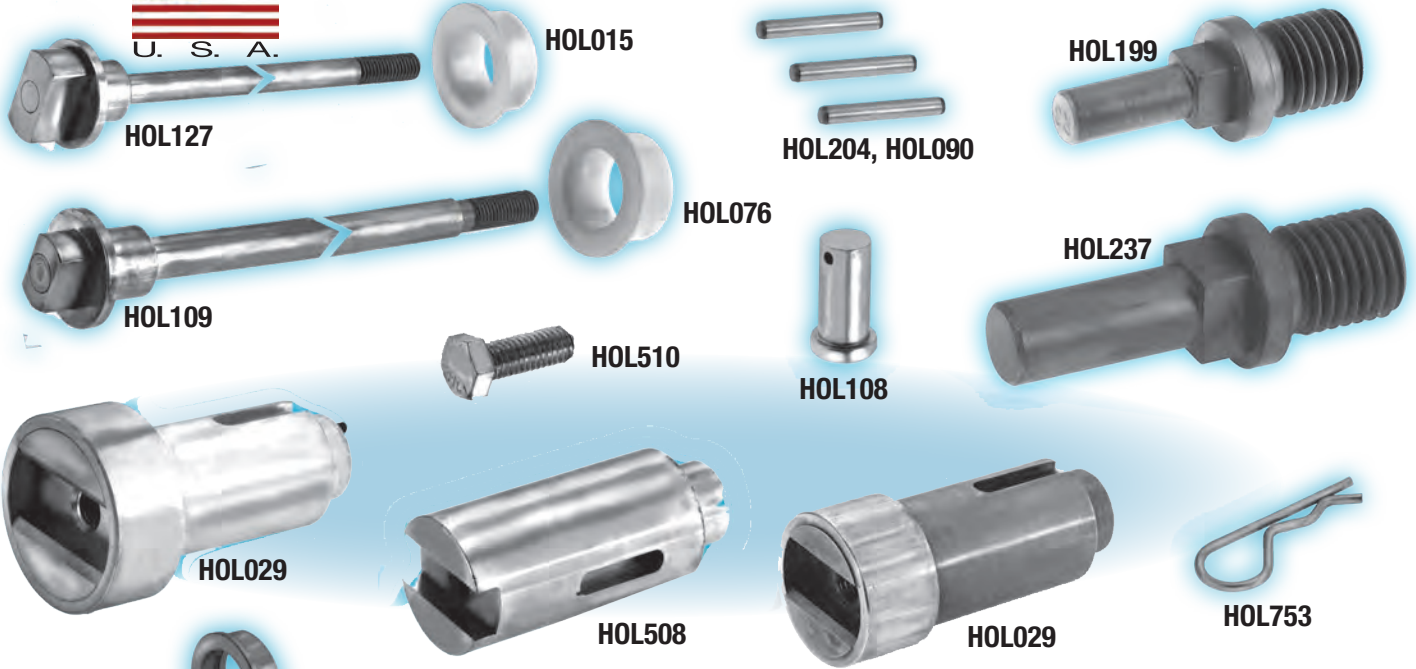
32 PIN

The above parts are sold by Alfa International as replacement parts for Hobart grinders. Alfa is not affiliated with Hobart.

MEAT GRINDERS



PARTS FOR HOLLYMATIC GRINDERS

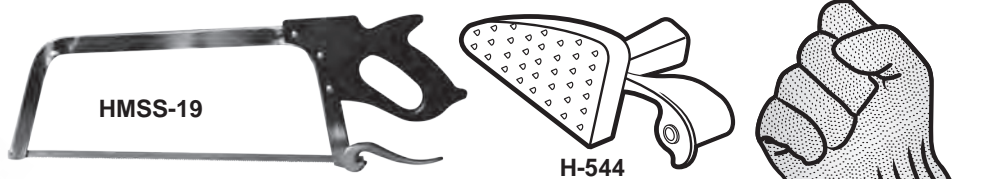


NEW FOR 2017

ALFA PART #	OEM #	DESCRIPTION	Fits Models			
			150	175	180	180A
HOL006	180-8006	Ring #52			X	X
HOL012	180-8012	Ring #32/40			X	X
HOL015	150-1015	Bushing, Draw Bar	X	X		
HOL025	180-8025	Bushing, Shoulder, Drive Shaft			X	X
HOL029	180-8029	Drive Shaft, Tumbler			X	
HOL090	765-1420-90	Grinder Plate Pin #52 (3 Required)				X
HOL108	180-8108	Shaft, Pivot			X	X
HOL109	180-8109	Draw Bar, Tumbler			X	X
HOL112	181-0112	Bushing, Drive Shaft				X
HOL127	150-1127	Draw Bar, Tumbler	X	X		
HOL134	150-0134	Front Bearing, Tumbler Shaft	X	X		
HOL135	150-0135	Rear Bearing, Tumbler Shaft	X	X		
HOL181	181-0181	Drive Shaft, Tumbler				X
HOL199	100-0199	Stud Feedscrew, #32 (Code R3)			X	X
HOL204	100-0204	Grinder Plate Pin #32/42 (3 Required)				X
HOL237	100-0237	Stud Feedscrew, #52 (Code US)			X	X
HOL363	150-3363	Drive Shaft N/S		X		
HOL508	150-2508	Drive Shaft, Tumbler	X	X		
HOL510	150-2510	Bolt, L.H., Tumbler Drive Shaft	X	X		
HOL753	181-0753	Hairpin Cotter				X
HOL807	180-8076	Bushing, Draw Bar			X	X



FOR ALL OF YOUR MEAT-PROCESSING NEEDS



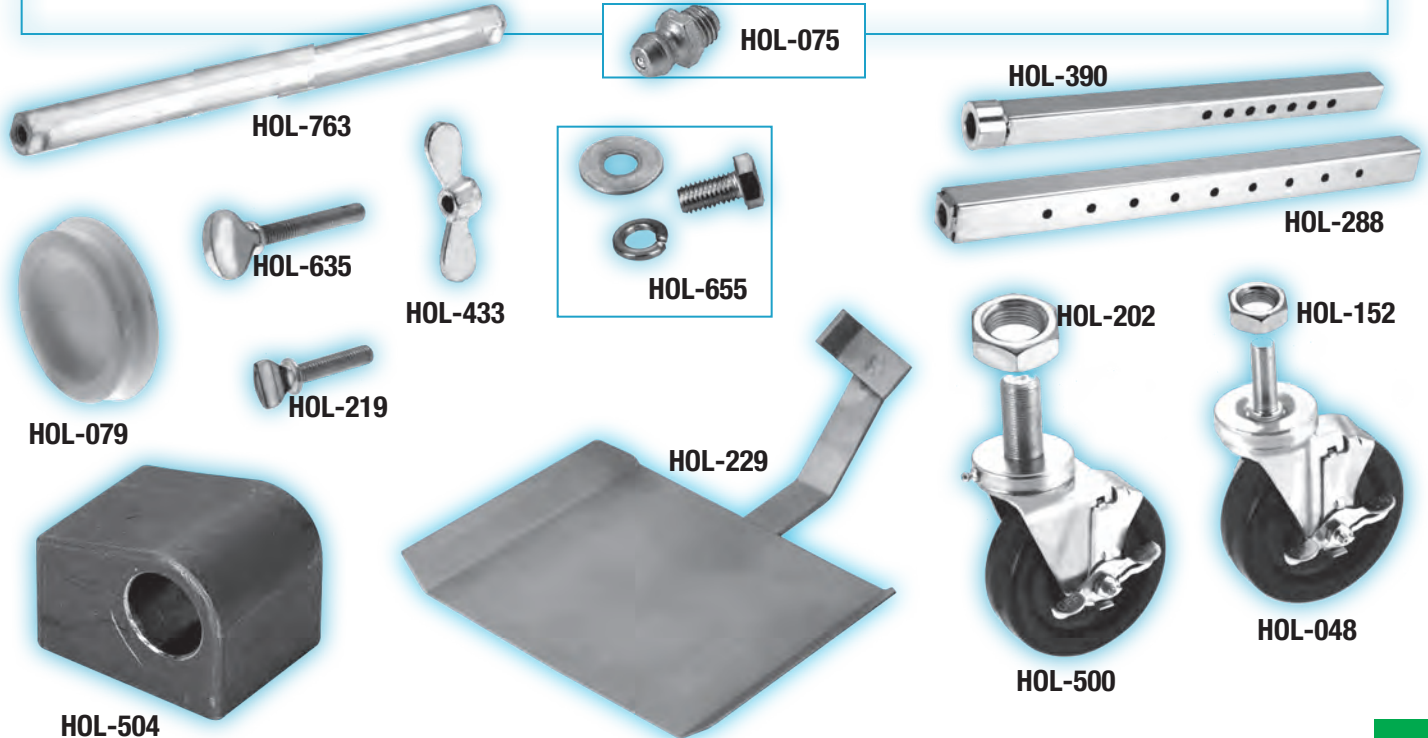
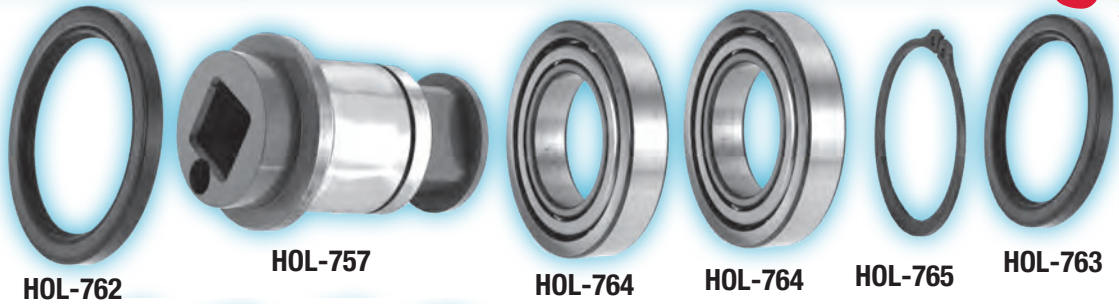
See our **MANUAL TOOLS** Tab for Safety Gloves, Meat Hand-Saws & Other Tools. See our **SLICER** Tab for Parts and Blades for Electric Meat Slicers.

G&B GERMAN MEATSLICING BLADES

PARTS FOR HOLLYMATIC GRINDERS

NEW FOR 2017

CLUTCH ASSEMBLY FOR HOLLYMATIC 180A



ALFA PART #	OEM #	DESCRIPTION	Fits Models				
			150	175	180	180A	190
HOL048	100-0048	Caster (Swivel)	x	x O/S	x		
HOL202	580-2022	Jam Nut		x N/S		x	x
HOL075	800-1075	Grease Fitting				x	
HOL079	180-8079	Gemini Cap			x	x	
HOL152	150-0152	Jam Nut	x	x O/S	x		
HOL219	150-1219	Thumb Screw, 175		x			
HOL229	100-0229	Deflector	x	x	x	x	
HOL287	180-8287	Shaft, Lid Pivot			x	x	
HOL288	181-0288	Leg			x	x	
HOL390	150-9390	Leg		x N/S			
HOL433	100-1433	Nut, Wing		x	x	x	
HOL500	181-0500	Caster (Swivel)		x N/S		x	x
HOL504	180-8504	Hinge Block			x	x	
HOL635	181-0635	Thumb Screw, 180A				x	
HOL655	21-8655	Bolt Assortment, S/S				x	
HOL757	181-0757	Shaft, Clutch				x	
HOL762	181-0762	Seal (Large), Clutch				x	
HOL763	181-0763	Seal (Small), Clutch				x	
HOL764	181-0764	Bearing, Angular Contact				x	
HOL765	181-0765	Ring Retaining				x	

MEAT GRINDERS



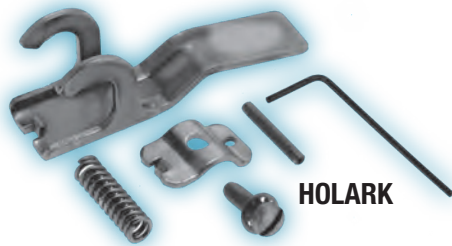
The above parts are sold by Alfa International as replacement parts for Hollymatic grinders. Alfa is not affiliated with Hollymatic.

PARTS FOR HOLLYMATIC GRINDERS **NEW FOR 2017**

ELECTRICAL PARTS And Associated Hardware

The Following Items Are For Hollymatic Electric Foot Switch (OEM # 1000974) and for the Pnuematic Food Switch (OEM #1810828). These items are for Hollymatic Models 175 and 180A.

ALFA PART #	OEM #	DESCRIPTION
HOLABA	N/A	Air Bulb Assembly
HOLARK	N/A	Actuator Repair Kit
HOLCSR	N/A	Strain Relief, Power Cord
HOLFPKIT	N/A	Hardware Kit, Foot Pedal
HOLSIA	N/A	Switch Internal Assembly
HOLSPD	N/A	Spring, Pedal



ALFA PART #	OEM #	DESCRIPTION	Fits Models			
			150	175	180	180A
HOL027	100-1027	Start Button		X	X	X
HOL028	100-1028	Stop Button		X	X	X
HOL029	100-1029	Push Button Lock		X	X	X
HOL175	190-0175	Fuseholder, Large		X	X	X
HOL671	32-6671	Switch, Safety w/ Housing			X	X
HOLCK1	N/A	Contact Kit #1 Starter (5HP)	X			
HOLCK2	N/A	Contact Kit #2 Starter (10HP)		Various Models / Call		
HOLFUSE	190-0176	1 Amp. Slo-Blo Fuse		X	X	X
HOLSIA	N/A	Switch, Internal Sub Assy		X		X

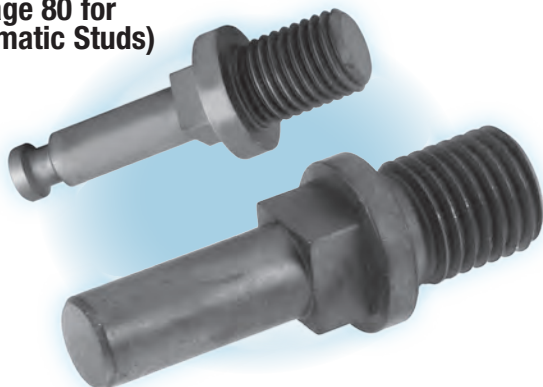
The above parts are sold by Alfa International as replacement parts for Hollymatic grinders. Alfa is not affiliated with Hollymatic.

FEEDSCREW STUDS



(See Page 78 for Hobart Feedscrew Studs; Page 80 for Hollymatic Studs)

FOR BERKEL, BIRO, BUTCHER BOY & TORREY GRINDERS

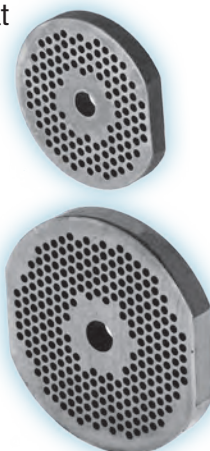


ALFA #	OEM #	FITS:
GSTUD-B32	53483	Biro #32 Grinders
GSTUD-B52	HK 52/56	Biro #52/56 Grinders
GSTUD-B52F	HK 52 Fine	Biro #52 Grinders
GSTUD-BB22	22024	Butcher Boy #22 Grinders
GSTUD-BB32	21038	Butcher Boy #32 Grinders
GSTUD-BB52	52026	Butcher Boy #52 Grinders
GSTUD-BB56	52026	Butcher Boy #56 Grinders
GSTUD-T12	570199	Torrey #12 Grinders
GSTUD-T22	570201	Torrey #22 Grinders
GSTUD-T32	570203	Torrey #32 Grinders

GRINDER PLATES FOR BUTCHER BOY GRINDERS

These distinctive plates have one or more flat edges along the diameter. Reversible.

ALFA #	HUB SIZE	HOLE SIZE INCHES
12 1/8 BB HBLS	12	1/8"
12 3/16 BB HBLS	12	3/16"
12 3/8 BB HBLS	12	3/8"
22 1/8 BB HBLS	22	1/8"
22 3/16 BB HBLS	22	3/16"
22 3/8 BB HBLS	22	3/8"
32 1/8 BB HBLS	32	1/8"
32 3/16 BB HBLS	32	3/16"
32 3/8 BB HBLS	32	3/8"



FEED SCREW STUD SPACERS

These spacers add pressure to the grinder plate.



ALFA #	THICKNESS	FITS:
GSS-B32A	1/8"	Biro #32
GSS-B32B	3/16"	Biro #32
GSS-H32A	1/8"	Hobart #32
GSS-H32B	3/16"	Hobart #32
GSS-HOL32A	1/8"	Hollymatic #32
GSS-HOL32B	3/16"	Hollymatic #32

GRINDER RING WRENCHES

These handy wrenches makes adjusting your grinder's adjustment ring a snap, ensuring perfect product every time.



GRWR - This versatile tool works on ALL Grinder Studs (with the exception of Size #66 Grinders).



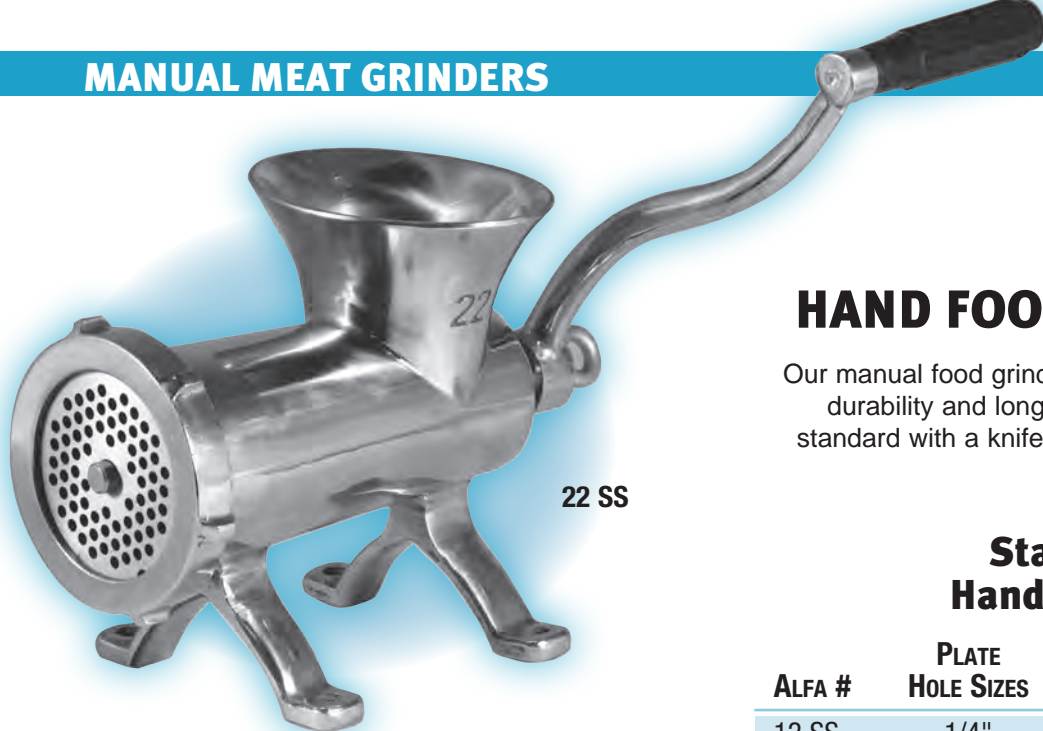
HG286	
WORKS ON:	MODELS
Hollymatic	100, 150, 175, 180, 180A, 190
Hobart	4056, 4052, 4152
Butcher Boy	A42H, A52H, A56, AF52, 100/42, 100/52, 200/42, 200/52, 250/52

ALFA #	DESCRIPTION
BG340	Biro Ring Wrench (OEM #H340)
HG570	Hobart Ring Wrench (OEM #873570)
HG286	Ring Wrench

Ship weight for these 3 Wrenches is .5 lbs.

MEAT GRINDERS

**ALFA
EXCLUSIVE**



22 SS

HAND FOOD GRINDERS

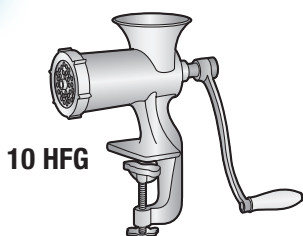
Our manual food grinders are crafted to ensure durability and long life. All models come standard with a knife and 3/16" grinder plate.

**Stainless Steel
Hand Food Grinders**

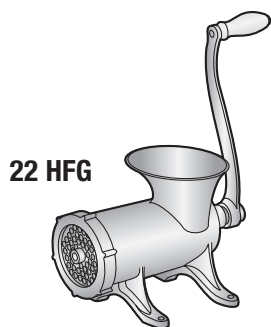
ALFA #	PLATE HOLE SIZES	STYLE	SHIPPING WEIGHT
12 SS	1/4"	Clamp-on	10 lbs.
22 SS	1/4"	Screw-down	17 lbs.
32 SS	1/4"	Screw-down	28 lbs.



12 SS



10 HFG



22 HFG

Cast Iron Hand Food Grinders

ALFA #	PLATE HOLE SIZES	STYLE	SHIPPING WEIGHT
10 HFG	1/4"	Clamp-on	10 lbs.
22 HFG	1/4"	Screw-down	17 lbs.

Warranty: 3 Months

Plastic Stuffing Tube (for Hand Grinders)

ALFA #	DESCRIPTION
22PT	Stuffing Tube with 3/4" opening for #22 Chopper

**ALFA PMA-12 Patty Maker
Power Attachment**



This sturdy patty-maker power attachment is just what the chef's been waiting for – a way to skip a step on the burger assembly line! Simply attach the device to your grinder or stuffer (via one of the included stuffing tubes) and you're on your way. Makes 4" patties, 1/2" thick. To top it all off, it's easy to disassemble and is dishwasher safe!



ALFA #	DESCRIPTION	NET\SHIP WEIGHT
PMA-12	Patty Maker Power Attachment	12/14 lbs.

**Ask Us About
BULK PRICING
& Save BIG
Today!**

Electric Equipment

PASTA MAKING MACHINES 86-87

FAMA HARD CHEESE GRATERS 87

NEW!! COMMERCIAL VACUUM-SEALERS 88-89

VACUUM-SEALER BAGS 90

NEW!! HOUSEHOLD VACUUM SEALERS 91

SOUS VIDE SYSTEM 91

NEW!! VACMASTER PARTS 92-93

HEATSEAL MACHINES 94-95

HEATSEAL PARTS 96

NEW!! ELECTRIC MEAT GRINDERS 97

NEW!! ELMECO SLUSHY/GRANITA MACHINES 98-100

ELMECO ICE CREAM MACHINE 99

ELMECO PARTS / MAINTENANCE KITS 101

ELECTRONIC SCALES 102-103

FOOD WARMERS 104

HEATSEAL HOT PLATES 104

SOUP WARMERS 105

NEW!! NIREY KNIFE SHARPENERS 106

Visit us online at www.alfaco.com



IMP010

IMPERIA MANUAL PASTA MAKER

This model IMP010 is a manual version of the electric IMP024, below. It's a heavy-duty pasta press that will crank out the product. A handsome, environmentally-friendly addition to your kitchen, the Imperia has a chromed steel exterior and rollers. The sturdy construction is a superb example of Italian design.

Manufacturer's Warranty

Cutters sold separately; see bottom of page.

ALFA #	DESCRIPTION	SHIP WEIGHT	SHIPPING DIMENSIONS
IMP010	Manual Pasta Machine	26 lbs.	17" W x 15" D x 15 H

IMPERIA ELECTRIC PASTA MAKER

The Imperia Restaurant Professional Sheeter is great for restaurants, hotels, and home chefs.

- Produces up to 25 pounds of fresh pasta per hour
- Ten adjustable thickness settings
- Made of chromium-plated stainless steel
- Highly efficient; uses very little electricity
- Easy to use and requires minimal upkeep

Manufacturer's Warranty



IMP024

Clean up with a soft cloth before and after use. See Pasta Cutters, below, sold separately.

ALFA #	DESCRIPTION	SHIP WEIGHT	POWER	SHIPPING DIMENSIONS
IMP024	Electric Pasta Machine	38 lbs.	110V/ 60 Cycle/ 3A	17" W x 15" D x 15" H

FLAT PASTA CUTTERS FOR THE IMP010 & IMP024

IMP-T0 IMP-T1 IMP-T2 IMP-T3

IMP-T4 IMP-T5 IMP-T12

These pasta cutters, sold separately, will make your Imperia Pasta Machines even more versatile.

ALFA #	TYPE OF PASTA CUT	PASTA WIDTH
IMP-T0	Round Spaghetti	2 mm.
IMP-T1	Angel Hair	1.5 mm.
IMP-T2	Flat Linguini	2 mm.
IMP-T3	Trenette	4 mm.
IMP-T4	Flat Fettucini	6.5 mm.
IMP-T5	Lasagne / Parppardelle	12 mm.
IMP-T12	Lasagne / Reginette	12 mm.

Shipping Dimensions: 7" x 7" x 12". Weight: 6 lbs.
Other Flat Pasta Cutters are available by special order.
Call or email us for a complete list.



KRMN-A23



KRMN-A13



KRMN-A06



KRM-A10

KRMN-A02SW - On/off switch for IMP024

KRMN-A06 - Thickness adjustment knob for IMP024

KRM-A10 - Transmission drive unit for IMP024

KRMN-A13 - Nylon gear set for 2013 and older IMP024 (2nd generation)

KRMN-A23 - Belt and pulley set for 2014 and newer IMP024 (3rd generation)

Ship weight for KRM-A10 is 2 lbs.; all other parts 1 lb.



KRMN-A02SW



HARD CHEESE GRATERS



FAMA, the manufacturer of Alfa's best-selling line of hard cheese graters, specializes in rugged commercial units designed for large-scale production. Hopper Opening is 3.25" x 5.5."

- **Operation Handle Lock Safety On-Off Release**
- **Direct, Gear-Driven Motor** Lasts longer, more powerful - it's just better than belt-driven motors
- **Stainless Steel Bowl and Grater Drum**
Sanitary operation, easy clean-up
- **Safety Gate on Bottom Opening**
- **Heavy Anodized Aluminum Construction**
- **Chrome Finish**

All FAMA units are ideal for grating hard cheeses such as Romano and Parmesan, and also excel at making bread crumbs.

FAMA-1

Warranty:
6 Months



MADE IN ITALY

ALFA #	DESCRIPTION	WEIGHT	BOX DIMENSIONS	OUTPUT
FAMA-1	1 HP Cheese Grater	40 Lbs.	16" x 12" x 16-1/2"	130 - 150 lbs./hr.
FAMA-1.5	1.5 HP Cheese Grater	50 Lbs.	16" x 12" x 16-1/2"	150 - 170 lbs./hr.
FAMA-1/2	.5 HP Cheese Grater (Household)	16 Lbs.	10.5" x 11.5" x 12"	90 - 100 lbs./hr.

PARTS for FAMA Cheese Grating Machines

See diagram on page 172.

ALFA PART #	DESCRIPTION
FAMA-HANDLE	HANDLE (ALL MODELS)
FAMA-F2031	RUBBER FEET
FAMA-F2138	ON/OFF SWITCH
FAMA-F2152	PLASTIC COVR 4"/100mm FAMA 1.5
FAMA-F2163	MICROSWITCH COVER
FAMA-F2166	INTERLOCK SWITCH
FAMA-F2169	BOWL FOR FAMA 1 HP & 1.5 HP
FAMA-F2176	BASE FOR FAMA 1 HP & 1.5 HP
FAMA-F2177	SET of 4 SCREWS 8 X 25 FOR FAMA 1.5
FAMA-F2373	REPLACEMENT MOTOR - FAMA-1/2 110V/60HZ
FAMA-F2377	REPLACEMENT MOTOR FOR FAMA-1 110V/60HZ
FAMA-F2380	CAPACITOR

ALFA PART #	DESCRIPTION
FAMA-F2381	CIRCUIT BOARD - FAMA-1 & 1.5
FAMA-F2382	REPLACEMENT MOTOR - FAMA-1.5 110V/60HZ
FAMA-F2399	S/S DRUM
SP-F-2002	COVER
FAMA-F2587	CAPACITOR
SP-F-2138	SWITCH
SP-F-2177	SCREW 8 X 25 (FAMA 1.5)
SP-F-2381	FAMA TRANSFORMER
FAMA-CAP	END CAP FOR FAMA-DRUM
FAMA-COVER	COVER FOR MOTOR END OF CHEESE GRATER
FAMA-F2002	END COVER - ROUND PLASTIC

COMMERCIAL VACUUM PACKAGING EQUIPMENT



VP120- Ideal for vacuum packing soups, stews and sauces. Will also help keep your game and meat fresh longer. Small businesses and home kitchens will benefit from eliminating food waste.



VP210 - Ideal for commercial small restaurants and cooking sous vide, the VP210 is also an excellent choice for recreational hunters and fishermen. Keeps food fresh longer and stores it scent-free.



VP215 - Ideal for small businesses or small restaurants, hunters and fishermen processing game at home, and sous vide applications.

**Warranty: 1 Year
Limited Liability**



VP320 - Table top chamber sealer will stand up to prolonged use delivering a strong and consistent vacuum and seal every time.

ALFA #	CHAMBER SIZE	# SEAL BARS & LENGTH	VACUUM PUMP	ELECTRIC SPECS	SHIP WEIGHT	DIMENSIONS BOXED
VP120	11.75"x11.5"x 4"	(1) 11.5"	1/4 HP	110V - 60Hz/6A -630W	58lbs	19.25"x16.75"x9.5"
VP210	11.25"x15.25"x5"	(1) 10.25"	Dry Rocker Piston	110V-60Hz/4.2A-462W	83lbs	24.5"x19"x19"
VP215	11.25"x15.25"x5"	(1) 10.25"	1/4 HP (Rotary Oil)	110V-60Hz/4.2A-464W	95lbs	24.5"x19"x19"
VP320	16.75"x18"x7"	(1) 16"	1.5 HP	110V-60Hz/13A-1300W	248lbs	24.5"x26.5"x26"
VP321	16.75"x18"x7"	(1) 16"	1.5 HP	110V-60Hz/13A-1300W	248lbs	24.5"x26.5"x26"
VP325	17.25"x16.5"x7"	(2) 16"	1.5 HP	110V-60Hz/13A-1300W	297lbs	20.7"x19.7"x40"
VP330	33.25"x19.5"x7"	(2) 12.5" (1) 27"	1.5 HP	110V/60Hz, 20Amps	210lbs	26.5"x43.5"x24.7"

COMMERCIAL VACUUM PACKAGING EQUIPMENT



VP321 - This machine is ideal for the serious user: restaurants, medium processors, supermarkets, labs, sous vide cooking. Table top chamber sealer will deliver a consistent vacuum and seal every time.



VP540 - This machine is ideal for heavy commercial users: medium to large processors, restaurants, supermarkets, HRI, labs, sous vide cooking. This unit will give you the consistency your food packaging is looking for.



VP545 - This machine will give you a dependable seal and vacuum every time. This machine is the solution for medium/large processors, restaurants, supermarkets, HRI, labs, sous vide and more.

Warranty: 1 Year
Limited Liability



NEW

VP680- Largest of the single chambered vacuum sealers in the VacMaster line. This machine is ideal for fish and meat processors, supermarkets, labs, sous vide applications and more.

ALFA #	CHAMBER SIZE	# SEAL BARS & LENGTH	VACUUM PUMP	ELECTRIC SPECS	SHIP WEIGHT	DIMENSIONS BOXED
VP540	21.25"x20.75"x7"	(2) 16"	1.5 HP	110V-60Hz/13A-1300W	350lbs	29.25" x 30.5" x 46"
VP545*	21.25"x20.75"x7"	(2) 20"	1.5 HP	110V-60Hz/13A-1300W	350lbs	29.25" x 30.5" x 46"
VP680*	40" x 22" x 7"	(2) 20"	3 HP	(3-Phase) 220V-60Hz	593lbs	47" x 28.5" x 39.5"
VP731	25" x 38" x 7.5"	(2) 31"	5 HP	220V-3PH/30A	1014lbs	34" x 83" x 55"
VP734	37" x 41" x 10"	(2) 34"	7.5 HP	220V-3PH/30A	1190lbs	50" x 88" x 54"

*The VP545 and VP680 models are equipped with a *gas flush* gas-replacement system

3-Mil Vacuum Bags

These pouches work with many chamber vacuum sealers, but are designed for use with all VacMaster VP Series Chamber Vacuum Sealers.

ALFA #	BAG SIZE	BAGS IN BOX
BAG-30720	6" x 8.5"	1000/BOX
BAG-30721	6" x 10"	1000/BOX
BAG-30722	8" x 10"	1000/BOX
BAG-30723	8" x 12"	1000/BOX
BAG-30724	10" x 10"	1000/BOX
BAG-30725	10" x 13"	1000/BOX
BAG-30726	10" x 15"	1000/BOX
BAG-30727	12" x 12"	1000/BOX
BAG-30728	12" x 14"	1000/BOX
BAG-30729	10" x 22"	500/BOX
BAG-30730	10" x 30"	500/BOX
BAG-30731	12" x 16"	500/BOX
BAG-30732	12" x 18"	500/BOX
BAG-30733	12" x 22"	500/BOX
BAG-30734	14" x 16"	500/BOX
BAG-30735	14" x 20"	500/BOX
BAG-30737	16" x 20"	500/BOX
BAG-30738	16" x 24"	500/BOX
BAG-30739	16" x 26"	250/BOX
BAG-30740	18" x 28"	250/BOX
BAG-30741	20" x 28"	250/BOX
BAG-30742	6" x 8"	1000/BOX
BAG-30743	6" x 12"	1000/BOX
BAG-30744	8" x 15"	1000/BOX
BAG-30745	10" x 18"	500/BOX
BAG-30746	12" x 15"	500/BOX
BAG-30747	22" x 34"	250/BOX
BAG-30765	2.5" x 10"	2000/BOX
BAG-30766	6" x 7"	1000/BOX
BAG-30768	12" x 28"	500/BOX
BAG-30777	9" x 12"	1000/BOX
BAG-30783	16" x 16"	500/BOX
BAG-30784	16" x 18"	500/BOX
BAG-30787	6" x 15"	1000/BOX
BAG-30788	7" x 9"	1000/BOX
BAG-30789	7" x 11"	1000/BOX
BAG-30791	7" x 12"	1000/BOX
BAG-30792	18" x 22"	500/BOX
BAG-40726	11.5" x 13"	250/BOX

Cook-in-pouch bags

These Vacuum Bags are boilable and can endure up to (100* C) 212* F for 30 minutes at a time, perfect for reheating food and preparing dishes a la sous vide.

ALFA #	BAG DIMS	# BAGS/BOX
POUCH-30749	3 MIL, 10" x 15"	1000/Box
POUCH-30750	3 MIL, 6" x 8.5"	1000/Box
POUCH-30752	3 MIL, 10" x 16"	1000/Box
POUCH-30753	3 MIL, 14" x 18"	500/Box
POUCH-40751	3 MIL, 8" x 12"	1000/Box
POUCH-40796	4 MIL, 12" x 16"	500/Box

Full Mesh Bags

These bags are specially designed to work with our suction type (non-chamber) vacuum sealers, PRO series.

ALFA #	BAG SIZE / # BAGS IN CASE
948151	VACUUM ROLL 11 1/2" x 20"/(2 ROLLS)
948260	11.5" x 14" (Gallon) / 40
948300	VACUUM BAGS COMBO PACK/ 60
948320	VACUUM BAGS 15" x 18" 3 MIL / 30
P130CP	.5 Quart Canister [Each]



VACMASTER® HOUSEHOLD SEALERS



VP112S - The VP112S has a low-profile design making it countertop friendly. Ideal for home kitchens, hunters and fisherman and sous vide cooking.



NEW

PRO350 - Features an easy to use control panel with pre-set vacuum settings. Ideal for heavy home use, recreational hunters and fishermen, and for sous vide cooking.

Warranty: 1 Year Limited Liability



NEW

DUO550 - This machine is a suction vacuum sealer and chamber vacuum sealer in one. Use external bags and package large items such as fish or racks of ribs and use the chamber sealer to seal liquids and wet foods like soups and sauces. The DUO550 offers leak-proof sealing technology to lock in freshness and flavor.



NEW

PRO380 - Features a stainless steel exterior and powerful dual piston pump. Ideal for heavy home use, recreational hunters and fishermen, and for sous vide cooking.

ALFA #	CHAMBER SIZE	LENGTH SEAL BAR	VACUUM PUMP	ELECTRICAL SPECS	SHIPPING WEIGHT	DIMENSIONS BOXED
DUO550	13" x 8.5" x 3"	12"	Maintenance Free	110V-60Hz	40lbs	20" x 15" x 7.5"
VP112S	12" x 11" x 5"	12"	Dry Rocker Piston	110V-60Hz	58lbs	26" x 18" x 9"
PRO350	N/A	12"	Dry Rocker Piston	110V-60Hz	19lbs	15" x 14" x 7"
PRO380	N/A	16"	Dry Rocker Piston	110V-60Hz	23lbs	19" x 14" x 7"

VACMASTER® SOUS VIDE COOKING SYSTEM

Sous vide is a unique process of cooking. Food must be packaged in a vacuum sealed bag, then cooked at a low and consistent temperature in a water bath.



SV1 - This Sous Vide thermal circulator uses a professional grade pump to circulate the water, providing consistent cooking temperatures resulting in uniform texture and superior flavor.



WATER TANK - Durable polycarbonate construction means that you can put it anywhere without wear and tear. Clamp SV1 Immersion Circulator to one of these tanks to create the perfect cooking bath.

ALFA #	DESCRIPTION	SHIPPING WEIGHT
13752 WB	Receptacle Basin	3lbs
BAG-30722	Pouch 8" x 10" (1000)	5lbs
BAG-30734	Pouch 14" x 16" (100)	4lbs
BAG-40726	Pouch 10" x 14" (100)	4lbs
SV1	Cooker Console	3lbs



VAC POUCH - BPA-free and FDA approved, our tough Nylon/Polyethylene pouches can be frozen, refrigerated, microwaved, boiled, or cooked sous vide!

ELECTRIC EQUIPMENT

ALFA
NEW FOR
2017

VACMASTER® REPLACEMENT PARTS



979322 - Exhaust filter for VP320, VP321, VP330 and VP540.



BONE GUARD
- Protective sheets keep sharp bones from puncturing seal bags

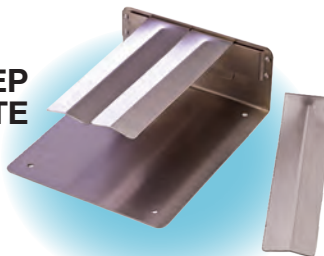


978231 - Chamber Pump Oil, quart size.



978232 - Chamber Pump Oil, gallon size.

PREP PLATE

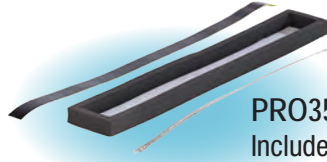


ALFA #	PRODUCT DESCRIPTION
977313	SVP10 & SVP15 Power Cord
978231	One Quart of Non-Detergent, Synthetic Blend Chamber Vacuum Pump Oil
978232	One Gallon of Non-Detergent, Synthetic Blend Chamber Vacuum Pump Oil
979138	VP Series Power Switch
979200	VP210, VP215 Seal Bar
979209	VP210, VP215 Fuse 15 Amp
979211	VP215 Maintenance Kit (Includes Fuses + Teflon Tape + Seal Wire + Hex Wrench + Double Sided Tape + Screw Driver + Oil Bottle)
979216	VP215 Pump Motor - 110V
979244	VP215 Oil and Gas Separator Filter
979250	VP215 Air Filter
979260	VP210 Combined Solenoid Valve (2 Into 1)
979261	VP215 Combined Solenoid Valve (3 Into 1)
979280	VP210, VP215 Small Piston Assembly
979320	VP320, VP321, VP330, VP540 Oil Pump
979322	VP320, VP321, VP330, VP540 Exhaust Filter
979340	VP320 Sealing Transformer - 110V
979341	VP321C, VP322C, VP325C, VP330C Sealing Transformer - 110V (HUALIAN)
979346	VP330 Gas Spring
979352	VP320, VP325 Hinge Set (Left & Right) - Shaft and Plate
979355	VP320, VP325, VP540, VP545 Proximity Switch
979356	VP320, VP321 Gas Spring
979366	VP540, VP545 Gas Spring
979380	VP320, VP325, VP540, VP545 Large Piston Assembly
979500	VP540, VP545 Seal Bar
979540	VP540, VP545 Sealing Transformer
979552	VP540, VP545 Left & Right Hinge Pin Set (Shaft & Plate)
979560	VP540, VP545 Combined Solenoid Valve (3 Into 1) Grey Control Panel
979612	VP112 Piston
979613	VP Series Vacuum Gauge
979631	VP112 Main Control Board
979642	VP112 Chamber
979698	Main Board for VP112S with Vacuum Sensors
BONE GUARD	Protective sheets keep sharp bones from puncturing seal bags
PREP PLATE	Platform helps you organize your vacuum-sealing prep workspace

VACMASTER® REPLACEMENT PARTS

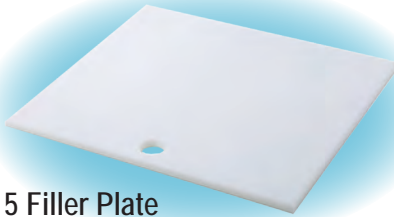


VP112S Lid Gasket
Gasket ensures a tight seal



PRO350 Maintenance Kit
Includes a Bottom Gasket, Seal Tape, and Seal Wire.

ALFA
NEW FOR
2017



VP210/VP215 Filler Plate
10 3/4" x 13 1/4" x 1/2" thick with a hole and notch cutout.



POUCH STAND



GAL POUCH STAND

PRODUCT DESCRIPTION

ALFA

ALFA #	PRODUCT DESCRIPTION
87831	PRO350 & PRO380 Metal Lid Prong
876356	PRO350 Control Board
876356	Control Board Assembly - PRO 350
876358	Solenoid Valve Large- PRO 350 and PRO 380
876359	Solenoid Valve- Small PRO 350 and PRO 380
876386	Control Board Assembly- PRO 380
977814	Flushing Oil - Quart
979127	VP Series Circuit Board - Gray Control Panel
979156	VP Series Silicon Hose .236 ID X .472 OD - Cut to Length
979215	VP215 Oil Pump
979221	VP215 Pump Oil Sight Glass
979242	VP210, VP215 Wire Harness - Multi-Color Ribbon Cable
979245	VP215 Brass Fitting for Oil and Gas Separator
979255	VP210, VP215 Micro Switch
979300	VP320, VP325 Seal Bar
979323	VP320, VP321, VP330, VP540 Oil Sight Glass for Pump
979410	VP210, VP215 Seal Tape
979420	VP320, VP325 Seal Tape
979425	VP210, VP215 Lid Gasket
979440	VP540 and VP545 Seal Tape
979542	VP325C, VP540C, VP545C Wire Harness - Multi-Color Ribbon Cable 47.2" Long (HUALIAN)
979553	VP540, VP545 Hinge Pin - Hole in Each End for Cotter Pin
979600	VP112 Seal Bar
979601	VP 112 Lid
979616	VP112 Circuit Board
979621	VP112 Filler Plate Set
979626	VP112 Power Supply Board
979636	VP112 Piston Solenoid Valve
979643	VP112, VP112S, & Duo550 Pouch Clamp
979358-8	VP320 & Larger Machines Shoulder Bolt - 8M (Attaches Gas Spring to Upper Support)
979612S	VP112S Piston
979642S	VP112S Chamber, Black (New Style)
GAL POUCH STAND	Holds gallon bag in Vacuum-Sealing process
POUCH STAND	Holds multiple bags in Vacuum-Sealing process



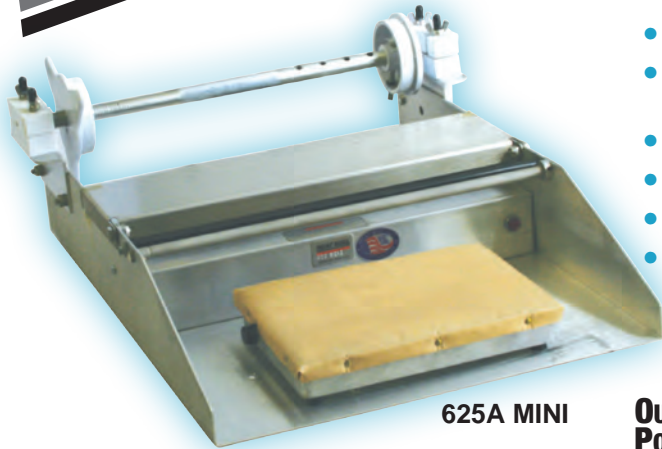
HEAT SEAL WRAPPERS

The industry standard for the past 65 years!

These film-wrapping food packaging units are made of heavy duty components to withstand years of use and have many features not found on other wrappers.

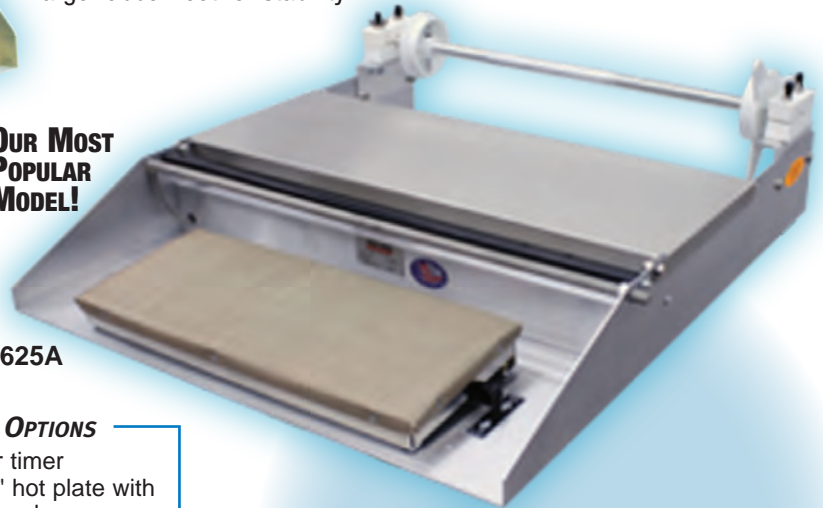
TABLETOP MODELS

- Solid state controlled film cutoff rod
- Thermostatically controlled hot plate with non-stick, replaceable non-stick cover
- Heavy gauge aluminum base
- Aluminum and Stainless Steel construction
- Stainless Steel wrapping surface
- Large rubber feet for stability



625A MINI

OUR MOST POPULAR MODEL!



625A

Sales Tip: We recommend **Roller Mounted Wrappers** (500A & 600A) when film roll sizes are changed frequently.

625A OPTIONS

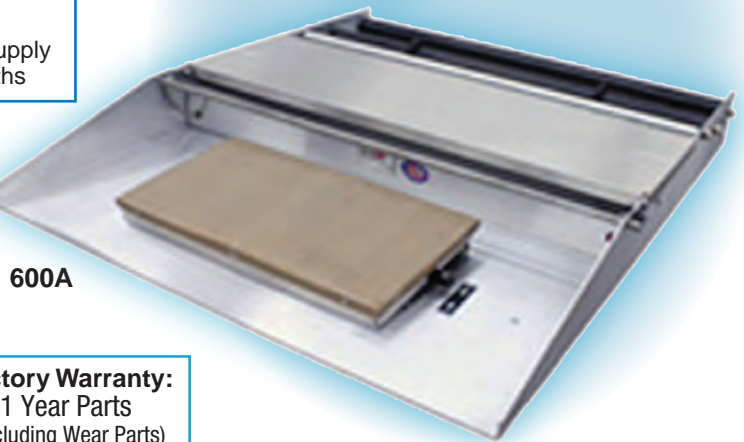
- 12 hour timer
- 8" x 15" hot plate with belly guard
- Model 50 stand
- 220 volt power supply
- 24" width

500A OPTIONS

- 12 hour timer
- 220 volt power supply

600A OPTIONS

- 12 hour timer
- 8" x 15" hot plate with belly guard
- Model 50 stand
- 220 volt power supply
- 24", 30", 36" widths



600A

Factory Warranty:
1 Year Parts
(Excluding Wear Parts)



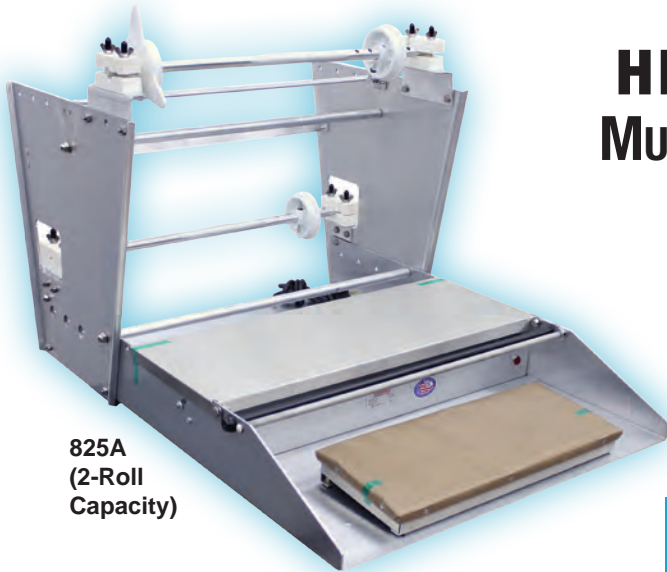
500A

Sales Tip: We recommend **Axle Mounted Wrappers** (625A & 625A Mini) when film rolls of only one size are being used.

ALFA #	HOT PLATE SIZE	DIMENSIONS	MAX FILM WIDTH	ELECTRICAL REQUIREMENT	WEIGHT
500A	6" x 15"	17" D x 23-1/4" W x 9-3/4" H	18"	115 V	18 lbs.
500A MINI	6" x 9"	17" D x 15" W x 9-3/4" H	12"	115 V	14 lbs.
600A	6" x 15"	26" D x 22-1/2" W x 5" H	20"	115 V	30 lbs.
625A	6" x 15"	26" D x 22-1/2" W x 9" H	18"	115 V	20 lbs.
625A MINI	6" x 9"	21" D x 15" W x 5" H	13"	115 V	20 lbs.
825A (2 Rolls)	6" x 15"	26" D x 22-1/2" W x 9" H	18"	115 V	50 lbs.

NOTE: Heat Seal Equipment is sold without film.

HEAT SEAL WRAPPERS MULTI-ROLL AND STAND MODELS



825A
(2-Roll
Capacity)

- Solid state controlled film cutoff rod
- Thermostatically controlled hot plate with non-stick, replaceable non-stick cover
- Heavy gauge aluminum base
- Aluminum and Stainless Steel construction
- Stainless Steel wrapping surface
- Large rubber feet for stability



Factory Warranty:
1 Year Parts
(Excluding Wear Parts)



104A
(Wings
Optional)



102A
with
Splash
Shield



107A
with
Splash
Shield

NOTE: HeatSeal Stand Models must ship by TRUCK.

STAND MODEL FEATURES

- Adjustable foot pads for easy leveling on uneven floors
- Multiple roll capacity
- Easy to use film selector feature
- Adjustable film tension

STAND MODEL OPTIONS

- 12 hour timer
- All Stainless Steel construction (S104A)
- 115 volts, 6.5 amps, 60 cycle
- Stainless Steel wings
- Accessory storage rack (ASR)
- Label dispensers (various sizes available)
- Available in extended widths (e.g., 24", 30" and 36")

ALFA #	No. Of ROLLS	HOT PLATE SIZE	DIMENSIONS	MAX FILM WIDTH	ELECTRICAL REQUIREMENT	WEIGHT
102A	2	6" x 15"	26" D x 23" W x 38" H	18"	115 V	65 lbs.
104A	3	8" x 15"	26" D x 25" W x 38" H	20"	115 V	65 lbs.
107A	3	8" x 15"	26" D x 23" W x 38" H	18"	115 V	65 lbs.
112A	3	6" x 15"	12.5" D x 25" W x 37" H	20"	115 V	65 lbs.



PVC FILM FOR HEAT SEAL MACHINES

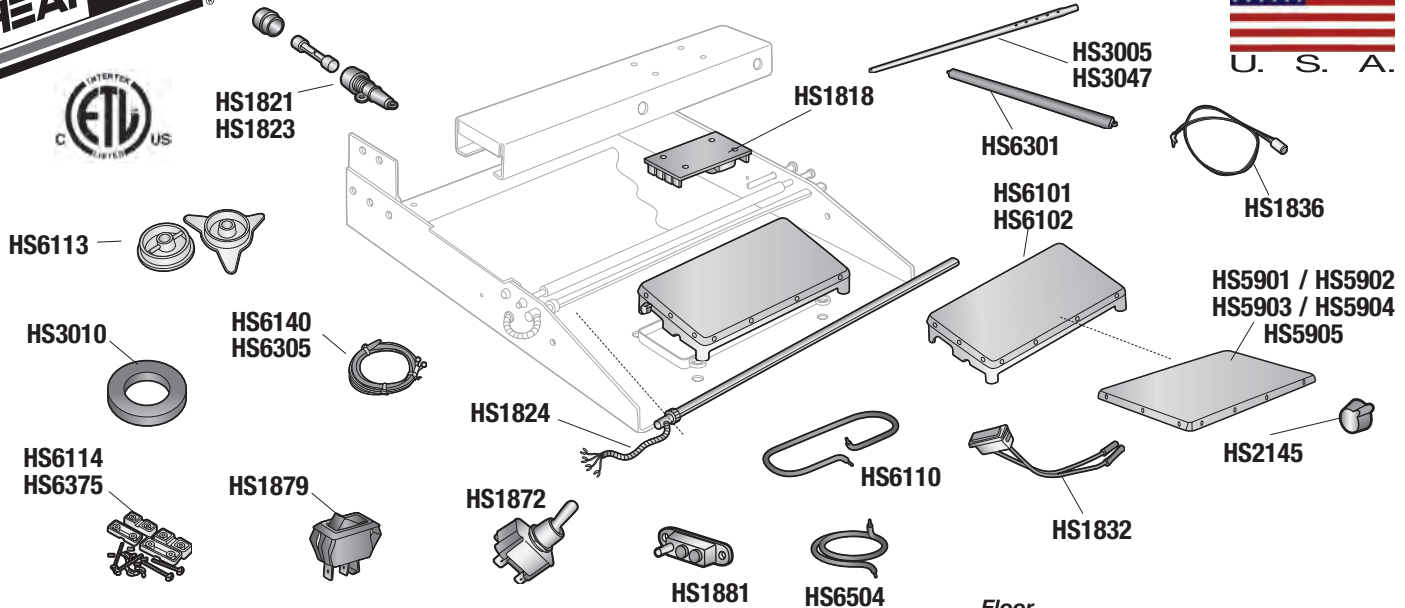
ALL PURPOSE FILM

High Oxygen Transmission rate allows product to bloom, stay tender and look appetizing in the case. Best selling meat film in the world.

ALFA #	DESCRIPTION	SIZE
HSMF-12	Resinite Stretch Film	12" W x 5000' L
HSMF-18	Resinite Stretch Film	18" W x 5000' L



HEAT SEAL WRAPPER PARTS



Genuine HEAT SEAL Components

FITS MODELS	Floor Models		Tabletop Models									
	102A	104A	107A	107AS	500A	500A	600A	605A	625A	800A	825A	850A

ALFA #	HEAT SEAL PART #	HOBART PART #	DESCRIPTION	102A	104A	107A	107AS	500A	500A	600A	605A	625A	800A	825A	850A	875A
HS-HOB-FUSE	1821013	FE-016-40	1 Amp Fuse (Fits Hobart HWS4 AND HWS4C) NEW										X			
HS1818	1818001	00-132654-00006	Circuit Control Board	X	X	X	X	X	X	X	X	X	X	X	X	X
HS1821	1821034		1 Amp MDA Fuse Slo-Blo	X	X	X	X	X	X	X	X	X	X	X	X	X
HS1823	1821013	913089-00123	Fuse Holder	X	X	X	X			X	X					
HS1824	1824011	00-134429	23"-Long Cut Off Rod	X	X	X	X	X		X	X		X	X	X	X
HS1832	1836002		Red Rectangular Pilot Light	X	X	X	X									
HS1836	1836004	00-132654-00004	Round Red Pilot Light							X	X	X	X	X	X	X
HS1872	1872008	00-130445-00004	15-Amp Toggle Switch, 125V	X	X	X	X			X	X	X	X	X	X	X
HS1879	1872009		Lighted On/Off Rocker Switch					X	X							
HS1881	1881002	00-913089-00166	B200 Thermostat	X	X	X	X	X	X	X	X	X	X	X	X	X
HS2145	2145005	00-444950	B200 Thermostat Knob	X	X	X	X	X	X	X	X	X	X	X	X	X
HS3005	3005004	00-130445-00040	Film Core Axle (5/8" x 21 15/16" Long)	X	X			X	X	X	X		X	X		X
HS3010	3010016		"D" Ring Film Retainer					X								
HS3047	3005047		Film Core Axle (5/8" x 24" Long)	X	X	X										
HS5901	5901011	00-130585-00001	NonStick Cover 6" x 15"							X	X		X	X		X
HS5902	5901014		NonStick Cover 6" x 9"					X				X				
HS5903	5901001	00-133320-00001	NonStick Cover 8" x 15"	X	X											
HS5904		3345687	Nonstick Cover 6" x 14" (Fits Hobart HWS4 AND HWS4C)													
HS5905	5901002		NonStick Cover 9" x 12"													
HS6101	6101020		6"x15" Hot Plate Ass'y Kit, 110V (Inc. Thermostat, Element, Fabricated Plate, Wires & Non-Stick Cover)	X				X	X	X	X		X	X		X
HS6102	6102043		8" x 15" Hot Plate Ass'y Kit, 110V (Inc. Thermostat, Element, Fabricated Plate, Wires & Non-Stick Cover)	X	X											
HS6108	6108000	13332-00005	Red Rectangular Pilot Light NEW (Fits Hobart HWS4 AND HWS4C)									X				
HS6110	6110016	913089-00167	Heating Element Assembly (for 6" x 15", 8" x 15")	X	X	X	X		X	X		X	X	X	X	X
HS6113	6110023		3" White Core Adapter/End Caps (Set of 2 w/ Bracket)	X	X	X	X				X	X		X		X
HS6114	6305018		Bearing Block Set (2004 on)	X	X	X	X				X					X
HS6140	6110040		Seal Plate Wire Harness Kit (3 Wires)	X	X	X	X									
HS6301	6301047		Film Roller Assembly Kit (2 Roller Kit)					X	X				X	X		
HS6305	6305041	00-046495	Seal Plate Wire Harness Kit (3 Wires)							X	X		X	X	X	X
HS6375	6305075	444617	Bearing Block Kit w/ Mounting Bracket (pre 2004)							X			X	X	X	
HS6504	6504022		Heating Element 6" x 9"					X				X				
CORD	N/A	00-130445-001	Power Cord - 8" Black (UL Listed)	X	X	X	X	X	X	X	X	X	X	X	X	X

ALFA
NEW FOR
2017



COMMERCIAL MEAT GRINDER

AMERICAN EAGLE

Excellent quality at an affordable price, this electric meat grinder food will satisfy service professionals, hunters and home enthusiasts alike. With a transmission permanently lubricated and sealed, the air-cooled motor ensures years of trouble-free service. The specially-designed and patented grinder head has rifled chamber walls, which make sausage production a breeze.

- Heavy duty 1HP motor grinds 250 lbs/hour
- Patented grinder head design with rifled chamber
- Quick pass auger reduces food waste
- Metal gear-driven transmission
- All stainless steel grinder head components
- Standard #12 Hobart-style hub



ALFA #	DESCRIPTION	SHIP WEIGHT	DIMENSIONS
AEMG-12	1 HP Grinder	62 lbs.	18"L x 13"W x 16"H

Electrical Specs: 115V-60HZ / 1 Phase

WARRANTY: 1 Year Limited Warranty
(Registration Required)

Unit includes stainless steel feeder pan, meat pusher, sausage stuffing tube (3/4" output), 1/4" grinder plate (6mm), 5/16" grinder plate (8mm), and one stainless steel knife. For Complete Details about the AEMG-12, See Page 70

LIGHT COMMERCIAL / HOUSEHOLD GRINDER

The MC5

- Rugged die-cast aluminum grinding head
- Pan, stomper, #12 S/S chopping knife
- Includes 3 chopper plates (1/8", 3/16" & 5/16")
- 3 stuffing tubes and Kubbe attachment included
- Steel gears – not plastic
- Reverse switch to clear grinder jams

WARRANTY: 6 Months

ALFA #	DESCRIPTION	SHIP WEIGHT	DIMENSIONS
MC5	.5 HP Grinder	16.5 lbs.	16" x 7" x 17"

Electrical Specs: 115V-60HZ / 350W



For Complete Details about
the MC-5, See Page 70

ELECTRIC EQUIPMENT

ELMECO

COLD / FROZEN BEVERAGE "SLUSHY" DISPENSERS

THE MILLENNIUM

(3.2 Gallon Tank Capacity Each)



AFCM-3



*Made In
Italy*

With separately programmable tanks, the AFCM-3 Elmeco Millennium Cold Beverage Dispenser allows you to maximize your money-making opportunities: sell cold lemonade on the left, strawberry slushy in the center and lime frozen yogurt on the right. Calculate your cost-per-cup and look at your market to see what you can charge for a delicious frozen treat. This machine can pay for itself in a single season! (The compressor's warranty is good for FIVE YEARS.)

WARRANTY: 5 years Compressor, 3 years Electronics, 2 years Parts (except plastic, rubber & other wear items), 1 year Labor, supported by a National Service Network



AFCM-2

- Perfect for Slushies, Sorbet, Smoothies, Sangria, Iced Coffee/Tea, Lemonade, Italian Granitas, Frozen Margaritas, Coladas, Daiquiris, Yogurts, Shakes and much more.
- Patented, Dual-Auger design keeps product up front for better visual appeal.
- Simple to learn, program and operate. And, with its patented "seal-less" operation, easy to clean, too!
- Multiple tank models are separately programmable, making for a versatile beverage lineup



AFCM-1

ALFA #	DESCRIPTION	MOTOR	ELECTRICAL	NET/SHIP	DIMENSIONS (H x W x D)
AFCM-1	Programmable-(1) Bowl (3.2 Gal.) Cold/Frozen Beverage Dispenser	500W/.67 HP	115V-60Hz	68/82 lbs.	30.7" x 9.5" x 22"
AFCM-2	Programmable-(2) Bowl (6.4 Gal.) Cold/Frozen Beverage Dispenser	900W/1.2 HP	115V-60Hz	115/130 lbs.	30.7" x 16.9" x 22"
AFCM-3	Programmable-(3) Bowl (9.6 Gal.) Cold/Frozen Beverage Dispenser	1200W/1.6 HP	115V-60Hz	141/154 lbs.	30.7" x 24.4" x 22"

THE MILLENNIUM'S AUTOFILL SYSTEM FOR HIGH VOLUME OPERATIONS

For those busy high-volume establishments that can't afford ANY downtime during service hours, Elmeco offers a state-of-the art AutoFill system that increases volume by an additional 19 gallons (per tank/ per unit). Systems are AUTOFILL-02 or -03 – call or email us for a spec sheet.

THE **BIG BIZ** "SLUSHY" DISPENSERS

(1.6 Gallon Tank)



Made In Italy



BB-2

With the same great technology and Italian craftsmanship as the Elmeco Millennium, but with tanks half as large, the Big Biz is perfect for smaller businesses and does NOT require periodic seal replacement or a mandatory service contract.

The innovative design of the Big Biz makes them a powerful merchandiser and profit center for your business. Make all your favorite frozen beverages including smoothies, pina coladas, even cafe crema!

WARRANTY: 5 years Compressor, 3 years Electronics, 2 years Parts (except plastic, rubber & other wear items), 1 year Labor – supported by a National Service Network



BB-1

ALFA #	DESCRIPTION	MOTOR	NET/SHIP	DIMS (H x W x D)
ABB-1	(1) Bowl, 1.6 Gallon Capacity	320W/.43 HP	55/59 lbs.	21.9v x 9.8" x 18.7"
ABB-2	(2) Bowl, 3.2 Gallon Capacity	540W/.72 HP	75/84 lbs.	21.9" x 17.3" x 18.7"

Electrical: 115V-60Hz

THE **QUICKREAM**

COUNTERTOP SOFT SERVE ICE CREAM / GELATO

100-Cone Capacity!



QKRM-1

Soft-serve ice cream* adds a huge boost to your business profits. Soft-serve machines, however, have always been a huge investment for caterers, mom & pops and new business startups. The Italian manufacturer Elmeco spent 75 years perfecting Slushy machines and their new Quickream dispenser is both affordable and dependable – the Entry-level bar to soft serve has finally been lifted. Get two and double your revenue!

- Quiet and energy-efficient
- Patented "Total Cold" refrigeration system keeps product at a constant temperature to the very last portion left in the machine
- Quick and easy to disassemble, the Quickream offers maximum hygiene for milk-based products

ALFA #	COMPRESSOR	ELECTRICAL	SHIP WT.	DIMENSIONS (H x W x D)
QKRM-1	1/3 HP/ 7 Amps	115V-60Hz	75 lbs.	30.7" x 24.4" x 22"

Capacity .8 Gallon (approx. 100 cones)

*Ask for a list of recommended mix suppliers

WARRANTY: 5 years Compressor, 3 years Electronics, 2 years Parts (except plastic, rubber & other wear items), 1 year Labor

ELECTRIC EQUIPMENT



ALFA NEW FOR 2017

FROZEN BEVERAGE DISPENSERS

THE B-LARGE



Newly designed, Elmeco's B-Large has 2.1 gallon tanks that are the perfect intermediate size, midway between the smaller Big Biz (1.6) and the large-capacity Millennium (3.2). Highly reliable and compact, these machines have been equipped with a self-dispenser and a portion-control dispensing system. The B-Large's innovative dispenser nozzle is perfect for high-density frozen beverages such as milkshakes, frozen coffee and other treats. Discover new recipes, invent new flavors!

ALFA #	DESCRIPTION	MOTOR	WEIGHT	DIMS (H x W x D)
B-LARGE1	1 Bowl, 2.1 Gallon Capacity	320W/.43 HP	55.12 lbs.	22" x 10" x 19"
B-LARGE2	2 Bowls, 4.2 Gallon Capacity	540W/.72 HP	75.3 lbs.	22" x 17.3" x 19"

Electrical: 115V-60Hz

THE B-LARGE PLUS



The B-Large Plus takes Elmeco's great technology and doubles it for your profit! With a brand-new design, this machine takes the highly reliable technology of the B-Large and adds a LED-lighting system that lights up the product in the tanks for maximum sales display performance! Perfect for granita, soft drinks, semi-frozen and frozen desserts, iced coffee and tea, cocktails, sorbet, frozen yogurt, sangria, lemonade and much, much more... Discover new recipes, invent new flavors!

- Patented, Dual-Auger design keeps product up front for better visual appeal.
- Simple to learn, program and operate. And, with its patented "seal-less" operation, easy to clean, too!

ALFA #	DESCRIPTION	MOTOR	WEIGHT	DIMS (H x W x D)
B LARGE+	2 Bowls, 4.2 Gallon Capacity	320W/.72 HP	75 lbs.	22" x 17.3" x 19"

Electrical: 115V-60Hz

THE B-SMART

Since the beginning of their history, when they invented the first slushy machine, Elmeco has strived to enact the idea of innovation every day. BSmart is the first multipurpose electronic slushy machine with credit management and portion controls. You can recharge credit by using the provided electronic key. And it's easy to use and clean!

ALFA #	DESCRIPTION	MOTOR	NET/SHIP	DIMS (H x W x D)
B SMART	1 Bowl, 1.58 Gallon Capacity	320W/.43 HP	55.12 lbs.	22" x 10" x 19"

Electrical: 115V-60Hz

WARRANTY FOR ALL MACHINES ON THIS PAGE: 5 years Compressor, 3 years Electronics, 2 years Parts (except plastic, rubber & other wear items), 1 year Labor, with support by a National Service Network



Need PARTS for your

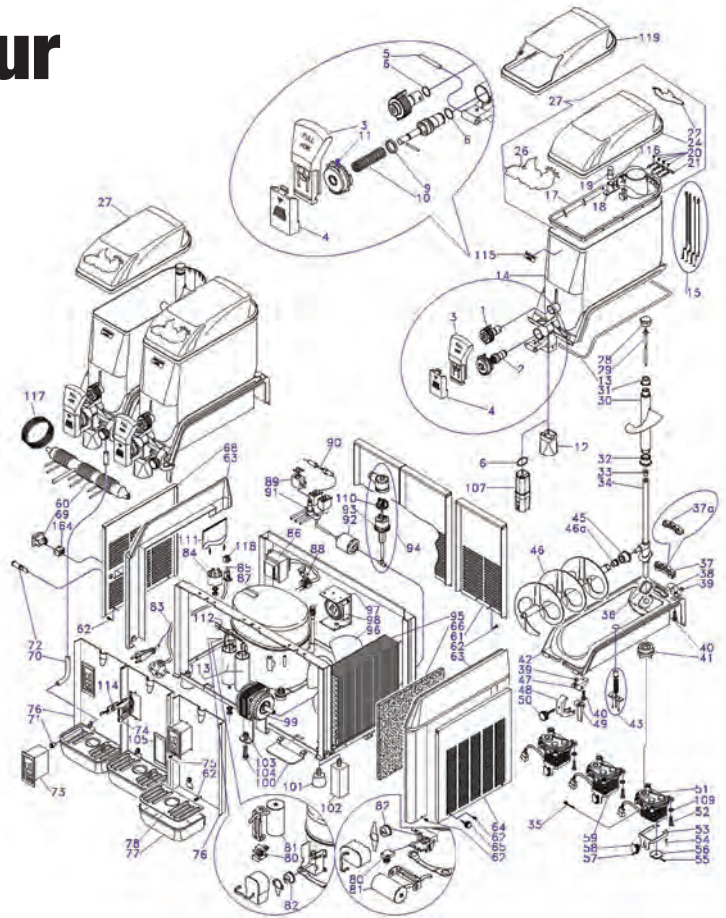


Machine?

**Shown:
Schematic for
AFCM (First Class)
Granita Machine**

**For listings and
schematics, see
pages 169-171.**

**ALL PARTS
ARE AVAILABLE
If not listed, refer
to # on Schema.**



Maintenance Kits

No need to blow a gasket when you literally blow a gasket!
These kits will keep you up and making money when simple
replacement wear items are needed on your machine.

BIGBIZ KIT: Lubricant (1x), Cleaner (1x), Gasket for Transparent Tank (2x), Outlet Back Gasket (2x), O-Ring 117 (6x), Pinion Vertical Auger (2x), Horizontal Auger Gear (2x), Black Hinge Hook (4x).

BSMART/BLARGE KIT: Lubricant (1x), Cleaner (1x), Gasket for Transparent Tank (2x), Outlet Back Gasket (2x), O-Ring 117 (2x), Vertical Auger & Gear (2x), Horizontal Auger Gear (2x), Black Hinge Hook (4x).

FCM KIT (FIRST CLASS/MILLENIUM): Lubricant (1x), Cleaner (1x), Gasket for Transparent Tank (3x), Outlet Back Gasket (9x), O-Ring 117 (3x), Pinion Vertical Auger (3x), Horizontal Auger Gear (3x), Kit Contatti (1x), Black Hinge Hook (6x).

QUICKCREAM KIT: Lubricant (1x), Cleaner (1x), Gasket for Transparent Tank (1x), Outlet Back Gasket (1x), O-Ring 117 (1x), Pinion Vertical Auger (1x), Horizontal Auger Gear (1x), Black Hinge Hook (2x).

ALFA

BIGBIZ KIT (Part# C0000110-001)

BSMART/BLARGE KIT (Part# C0000107-001)

FCM KIT (Part#C0000109-001)

QUICKCREAM KIT (Part# C0000108-001)



KIT BSMART/BLARGE

ELECTRIC EQUIPMENT



PORTION CONTROL SCALE



ASW-50

REAR DISPLAY AND WET-RESISTANT MODELS AVAILABLE

ASW SCALES

Our BEST-SELLING electronic scales are “Legal for Trade” and can be used in any sales environment. Weight Modes are kg/lb/oz/g. Comes with a full protective “Wet Cover” & Stainless Steel Platter. Optional oversized “Large Platter” (LP). Shipping weight is 10 pounds; platform dimensions are 9” x 7.5.” Batteries not included.
Warranty: 1 year parts & labor.

ALFA #	WEIGHT CAPACITIES	POWER SOURCE
ASW-5	5 lbs./0.002 lbs.	(6) D Batteries / AC Adapter (Included)
ASW-10	10 lbs./0.005 lbs.	(6) D Batteries / AC Adapter (Included)
ASW-20	20 lbs./0.01 lbs.	(6) D Batteries / AC Adapter (Included)
ASW-50	50 lbs./0.02 lbs.	(6) D Batteries / AC Adapter (Included)

PRICE-COMPUTING/PRINTING SCALES

A2JR – SIMPLE & VERSATILE

These “LEGAL for TRADE” price-computing scales are affordable, versatile and easy-to-use. One of our best-selling scales, it’s a great choice for users new to electronic scales or for those whose needs don’t require a more-expensive label-printing scale. Simple to program, the A2JR features 199 Indirect PLUs and 3 Direct PLUs. Scales are kg/lb switchable and include a stainless steel platter and auto power off.

Options include:

- Thermal label-printer (ADLP50 - see below)
- Electronic Display Pole with Rear View
- Model choice of AC-only or AC-or-battery power (LCD models include a rechargeable battery)
- Wet Cover (WC) or Oversize Fish Platter (FP)

Warranty: Two years parts & labor

NOTE: Weighing product that exceeds the scale maximum weight capacity may damage the scale and void the warranty.

Note: Platform dimensions for these models are 12” x 8.7.”

ALFA #	WEIGHT CAPACITIES	POWER SOURCE	NET/SHIP WEIGHT
A2JR-15	15 lbs.-0-6 lbs. x 0.002 lbs. 6-15 lbs. x 0.006 lbs.	AC120V/60Hz or Battery	9.9/16 lbs.
A2JR-30	30 lbs.-0-15 lbs. x 0.002 lbs. 6-15 lbs. x 0.006 lbs.	AC120V/60Hz or Battery	9.9/16 lbs.
A2JR-60	60 lbs.-0-30 lbs. x 0.002 lbs. 30-60 lbs. x 0.006 lbs.	AC120V/60Hz or Battery	9.9/16 lbs.



A2JR-30 - SHOWN WITH OPTIONAL DISPLAY POLE

DLP50 PRINTER

This printer for the A2JR price-computing scales prints a simple, adhesive-backed label with some basic messaging, the price per pound (or kg), the total weight and the total price.

A2JR-DLP50	Shipping Weight 1 lb.
A2JR-LABELS (1000 labels per case)	Shipping Weight 8 lbs.

Printer Warranty: 1 Year

A2JR-DLP50



LABELS FOR ALP1-30 PRICE-COMPUTING SCALES

ALFA PART #	LABEL SIZE	# LABELS/ROLL	# ROLLS / CASE	SAFE HANDLING
LST-8000	58mm x 30mm	1000	12	No
LST-8010	58mm x 40mm	700	12	No
LST-8020	58mm x 60mm	500	12	No
LST-8030	58mm x 50mm	600	12	Yes
LST-8040	58mm x 60mm	500	12	Yes
LST-8050	[Continuous Label Strip]	n/a	6	n/a

NOTE: A “Safe Handling” label tells the consumer how to safely store, prepare, and handle raw meat and poultry products in the home.

Weighing product exceeding weight capacity of scale may damage scale and void warranty.



PRICE-COMPUTING SCALES

AS2K – FOR THE MORE DEMANDING END-USER

For operations that don't need label-printing capacity, this programmable price-computing scale features a low profile and a raised tactile soft-touch keyboard for easy programming of 999 PLUs. "LEGAL for TRADE" certified, each AS2K scale has a VFD Display to ensure easy viewing.

- 2 Weighing Capacities from 0-30 & 0-60 lbs.
- Stainless Steel Platter
- Auto Span Adjustment & Auto Zero Tracking
- Options: Wet Cover (WC) and/or Fish Platter (FP)

Warranty: 1 year parts & labor.



AS2K-30

ALFA #	WEIGHT CAPACITIES	POWER SOURCE	NET/SHIP WEIGHT	DIMENSIONS-PLATTER
AS2K-30	30 lbs./0.01 lbs.	AC120V/60Hz	17 / 20 lbs.	15.3" x 14.3" x 6.4"/14.6" x 10.9"
AS2K-60	60 lbs./0.01 lbs.	AC120V/60Hz	17.1/20 lbs.	15.3" x 14.3" x 6.4"/14.6" x 10.9"

PRICE-COMPUTING/PRINTING SCALES

ALP1 – FOR THE MOST DEMANDING END-USER

This "LEGAL for TRADE" high-speed thermal label-printing scale is ideal for small/medium store applications and provides much greater capacity than either the A2JR or AS2K. With this scale your end-user will have a wide variety of label options as well as 4000 PLUs and 54 Preset Keys. There are over 30 Standard Label Formats from which to choose. The Auto Printing & Save keys make for quick and easy transactions when preferred.

Options include:

- Electronic Display Pole
- Wet Cover (WC)
- Oversize Fish Platter (FP)

Warranty: 1 year parts & labor.



ALP1-30



ALFA #	WEIGHT CAPACITIES	POWER SOURCE	NET/SHIP WEIGHT	DIMENSIONS-PLATTER
ALP1-30	30 lbs./0.01 lbs.	AC110V-50/60Hz	22.5/46 lbs.	16.1" x 16.9" x 7.8"/15.7" x 9.6"

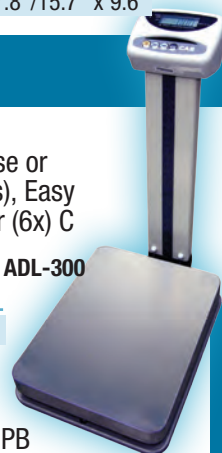
BENCH / PLATFORM SCALES

ADL PLATFORM SCALES

These sturdy "Legal For Trade" Bench/Platform Scales can take the rough handling found in a warehouse or loading dock with ease. Features: Kg/Lb Switchable, Auto Power-Off, (2) Weight Capacities (150/300 lbs), Easy to Read LCD Display with Auto-Zero Tracking & Auto-Span Adjustment technology. Runs on AC power or (6x) C Batteries. **Warranty:** 2 years parts & labor.

ALFA #	WEIGHT CAPACITIES	NET/SHIP WEIGHT	DIMENSIONS-PLATTER
ADL-150	150 lbs. -150 x 0.05 lbs. 60 kg. x 20 g.	39.7/46 lbs.	16.5" x 25.8" x 31"/15.8" x 20.6"
ADL-300	300 lbs. -300 x 0.1 lbs. 150 kg. x 50 g.	39.7/46 lbs.	16.5" x 25.8" x 31"/15.8" x 20.6"

ADL-300



APB PORTABLE PLATFORM SCALES

Easy to carry with a detachable LCD Display (not shown), the Alfa PB Series Portable Bench Scale also prints receipts with the optional Alfa DEP Receipt Printer. Runs on included rechargeable battery or (4x) "C" batteries (not included). Shipping weight: 16 pounds. **Warranty:** 1 year parts & labor.

ALFA #	WEIGHT CAPACITIES	DIMENSIONS-PLATTER
APB-150	0-60 x 0.02 lbs / 60-150 x 0.05 lbs	14.0 (W) x 17.5 (D)
APB-300	0-150 x 0.05 lbs / 150-300 x 0.1 lbs	14.0 (W) x 17.5 (D)
APB-500	0-300 x 0.1 lbs / 300-600 x 0.2 lbs	14.0 (W) x 17.5 (D)

ADEP RECEIPT PRINTER (Shipping Weight 6 lbs.) Call us for a Tearsheet



APB-300

ELECTRIC EQUIPMENT



FOOD WARMERS



Alfa's heavy-duty stainless steel Food Warmers with the easy-draining spigot have become an industry standard!

- Mirror-polished 18/8 Stainless Steel Exterior
- EZ-DRAIN front spigot makes draining water easy and safe
- Energy-saving thermostatically-controlled element heats only when needed
- Water-resistant Switch Cover
- Standard 12" x 20" well accepts most popular pans
- 65" Cord; 3-prong grounded plug

For Parts, See Schematic on pages 164-165

FW9000

ALFA EXCLUSIVE



Specifications:

- Voltage: 120V AC, 60HZ, 1PH
- Warming Power: 1200 Watts
- Amperage: 10 Amps
- Well Capacity: 4.5 Quarts of hot water
- Outside Dimensions: 24" L, 13-1/4" W, 10" H
- Inside Dimensions: 20" L, 12" W, 6" H

FW9003

Includes all features of the FW9000 above, plus three stainless steel 5-qt. inserts with ladles and lids.



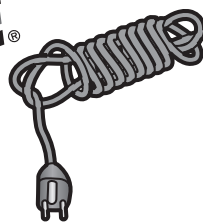
ALFA #	DESCRIPTION	SHIPPING WEIGHT
FW9000	Single Warmer with Spigot	30 lbs.
FW9002	Double Warmer with Spigot	35 lbs.
FW9003	Triple Warmer with Spigot	37 lbs.

WARRANTY: 6 Months

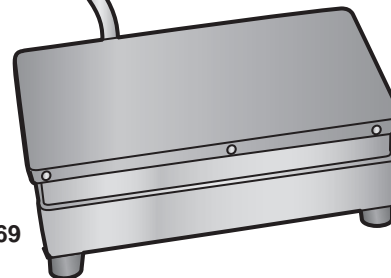
HOT PLATES from



- Completely portable
- Adjustable thermostat - 100° F to 450° F
- Heavy cast aluminum and Stainless Steel
- Nonstick cover easily replaced
- Can be used for heat shrinking of small packages



TT-69



ALFA #	DESCRIPTION	SIZE	WEIGHT	CORD
TT-69	Hot Plate	6" x 9"	5 lbs.	6-1/2 Ft.
TT-912	Hot Plate	9" x 12"	9 lbs.	5 Ft.
HS5905	Non-Stick Cover	9" x 12"	1 lb.	-

Electrical Specifications:
115 volts

ALFA[®] SOUP WARMER / COOKER

Our Soup Warmer/Cooker is ideally suited for everything from soup, chili, stew and a variety of sauces. Equipped with a host of quality features that make it able to withstand everyday use.

- Steel outer shell with easy-to-clean black powder finish
- Stainless Steel 10.5 Qt. insert included with each unit
- Powerful 600 Watt heating element heats quickly
- Easy to use 12-setting thermostat dial
- Prominent amber on/off indicator light
- Set of product signs and magnetic sign holder included
- 4 Oz. Stainless Steel ladle included
- Warranty: 6 Months

Electrical Specifications: 110 volts, 60 cycles, single phase, 5.0 amps

**ALFA
EXCLUSIVE**



SW6000

ALFA #	DESCRIPTION	DIMENSIONS	WEIGHT
SW6000	Electric Soup Warmer	14" x 14" x 16"	14 lbs.
SW606	SS Warmer Insert	10.5 Qt.	3 lbs.
SL-0414	Soup Warmer Ladle	Length 12"	.5 lb.

Operation Note: These Food Warmers are for "Wet Use" only. Dry operation of this equipment is dangerous and will VOID all product warranties.



PARTS for ALFA Soup Warmer SW6000

PART #	DESCRIPTION
SW601-2	SCREW FOR WARMER LID HANDLE
SW601-3	COMPLETE S/S LID WITH HINGE
SW601-4	SST HINGE ONLY FOR S/S LID
SW602	RIM HINGE FOR LID
SW603	COLLAR, BLACK ALUMINUM
SW604	BUSHING
SW605	SCREW - ALUMINUM INSERT
SW606	S/S INSERT 10.5 QUART
SW609	HEATING ELEMENT
SW609-220	HEATING ELEMENT (220V)
SW610	NEON LIGHT
SW610-220	NEON LIGHT (220V)
SW611	SCREW FOR NEON LIGHT
SW612	PLASTIC RED DOT
SW613	ON/OFF KNOB SWITCH TEMP CONTRL
SW614	ON/OFF SWITCH TEMP CONTROL W/ THERMOSTAT
SW615	CONTROLLER SCREW
SW616	GRND STAR WASHER
SW617	LEG SCREW

See diagrams on pages 166-167.

PART #	DESCRIPTION
SW618	LEG WASHER
SW619	LEG
SW620	ROUND WIRE SCREW
SW622	STRAIN RELIEF POWER CORD
SW623	KETTLE BOTTOM COVER
SW624	NEON LIGHT WIRE
SW625	NEON LIGHT WIRE FOR SWE6000
SW626	CONNECTION WIRE
SW627	CONNECTION WIRE
SW628	CONNECTION WIRE
SW629	FUSE
SW630	HEATING WIRE WITH CERAMIC TUBE
SW631	HEATING WIRE WITH CERAMIC TUBE
SW632	HEATING CIRCLE SCREW
SW634	COVER SCREW
SW635	GROUND WIRE
SW636	THERMAL CUT OFF
SW636-220	THERMOSTAT (220V)



**Safety
Gloves**

Page
113



**Hand
Tools**

Pages
118-119



**Machine
Lubricants**

Pages 120-121



ELECTRIC KNIFE SHARPENERS



The Nirey KE-280 (Compares to MasterGrade Model 280)

Nirey's innovative sharpeners enable you to hone a razor-sharp edge in just a few passes. The KE-280 sharpener has soft sharpening belts, unlike the conventional stone-wheeled units that overheat and grind away the blade, leaving burrs.

While the soft-sharpening belts require a somewhat more delicate touch when sharpening they do a better job than devices with hard wheels and are overall less damaging to the sharpened knives.

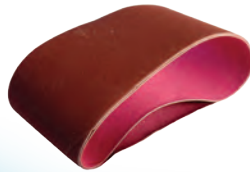
WARRANTY:
6 Months

ALFA #	DESCRIPTION
KE-280	Commercial Knife Sharpener - 110V / Comes with FINE belts / Shipping Weight 5.75 lbs.

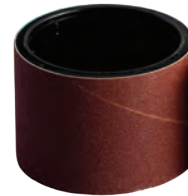
Replacement Belts for the Nirey KE-280

ALFA #	DESCRIPTION
GR-2185A	Belt on Wheel, Coarse
GR-2185B	Belt on Wheel, Medium
GR-2185C	Belt on Wheel, Fine
SC-02A	Belt, Coarse
SC-02B	Belt, Medium
SC-02C	Belt, Fine

These replacement belts ship two to a package and fit models Nirey KE-280, KE-168, Dexter KE-3000 and Mastergrade KE-280.



SC Belts are more economical



GR Belts-On-The-Wheel are easier to replace

**ALFA
NEW FOR
2017**



The DK-298

The DK-298 sharpener has CBN diamond wheels and can sharpen a wide variety of knives (even ceramic knives) and sharpens both sides of the knife at the same time.



ALFA #	DESCRIPTION
DK-298	Household Knife Sharpener, 110V, Ship Weight 5.3 lbs.

WARRANTY:
6 Months

**Ask Us About
BULK PRICING
& Save BIG
Today!**

Manual Equipment & Tools

NEW!!	SAUSAGE STUFFERS	108
NEW!!	NSF-APPROVED MANUAL TOOLS	109
	CHEESE CUTTERS	110
	CHEESE CUTTER PARTS	111
	S/S HAND MEAT SAWS	111
NEW!!	MANUAL KNIFE SHARPENERS	112
	SAFETY GLOVES	113
	HAMBURGER PATTY MAKERS	114-115
	FRENCH FRY CUTTER / POTATO WEDGER	115
	COMMERCIAL CAN OPENERS & PARTS	116
	MANDOLIN VEGETABLE SLICER	116
	SAFESLICER	117
	LID-OFF PAIL & BUCKET OPENER	117
	GRILL AND GRIDDLE SCRAPER	117
	HAND TOOLS	118-119
	FOOD MACHINE LUBRICANTS	120-121
NEW!!	MANUAL GREASE GUNS	120
	S/S HAND MEAT GRINDERS	84

Visit us online at www.alfaco.com



**NEW FOR
2017**



TRE SPADE SAUSAGE STUFFERS



Tre Spade's distinctive 3 crossed swords first appeared in 1894 and to this day the Tre Spade brand is renowned for functionality, precision and reliability. Forged gears guarantee problem-free performance.

- Stainless Steel Cylinder, Rack, Base & Sides
- Double Piston Speed for Faster Filling
- Easy Disassembly and Clean-Up (hand-wash only)
- Includes 4 stuffing tubes (3/8", 3/4", 1 1/8" and 1 1/2")



ALFA #	CAPACITY	SHIPPING WT.	UNIT DIMENSIONS
TS5SSV	10 lbs.	30 lbs.	9.75"L x 11.5"W x 23"H
TS7SSV	15 lbs.	40 lbs.	12.75"L x 10.5"W x 26.5"H
TS10SSV	20 lbs.	45 lbs.	10.5"L x 12.75"W x 31.5"H
TS15SSV	30 lbs.	85 lbs.	14.5"L x 13.5"W x 32.75"H

**WARRANTY:
1 Year Parts**



DICK



These heavy-duty manual machines are the finest sausage stuffers sold today, bar none. Pick the FDSS 24 for high volume processing; the FDSS (at right) is a great machine for home or light commercial use.

- Stainless Steel Gear Box, Cylinder, Base & Support Rods
- Air-tight rubber seals & and a patented air valve ensure ease of operation
- Easy Disassembly and Clean-Up (hand-wash only).
- Includes 4 stuffing tubes (sizes 3/8", 1/2", 3/4" and 1")



ALFA #	CAPACITY	SHIPPING WT.	UNIT DIMENSIONS
FDSS 12	12 lbs.	31 lbs.	10"L x 10"W X 15"
FDSS 18	18 lbs.	52 lbs.	10.25"L x 15.75"W x 25"H
FDSS 24	24 lbs.	55 lbs.	10.25"L x 15.75"W x 28.4"H
FDSS 30	30 lbs.	58 lbs.	10.25"L x 15.75"W x 32.2"H

**WARRANTY:
6 Months**

SAUSAGE STUFFERS ALFA ECONOMY SAUSAGE STUFFERS

These economical stainless steel sausage stuffers are ideal for home use. All major components are made of durable stainless steel and these models are equipped with 2-speed operation.

Comes complete with set of 4 stainless steel stuffing tubes (1/2", 3/4", 1-1/4", 1-1/2"). Made in China.



**ALFA
Exclusive**

**ROHS
Compliant**

**WARRANTY:
3 Months**

ALFA #	CAPACITY	SHIPPING WEIGHT	UNIT DIMENSIONS
SS5V	5 lbs.	23 lbs.	8-3/4" L x 11-3/4" W x 20-3/4" H
SS10V	10 lbs.	26 lbs.	10-1/2" L x 11-3/4" W x 25-1/2" H
SS15V	15 lbs.	45 lbs.	12" L x 12" W x 31" H
SS TUBE SET	4 Pieces with 1/2", 3/4", 1-1/4", 1-1/2" Holes		

NSF -Approved
Manual Tools
NEW FOR 2017



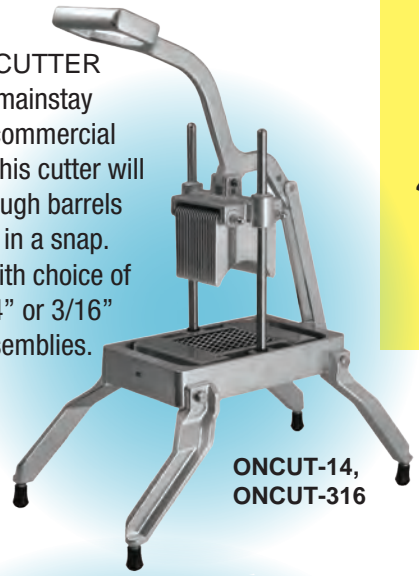
MANUAL DICER
 Effortlessly chop and dice – consistent cut size ensures perfect portion control

DICECUT-14, DICECUT-38



VEGETABLE & FRUIT WEDGER
 This countertop wedger boasts heavy-duty aluminum construction and is tough but light-weight. Choose from 6-section or 8-section wedgers

WEDGCUT-6, WEDGCUT-8



ONION CUTTER
 A sturdy mainstay for your commercial kitchen, this cutter will plow through barrels of onions in a snap. Comes with choice of either 1/4" or 3/16" blade assemblies.

ONCUT-14, ONCUT-316



TOMATO CUTTER This superb cutter has stainless steel replaceable blades and cuts about two dozen tomatoes a minute

TOMCUT-14, TOMCUT-316



LETTUCE CHOPPER
 Sharp, stable scalloped blades cut squares of lettuce (1" or 1.5") without bruising

LETCUT-1, LETCUT-15



FRENCH FRY CUTTER Alfa's new manual french fry cutter provides a great lower-cost option for supermarkets, delis, cheese shops and pizzerias

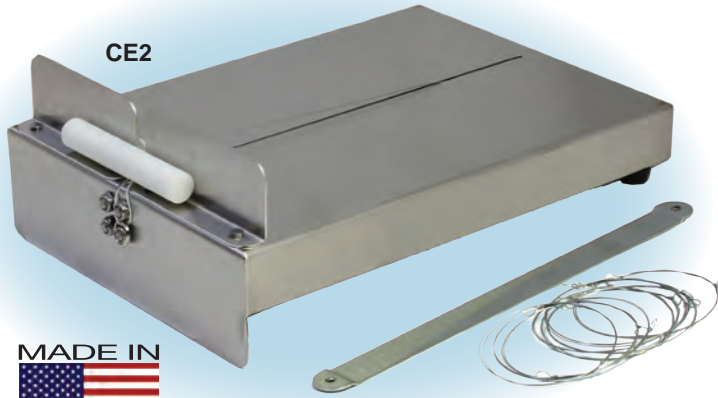
FFCUTTER

WARRANTY: 6 Months

ALFA #	DESCRIPTION	SHIPPING WEIGHT	DIMENSIONS
DICECUT-14	Manual Dicer - 1/4"	10 lbs.	8.25" x 8.25" x 18.25"
DICECUT-38	Manual Dicer - 3/8"	10 lbs.	8.25" x 8.25" x 18.25"
FFCUTTER	French Fry Cutter	12 lbs.	17" x 8" x 11"
LETCUT-1	Lettuce Cutter - 1" Sq.	20 lbs.	18.5" x 12.75" x 23.5"
LETCUT-15	Lettuce Cutter - 1.5" Sq.	20 lbs.	18.5" x 12.75" x 23.5"
ONCUT-14	Onion Cutter w/ 1/4"	21 lbs.	19.75" x 10.5" x 30.5"
ONCUT-316	Onion Cutter w/ 3/16"	21 lbs.	19.75" x 10.5" x 30.5"
TOMCUT-14	Tomato Slicer - 1/4"	11 lbs.	15.5" x 6.5" x 9"
TOMCUT-316	Tomato Slicer - 3/16"	11 lbs.	15.5" x 6.5" x 9"
WEDGCUT-6	Fruit & Vegetable Cutter (6 wedges)	8 lbs.	8" x 8" x 19"
WEDGCUT-8	Fruit & Vegetable Cutter (8 wedges)	8 lbs.	8" x 8" x 19"

CHEESE CUTTERS

Cheese Easy



CE2



The Cheese Easy Cutter is made of heavy duty Stainless Steel designed for cheese shops, supermarkets, delis and pizzerias. Non-slip rubber feet provide stability. The replacement Stainless Steel cutting wire will handle most sizes and shapes of cheese. A table bracket is included, which can be bolted to the edge of your work counter to prevent the unit from moving during operation. Comes with 3 extra wheels and 10 extra wires.

**Need PARTS for your Cheese-Easy Cheese Cutter?
See the next page for Replacement Parts!**

**WARRANTY:
6 Months**

- **Rugged** – Heavy duty Stainless Steel for professional use.
- **Safe** – No sharp blade to worry about. Uses a thin Stainless Steel wire to cut.
- **Sanitary** – Easy-to-clean Stainless Steel finish allows hot water immersion or steam cleaning.
- **Sturdy** – Comes with Steel Mounting Bracket.

ALFA #	MODEL	DIMENSIONS	WEIGHT
CE1	Blockbuster	20" L x 12" W	9 lbs.
CE2	Standard	14" L x 10" W	7 lbs.

REPLACEMENT WIRES

ALFA #	REPLACEMENT FOR	DIMENSIONS
CE1W	CE1	33" Long
CE2W	CE2	24" Long



CHEESECUT

NSF -Approved CHEESECUT

Alfa's new manual cheese slicer provides a great lower-cost option for supermarkets, delis, cheese shops and pizzerias. Stainless Steel makes cleaning simple.

ALFA #	DESCRIPTION	SHIPPING WEIGHT	DIMENSIONS
CHEESECUT	Manual Cheese Cutter	8 lbs.	13" x 7.5" x 7.5"

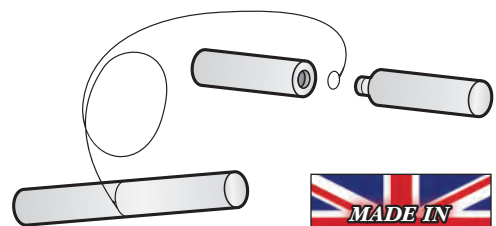
WARRANTY: 6 Months

HANDEE® CHEESE CUTTER

**WARRANTY:
6 Months**

ALFA #	DESCRIPTION	WIRE SIZE	WEIGHT
HC4	Handee® Cheese Cutter with two grey plastic handles and two 36" (90 cm) stainless steel wires	36"	3.0 oz.
HC3	(Pkg. of 12) 24" (60 cm) stainless steel replacement wires for HC4	24"	1.1 oz.
HC5	(Pkg. of 12) 36" (90 cm) stainless steel wires (for cutting whole cheeses)	36"	1.3 oz.

Use the 90 cm (36") wires for large cheese wheels and 60 cm (24") for smaller sizes. Both wires fit the plastic handles.



HC4





Cheese Easy PARTS

MANUAL EQUIPMENT



CE1 FEET



CE2 FEET



CE1/CE2 KEYRING



CE1/CE2 AXLE

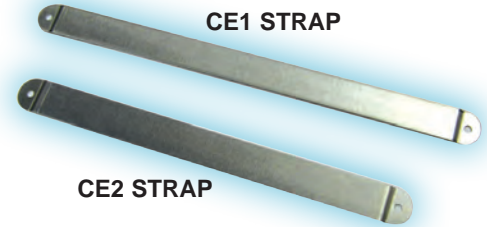


CE1/CE2 HANDLE



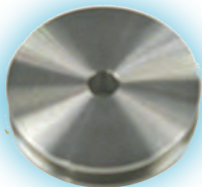
CE1 SPRING

CE2 SPRING



CE1 STRAP

CE2 STRAP



S/S PULLEY



PLASTIC PULLEY

ALFA #	DESCRIPTION	CE1	CE2
CE1/CE2 AXLE	Axle for Cheese Cutters	X	X
CE1/C2 HANDLE	Handle for Cheese Cutters	X	X
CE1/CE2 KEYRING	Keyring for Cheese Cutters	X	X
PLASTIC PULLEY	Plastic Pulley for Cheese Cutters	X	X
S/S PULLEY	Stainless Steel Pulley for Cheese Cutters	X	X
CE1 FEET	Set of 6 Feet	X	
CE2 FEET	Set of 4 Feet		X
CE1 STRAP	Mounting Bracket / Hold Down Strap	X	
CE2 STRAP	Mounting Bracket / Hold Down Strap		X
CE1 SPRING*	Spring for Cheese Cutter	X	
CE2 SPRING*	Spring for Cheese Cutter		X

*We recommend that both springs on the Cheese Cutters be changed at the same time.



STAINLESS STEEL HAND MEAT SAWS

These sturdy hand saws are great for any size butcher operation. All three sizes have durable molded black plastic handles – and both the frame and the blades are Stainless Steel!

HAND MEAT SAWS

ALFA #	BLADE SIZE
HMSS-19	19"
HMSS-24	24"
HMSS-25	25"

REPLACEMENT SAW BLADES (HARDENED TOOTH)
Replacement Blades are 1/2" wide with 10 teeth per inch for smooth cuts. These blades come with pins at both ends for easy installation.

ALFA #	BLADE SIZE*
HSB-19	19"
HSB-21	21"
HSB-23	23"
HSB-24	24"
HSB-25	25"
HSB-26	26"
HSB-27	27"

*Measurements are pin-to-pin

ALFA
NEW FOR
2017

3-WAY MANUAL KNIFE SHARPENER



MADE IN

U. S. A.

This classic Made-in-the-USA sharpener is a DIY essential, made from natural materials and synthetic Novaculite stone.

Made in the USA, this kit comes complete with three sharpening stones (coarse, medium and fine), honing oil and a handy knife angle guide set at 12 and 24 degrees for perfect sharpening.

ALFA #	DESCRIPTION	SHIP WEIGHT
MOS-8	8" 3-Way Sharpener	5 lbs.
MOS-11	11" 3-Way Sharpener	8 lbs.

SHARP-EASY MANUAL KNIFE SHARPENERS



SHARPEASY

These innovative sharpeners can be bench-mounted or held manually (in either the right or left-hand). The grips and body are made of a super-tough polypropylene plastic and the sharpening bars are stainless steel.

The Sharp-Easy maintains a stable sharpening groove at the perfect angle. The pre-tensioned sharpening bars are easily removed and replaced without tools. Easy disassembly also means that the entire unit can be washed and sterilized in a regular maintenance schedule.

NEW FOR 2017



ALFA #	DESCRIPTION
SHARPEASY BLUE	Manual Sharpener
SHARPEASY RED	Manual Sharpener
SHARPEASY S/S	Manual Sharpener
SHARPEASY YLW	Manual Sharpener

Shipping Weight: 2 lbs.

ELECTRIC KNIFE SHARPENERS



DK-298

NEW FOR 2017

Nirey's KE-280 sharpener is a professional-grade machine that enables you to hone a razor-sharp edge in just a few passes. The DK-298 sharpener has CBN diamond wheels and can sharpen a wide variety of knives (even ceramic knives). For fuller descriptions of these products, see page 106.



KE-280

ALFA #	DESCRIPTION
KE-280	Commercial Knife Sharpener - AC Power (Comes with FINE belts) / Comparable to Mastergrade
SC-02A	Coarse Belt for KE-280, KE-168, Dexter KE-3000, Mastergrade KE-280
SC-02B	Medium Belt for KE-280, KE-168, Dexter KE-3000, Mastergrade KE-280
SC-02C	Fine Belt for KE-280, KE-168, Dexter KE-3000, Mastergrade KE-280
GR-2185A	Replacement wheel with Coarse Belt for KE-280, KE-168, Dexter KE-3000, Mastergrade KE-280
GR-2185B	Replacement wheel with Medium Belt for KE-280, KE-168, Dexter KE-3000, Mastergrade KE-280
GR-2185C	Replacement wheel with Fine Belt for KE-280, KE-168, Dexter KE-3000, Mastergrade KE-280
DK-298	Household Knife Sharpener - AC Power / Shipping Weight 5.4 lbs.



MADE IN

 U. S. A.

ALFA SAFETY GLOVES

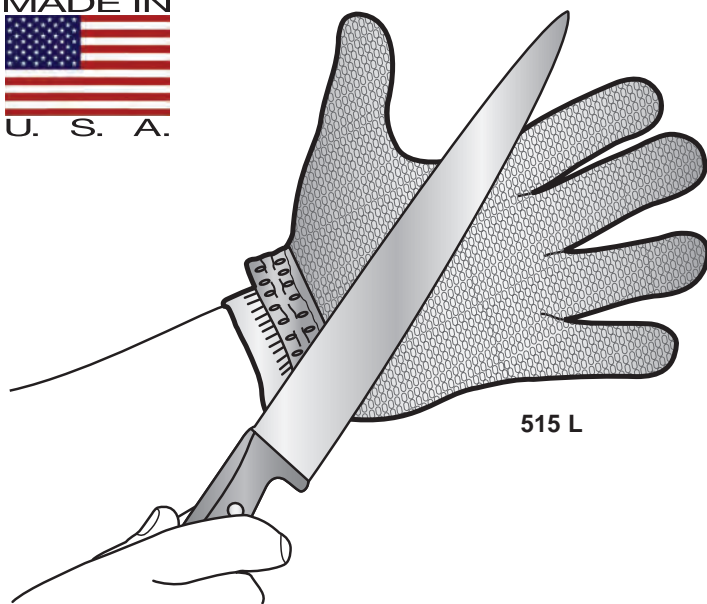
Take the danger out of repairing and cleaning slicers. These gloves are composed of a unique component called Spectra, combined with stainless steel and polyethylene. The resulting gloves are cut-resistant that are warm and comfortable to wear. Sold as single gloves which are ambidextrous to fit either hand.

ALFA #	SIZE	CUFF COLOR
3020	X-Small	Red
3021	Small (5,6,7)	Orange
3023	Medium (8,9)	Yellow
3025	Large (10,11)	Blue
3068	X-Large (12,13)	Green

ANSI Rated Level 5

MADE IN

 U. S. A.



ALFA STAINLESS STEEL MESH SAFETY GLOVES

- *Ambidextrous Design (One Glove Fits Either Hand)*
- *Welded Stainless Steel Rings*
- *Strong, Durable and Flexible*
- *Maximum Cut Protection*
- *USDA Accepted*
- *Easily Cleaned*
- *Adjustable Wristband Snap Fastener*
- *Tensile strength: 125,000 PSF*

ALFA #	SIZE	COLOR CODE
515 XS	Xtra Small	Grey
515 S	Small (5,6,7)	White
515 M	Medium (8,9)	Red
515 L	Large (10,11)	Dark Blue
515 XL	X-Large (12,13)	Green
515 XXL	XX-Large	Brown

FIND THE RIGHT-SIZED GLOVE FOR YOUR HANDS



Place the left side of either hand against the far left hash mark and take the measurement across the palm at the knuckles.

**ALFA
EXCLUSIVE**



PM-1

Made in
Taiwan



Dimensions: 12.25"L X 7.6"W X 5.5"H.
Unit comes with two molds

BEEF PATTY MAKER

Alfa's PM-1 Beef Patty Maker is an excellent choice for medium volume, cost-conscious food service operations. It offers the performance and durability of many much more expensive units. Features include:

- Heavy duty cast aluminum construction
- Baked enamel finish
- Comes complete with 6 plastic liners and 2 patty molds
- Holds up to 100 sheets of 2 hole drilled 5-1/4" x 5-1/4" wax paper (not included)
- Green mold makes patties ranging from 3.2-4 oz.
- **NEW** Silver mold makes patties ranging from 6.4-8 oz.

WARRANTY: 6 Months

ALFA #	DESCRIPTION	WEIGHT
PM-1	Hand Operated Patty Maker, 5-1/2" H x 7-5/8" x 12-1/4" L	6 lbs.
M3	8 oz. (Silver) mold	1 lb.
M-14	Replacement Plastic Liner for PM-1	1 lb
PP-1K*	1000 sheets Patty Paper	2 lbs.
PP-24K*	24000 sheets Patty Paper	37 lbs.

* Patty paper measures 5.25" x 5.25" punched with 2 holes



HAMBURGER PATTY PRESSES



AP4



**WARRANTY:
6 Months**



AP7



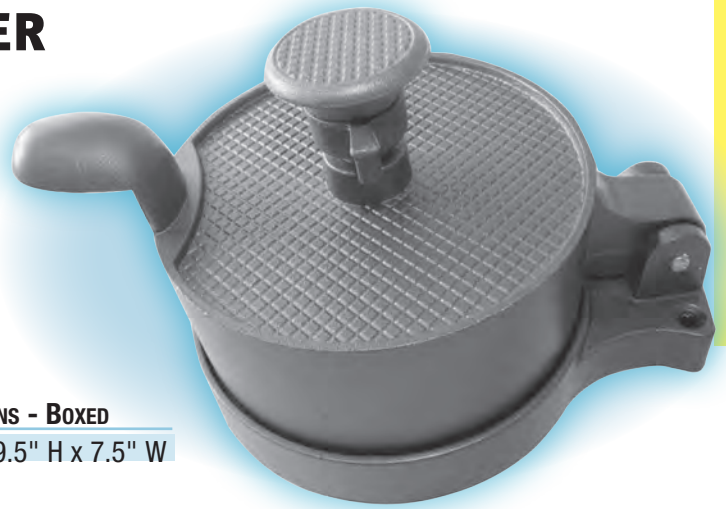
We offer four simple and compact hamburger press models, constructed of anodized aluminum alloy to ensure satisfactory hygiene and durability. Each press features a built-in portion sheet holder, ensuring quick, convenient and efficient operation. Durable rubber feet ensure stability; lubricated gears facilitate smooth and effortless operation. For ease of use, each press has been designed with a patty piston "release button". Certified with CE approval.

ALFA #	DESCRIPTION	NET/ SHIP WEIGHT	DIMENSIONS - BOXED (W x H x L)
AP4	4" Diameter - (Makes 3.5 – 5 oz. patties)	10.4 lbs./11.7 lbs.	11" W x 11-13/16" H x 11-13/16" L
AP5	5" Diameter - (Makes 5 – 8 oz. patties)	10.8 lbs./12 lbs.	11" W x 11-13/16" H x 11.8" L
AP6	6" Diameter - (Makes 10 – 14 oz. patties)	16.5 lbs./19 lbs.	15-3/4" W x 16-7/8" H x 14-1/2" L
AP7	7" Diameter - (Makes 12 – 16 oz. patties)	16.5 lbs./18.7 lbs.	15-3/4" W x 16-7/8" H x 14-1/2" L

HAMBURGER PATTY MAKER

This value hamburger patty maker will outperform many units costing twice as much. A good choice for low-volume, cost-conscious producers.

- Nonstick Surfaces
- Heavy Duty Construction
- Makes 4-3/8" Size Patties
- Patty Thickness 1/4" – 1"



MANUAL EQUIPMENT

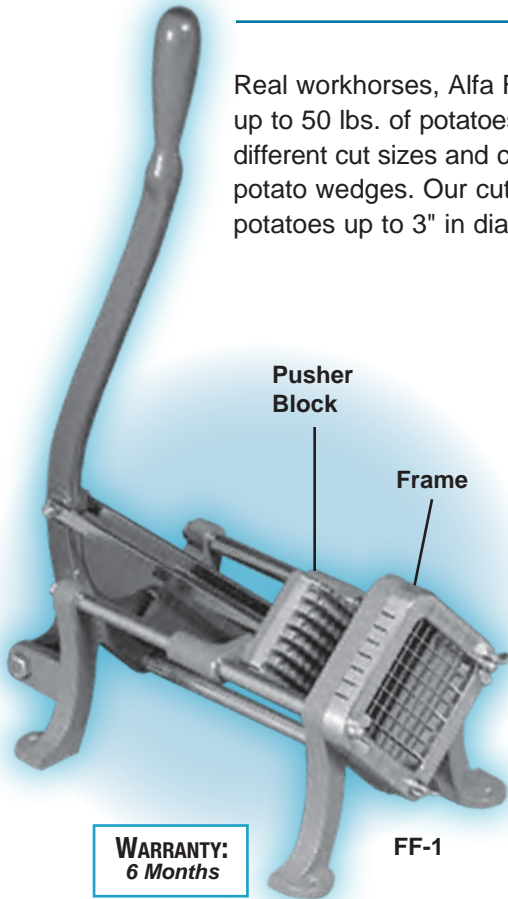
ALFA #	DESCRIPTION	SHIP WT.	DIMENSIONS - BOXED
MPM5	Hamburger Patty Maker	3 lbs.	15" L x 9.5" H x 7.5" W

ALFA FRENCH FRY CUTTERS

Real workhorses, Alfa French Fry Cutters cut up to 50 lbs. of potatoes an hour in any of 3 different cut sizes and convert easily to make potato wedges. Our cutters accommodate potatoes up to 3" in diameter and 5" long!

Features include:

- Heavy duty aluminum frame with steel base
- Stainless steel tray and blades
- Durable metal alloy handle
- Mounts to table or wall



ALFA #	DESCRIPTION	WEIGHT
FF1	Manual French Fry Cutter - 3/8" (French Fry Size)	12 lbs.
FF2	Manual French Fry Cutter - 1/4" (Shoestring)	12 lbs.
FF3	Manual French Fry Cutter - 1/2" (Steak Fries)	12 lbs.
FF1 FRAME	Replacement Blade Frame Assembly - 3/8" Cut	—
FF2 FRAME	Replacement Blade Frame Assembly - 1/4" Cut	—
FF3 FRAME	Replacement Blade Frame Assembly - 1/2" Cut	—
FF1 PB	Replacement Pusher Block - 3/8"	—
FF2 PB	Replacement Pusher Block - 1/4"	—
FF3 PB	Replacement Pusher Block - 1/2"	—
WEDGER FRAME	8 Piece Potato Wedger Blade (Fits All Models)	—
WEDGER BLOCK	8 Piece Potato Wedger Pusher (Fits All Models)	—
FF-01	Replacement Handle	—
FF-02	Bolt - 3/8" x 6" for Fry Cutter Handle	—
FF-09	Pusher Plate Support	—
FF-11	Bracket with Screws for FF-09 Pusher Plate	—
FF-12	Screw - 5/16" x 1" for Fry Cutter Handle	—
FF-14	Nut - 3/8" for Fry Cutter Handle Bolt	—
FF-ROD	Slide Rod for French Fry Cutter (2 Required)	—

ALL-IN-ONE FRENCH FRY CUTTER

Get Three French Fry Cutters for the Price of One! Alfa's new FF4 includes cutting frames for **3 sizes: 3/8", 1/4" and 1/2" !**

- Extra Long Handle makes Mass Production Less Tiring
- Heavy-Duty Cast Iron Body with Stainless Steel Elements
- Suction-cup Feet Adhere to any Flat, Clean Surface – or Mount Permanently!
- Quickly Disassembles for Easy Clean-Up

ALFA #	DESCRIPTION	WEIGHT
FF4	Manual French Fry Cutter	12 lbs.



Stainless Steel Can Opener

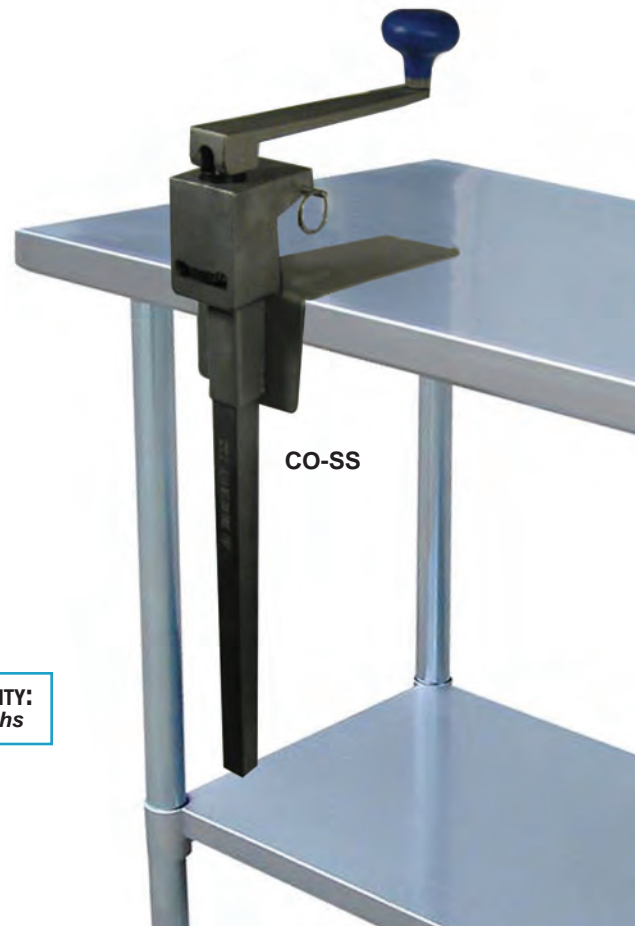
An Affordable, High-Quality Alternative to Higher-Priced Stainless Steel Can Openers

- All stainless steel
- Completely sanitary
- Easily disassembled
- Dishwasher safe
- No tools needed to replace drive gear or knife

Comes complete with Base, Holder, 17" Slide Bar, Screws & Lubricant.



WARRANTY:
6 Months



ALFA #	DESCRIPTION	WEIGHT
CO-SS	S/S Can Opener with 17" Slide Bar	17 lbs.

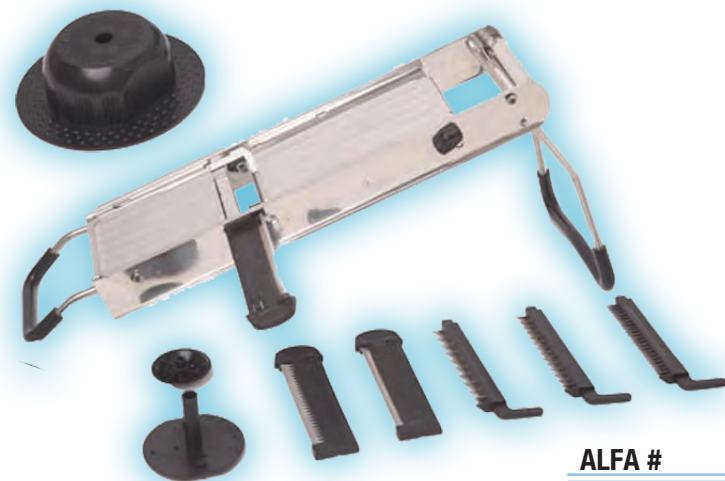
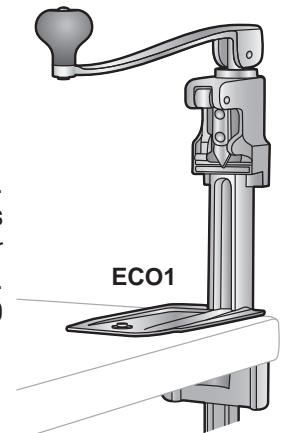
Edlund CAN OPENER & PARTS



ALFA #	EDLUND #	DESCRIPTION
ECO1	#1	Can Opener with 11" Slide Bar
1EKN	K004SP	Knife (Reversible)
1EARB	A025	Arbor
1EBP	A930SP	Base Holder with Screws
1EGR	G003SP	Gear
1EBUS	B119-3	Bushing
1ESP	S150-3	Spring
1EW	W036	Washer

The standard in food service operations. Made of tough plated steel, the ECO1 has an 11" slide bar (accepts 17" slide bar as well) and opens most sizes of cans. Ideal for operations opening up to 50 cans per day.

WARRANTY: 6 Months



MANDOLINE VEGETABLE SLICER

Our Mandoline Slicer folds for easy storage and is manufactured of stainless steel. Equipped with a safety guard, this handy device can slice, shred and make waffle and julienne cuts. Included are 5 interchangeable cutting blades (sizes for the julienne blades are 4.5mm, 7mm & 10mm).

ALFA #	DESCRIPTION	WEIGHT	SHIPPING DIMENSIONS
MAND01	Vegetable Slicer	4 lbs.	16.25" L x 5.75" W x 3.5" H



The

HAND TOOLS

SAFESLICER®

MANUAL EQUIPMENT

Cutting edge technology in food preparation!



The first device to make cutting a watermelon as easy as slicing an apple!

WARRANTY: 6 Months

A revolutionary tool for safer and more productive food preparation, the SafeSlicer has the potential to significantly reduce workers compensation claims due to accidents caused by clumsy or reckless use of a knife.

- Made in the USA of 16-gauge steel, the SafeSlicer tower is strong and durable
- High-quality, NSF-approved stainless steel knife is from Lamson & Goodnow
- Adjusts to any size product
- Easy disassembly
- Safe to wash in commercial dishwashers

The fulcrum in the Safeslicer tower allows you to cut in a safer, more powerful manner. Great for hard fruits, gourds and vegetables and also large wheels of cheese.

ALFA #	BLADE LENGTH	SHIP WEIGHT	BOXED DIMS
SAFESLICER	12"	9 lbs	14" x 6" x 28"

LID-OFF® LID REMOVER

No more broken fingernails! LID-OFF is the best tool to open plastic pails in a safe and easy way. No dangerous lock cutting is needed with LID-OFF. Pails with uncut lids can be resealed again and again to prevent spoilage.

ALFA #	MATERIAL	COLOR
LIDOFF	Plastic	White

WARRANTY: 6 Months

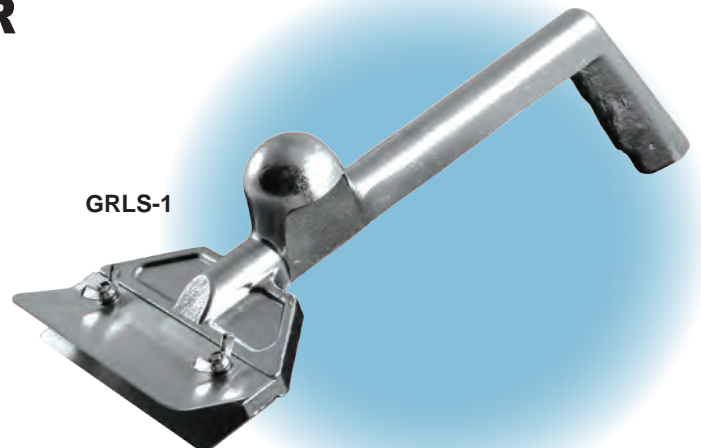


LID-OFF

GRILL AND GRIDDLE SCRAPER

Bacon, eggs, hash browns in the morning, burgers at lunch, and steaks in the evening – by the end of the day restaurant grills and griddles are caked with grease, fat and burned-on gunk. Alfa's Scraper won't make cleaning that grill a pleasure but it will make the going easier. Our worker just pushes forward at the handle and grabs the front knob to guide his way. The scraper comes with one blade.

ALFA #	DIMENSIONS	SHIP WEIGHT
GRLS-1	16"L x 6"W	3 Lbs.
GRLS-B (Replacement Blade)		



GRLS-1

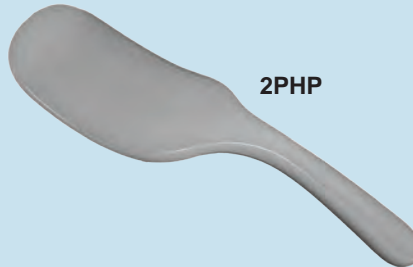
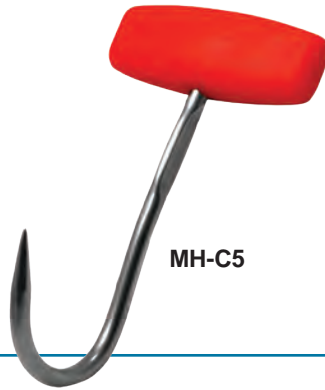
HAND TOOLS

Boning Hook — **ALFA NEW FOR 2017**

ALFA'S #MH-C5 boning hook allows the user to safely hold large cuts of meat during deboning.

- .25" Diameter, 5" Stainless Steel Hook
- Bright Orange Poly Handle with Center Hook
- Easy to Use & Very Strong

ALFA #	DESCRIPTION	SHIP WGT
MH-C5	Boning Hook	.25 lb.

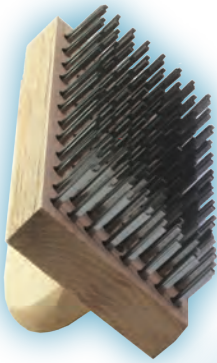


ALFA EXCLUSIVE

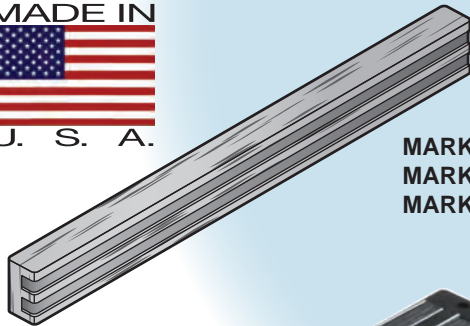
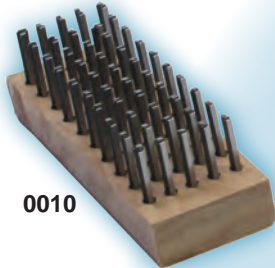
ALFA #	DESCRIPTION
PC4	Pizza Cutter, Stainless Steel Blade, 4" Diameter, 5" White Poly Non-Slip Handle
DS6X3	Dough Scraper, Stainless Steel, 3" x 6" Blade, White Poly Handle
1306-12	Roast Beef Tier and Fish Bait Stringer, S/S 12" Shaft, 1/4" Diameter, Closed Eye, improved Non-Slip Plastic Handle with flat side to prevent rolling. Blister Packed.
FSH-S	Fish Scaler, Stainless Steel, 5" Blade, Non-Clogging Design (12 per case) (China)
066WSS	Metal Bone Dust Scraper (Round), Solid Aluminum Handle, 3-1/2" diameter, Stainless Steel Blade
077BSS	Metal Bone Dust Scraper (Square), Solid Aluminum Handle, 3-1/2" diameter, Stainless Steel Blade
335RD	Polyethylene Bone Dust Scraper (Round), One Piece Construction, Molded Grip Handle
335SQ	Polyethylene Bone Dust Scraper (Square), One Piece Construction, Molded Grip Handle
2PHP	Polyethylene Meat Paddle / Ladle, 3-1/2" x 6-1/2", for Scooping and Flattening Meat Patties
1PL	Plastic Mallet, 3-1/2" x 6-1/2", Excellent for Steak and Fish, Wood Handle with Plastic Head (Made in USA)

HAND TOOLS

0015



0010



MARK 12
MARK 18
MARK 24



VMKH-12
VMKH-24

562
Neoprene Insert only

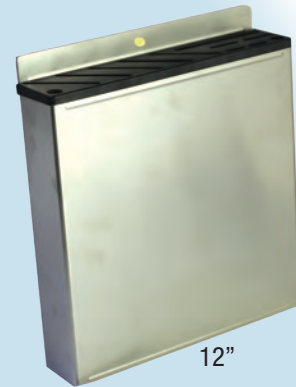


12-1/4"

23-1/2"

561

PS2L



12.5"

KNF RACK SS

12"

KNR



17-1/4"

20-1/8"

ALFA #	DESCRIPTION
0010	Butcher Block Cleaning Brush, 7-3/4" x 2-5/8", Tempered Flat Steel in Hard Wood (USA)
0015	Butcher Block Cleaning Brush, 9-1/4" x 3-3/4", Tempered Flat Steel in Hard Wood, with Handle (USA)
KNF RACK SS	Stainless Steel, Holds 10 Knives and 2 Steels - 12" x 12-1/2" x 2-1/2"
561	Stainless Steel Cutlery Rack, 23-1/2" L x 12-1/4" W, includes Black Neoprene Insert (USA)
562	Replacement Neoprene Insert for #561 Rack (USA)
KNR	ABS Plastic Cutlery Rack, Holds 12 Knives, 1 Cleaver, 1 Round Steel (with Screws)
MARK 12	Magnabar, 12" Heavy Duty Magnetic Bar on Wood Base, Holds Knives, Steels, (with Screws) (USA)
MARK 18	Magnabar, 18" Heavy Duty Magnetic Bar on Wood Base, Holds Knives, Steels, (with Screws) (USA)
MARK 24	Magnabar, 24" Heavy Duty Magnetic Bar on Wood Base, Holds Knives, Steels, (with Screws) (USA)
PS2L	Plastic Knife Holster, Holds up to 12" Long Knives
VMKH-12	Value Magnetic Knife Rack, Black Plastic Base, 12"
VMKH-24	Value Magnetic Knife Rack, Black Plastic Base, 24"

Recommended for all Food Machines and Equipment. Grease is opaque white and oil is colorless. Both withstand high temperatures while maintaining high viscosity and water resistance. Each is oxidation stable and USDA approved.



WHEN ONLY THE BEST WILL DO SUPER LUBE® OIL

Super Lube® Oil, with PTFE, is a premium water proof synthetic oil with suspended PTFE particles that bond to surfaces adding lubricity to moving parts. The Super Lube® Oiler is ideal for the precise lubrication of parts and may be used as a general purpose lubricant for industrial machinery & equipment.



LO-51010



LO-GAL

LG-SC



ALFA #	OIL DESCRIPTION	PACKING
LO-51010	1/4 Oz. Precision Oiler	1
LO-2	4 Oz. Plastic Bottle	6
LO-PT	Pint Bottle, Plastic	1
LO-QT	32 Oz. Plastic Bottle (12 to a case)	6
LO-GAL	1 Gallon Plastic Bottle	4
LO-SC	Silicone Lubricant Aerosol - 11 Oz. (Shipped via ground only)	1
LGEAR-QT	1 Quart Plastic Bottle	1

SUPER LUBE® GREASE

Super Lube® Grease is a synthetic NLGI grade 2, heavy duty, multi-purpose lubricant compatible to most lubricants. Super Lube® Grease outlasts conventional greases by 50-100% and has excellent adhesion. It is listed as a USDA food grade lubricant, rated H1 for incidental food contact. Operating over a broad temperature range (-45° F to +450° F), it will not run, drip, dry out, melt or separate and does not evaporate or form gummy deposits.



LC-21010



LO-SC



LG-14

ALFA #	GREASE DESCRIPTION	PACKING
LG-21010	1/2 Oz. Tube	1
LG-03	3 Oz. Cartridge	12
LG-14	14 Oz. Cartridge	12
LG-SC	11 Oz. Spray / Multipurpose Synthetic Lubricant Grease with PTFE	1

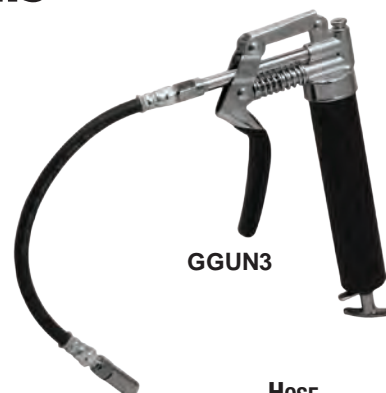
ALFA NEW FOR 2017 Manual Grease Guns

If you've got a lot of food machines with lots of hard-to-reach places that need lubrication, ALFA's new manual pistol-grip Grease Guns are just what you need.

- Maximum operating pressure 6000 psi
- For use with 14 oz. grease cartridges
- Tether capable



GGUN14



GGUN3

ALFA #	DESCRIPTION	SHIP WGT	HOSE LENGTH
GGUN3	Grease Gun 3 oz. capacity	4 LBS	12"
GGUN14	Grease Gun 14 oz. capacity	5 LBS	18"

Note: All items on this page except LGEAR-QT and GGUN14 are approved as Kosher.

FOOD MACHINE LUBRICANTS

GEAR OIL FOR CLASSIC HOBART MIXERS



ALFA #	HOBART OEM #	DESCRIPTION	SHIP WEIGHT
LOG-1G	N/A	140-wt. Transmission Gear Oil for Hobart Mixers (Gallon)	6 lbs.

Lubri-Film Plus

Extended Wear Lubricating Grease, 1 oz. and 4 oz. Tubes

Haynes Lubri-Film Plus is a heavy duty sanitary lubricant with extended performance & low friction properties. This lubricant is NSF approved & rated H1 for use in food processing plants for incidental food contact. All ingredients are FDA approved.

Haynes Lubri-Film Plus is designed for longer lubrication intervals, eliminating downtime to relubricate equipment. This lubricant wears evenly on all moving parts, preventing metal to metal equipment damage. The **Haynes Lubri-Film Plus** will not dry or gum on equipment and is highly resistant to separation or bleed. It is a time saver because it cleans off equipment easily.



ALFA #	GREASE DESCRIPTION	PACKING
LG-01	1 Oz. Tube	1
LG-04	4 Oz. Tube	1

NLGI: 1
Color: None
Odor: None
Texture: Smooth

HAYNES

Common Applications

- Pumps
- Meat Slicing Equipment
- Cheese Processing Equipment
- Dispensing Units
- Bearings
- Packings
- Valves
- Mixers
- Vegetable Slicers
- Batch Freezers
- Soft Serve Machines
- Shake Machines
- Frozen Drink Machines
- Cappuccino Machines
- Yogurt Machines
- Pasta Machines
- Dispensing Units
- Beverage Equipment
- Hospital Beds

Haynes Lubricating Spray

U.S.P.* Light Duty Sanitary Oil (9 oz. Aerosol Spray Can)

Haynes Spray is a light duty sanitary oil lubricant for all sanitary machine parts. This lubricant is NSF approved (rated H1) for use in food processing plants for incidental food contact. All ingredients are FDA approved.

Haynes Spray. The U.S.P.* Light Duty Sanitary Spray can be used as an oil lubricant for food processing equipment. This sanitary oil can be used safely on drawer slides, doors, hinges, wheels, carts, or anywhere a light duty oil is needed in and around the food processing area. Haynes Spray contains no animal or vegetable fats and is absolutely neutral. It will not turn rancid, contaminate or taint food products. It is odorless, tasteless, colorless and non-toxic.

* Meets United States Pharmaceutical Standards

ALFA #	OIL DESCRIPTION	PACKING
LO-HS	9 Oz. Spray Can	1 (Shipped via ground only)



Common Applications

- Sanitary valve stems
- Homogenizer Pistons & Rings
- Positive Pump Parts
- Wheels (carts, chairs, equipment)
- Hinges (doors, windows, gates)
- Internal Machinery Parts
- Anti-Rust Film
- Filling Machines

ALFA International 2017-2018 Catalog

Featured Product

FAMA IMPORTED HARD CHEESE GRATERS

Fama, the manufacturer of Alfa's best-selling line of hard cheese graters, specializes in rugged commercial units designed for large-scale production. Hopper Opening is 3.25" x 5.5."

- **Operation Handle Lock Safety On-Off Release**
- **Direct, Gear-Driven Motor** Lasts longer, more powerful - it's just better than belt-driven motors
- **Safety Grate on Bottom Opening**
- **Stainless Steel Bowl and Grater Drum**
Sanitary operation, easy clean-up
- **Heavy Anodized Aluminum Construction**



Warranty:
6 Months

See page 87.

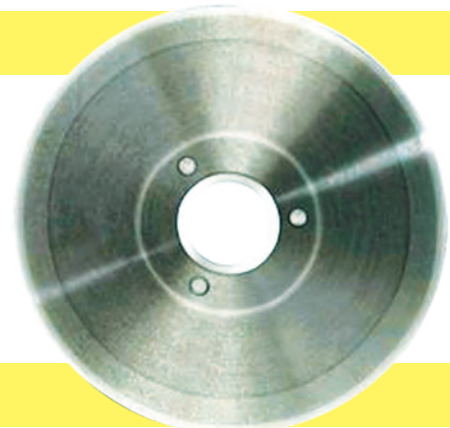


ALFA #	DESCRIPTION	WEIGHT	BOX DIMENSIONS	OUTPUT
FAMA-1	1 HP Cheese Grater	40 Lbs.	16" x 12" x 16-1/2"	130 - 150 lbs./hr.
FAMA-1.5	1.5 HP Cheese Grater	50 Lbs.	16" x 12" x 16-1/2"	150 - 170 lbs./hr.
FAMA-1/2	.5 HP Cheese Grater (Domestic)	16 Lbs.	10.5" x 11.5" x 12"	90 - 100 lbs./hr.

Featured Product

A SLICER KNIFE ESPECIALLY FOR CUTTING CHEESE

See page 35 for information about our special G13 HC CHEESE non-stick slicer blade designed for BIZERBA meat slicer machines. Makes slicing cheese easier and faster!



Featured Product



Handee Manual Cheese-Cutter

Made in England, this unit has all stainless steel welded construction and is simple, dependable and easy-to-clean. Used by a number of leading supermarkets in the UK.

ALFA #	DESCRIPTION
AHCCS	Handee Manual S/S Cheese Cutter

Shipping Dimensions: 16" W x 12" L x 6" D
Shipping Weight: 6 lbs. • Warranty: 6 Months

**Ask Us About
BULK PRICING
& Save BIG
Today!**

Bandsaws

BANDSAWS

	<i>BANDSAW TIPS</i>	124
	<i>BANDSAW BLADES</i>	125
	<i>BANDSAW MFR. REFERENCE GUIDE</i>	126
NEW!!	<i>PARTS FOR HOBART BANDSAWS</i>	127-132
NEW!!	<i>PARTS FOR BIRO BANDSAWS</i>	133-137
	<i>PARTS FOR BUTCHER BOY BANDSAWS</i>	137-138
	<i>S/S HAND MEAT SAWS</i>	111

Visit us online at www.alfaco.com

BANDSAW TIPS

General Advice for BandSaw Operators

Use the proper blade for the job. Our 4-teeth-per-inch blades are best for all-around cutting. Some of the newer, more powerful, high-speed saws perform best with 3-teeth-per-inch blades.

Keep the saw properly aligned so that the guides and blade scrapers are correctly positioned and do not hit the blade teeth.

Adjust the blade tension so that it always tracks straight. Check the backup bearing for wear and replace when necessary.

It's important to keep the saw wheels and scrapers in good condition by cleaning them frequently.

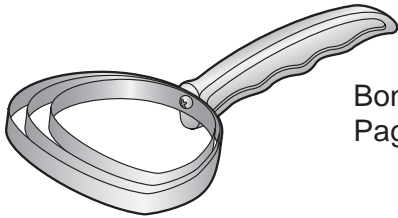
Never try to force the meat or other product into the blade or it may twist and break. Let the blade cut straight without a lot of pressure.

Have a certified technician check your saw guides, fiber support block, blade cleaners and bearings frequently. These wear items are inexpensive to replace but they are critical for peak performance and if they fail the results could be expensive.

Always wear metal mesh safety gloves (see p. 113) and safety goggles when operating a bandsaw.

Other Items of Interest to the Sawyers' Community

Manual Tools



Bone Dust Scrapers
Page 118

Machine Lubricants



Page
120-121

Safety Gloves



Fabric and
Stainless Steel
Mesh Page 113



Stainless Steel Hand Meatsaws

Page 111

ALFA EXCLUSIVE

BANDSAW BLADES

from **ALFA INTERNATIONAL**

Excellent All-Purpose Blades at Economical Prices!

NOW WITH HARDENED-TEETH BLADES, TRUE-TEMPERED FOR LONGER LIFE

BANDSAWS

Alfa's bandsaw blades, the highest quality on the market today, redefine the cutting edge.

- Premium quality **hardened steel** for sharp edges and **long life**.
- **Consistent tooth** profile for optimally sized curvature and spacing provides smooth cuts, producing a more saleable product. Ideal for fast cutting.
- Welds are **fully guaranteed against breakage**. Computer-controlled welds are extremely strong, uniform, smooth and nearly invisible.
- **Individually wrapped** in moisture resistant paper & imprinted with length.
- **Tested at each step** of the manufacturing process to ensure uniform strength and consistency.

Scalloped and Stainless Steel Bandsaw Blades also available by Special Order

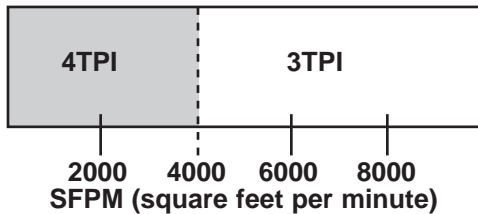
ALFA #	TEETH PER INCH	SIZE	USE
420-(length)	4	.022" x 5/8"	General Use - Fresh Meat
320-(length)	3	.022" x 5/8"	General Use - Fresh Meat

For example: #420-069 is our part number for a blade 69" long.

Lengths of Available ALFA Stock Sizes (All sizes are in Inches)

63 69 71 72 74 78 79 82 87 91 96 98 102 106 108 110 112 116 118 122 124 126 128 135 142

Note: Additional Sizes & Styles (heavy-duty and scalloped) along with Coil Stock available via Special Orders. Please call for details.



- If your blade speed is less than 4000 sfpm (1220 smpm) or the blade is up to 101" long, a 4TPI band is recommended.
- If your blade speed is greater than 4000 sfpm (1220 smpm) or the blade is 108" or longer, a 3TPI band is recommended.
- Packed in bundles of four each.

Blade Profile
4 Teeth Per Inch

Blade Specifications:
Height - 5/8"
Thickness - .022"
4 Teeth per inch

Blade Profile
3 Teeth Per Inch

Blade Specifications:
Height - 5/8"
Thickness - .022"
3 Teeth per inch

Note: Please refer to the cross-reference chart on the following page to determine the proper blade length you need to order.

BAND SAW BLADE CROSS REFERENCE GUIDE

Generally speaking, bandsaw blades 106 inches or shorter take a 4-teeth-per-inch blade, while larger blades take 3-teeth-per-inch. Another rule of thumb is that newer, high-speed bandsaws take 3-teeth-per-inch blades.

MAKE AND MODEL	BLADE LENGTH	BEST TPI	MAKE AND MODEL	BLADE LENGTH	BEST TPI
BERKEL			FLEETWOOD		
V-12, Jim Vaughn	102"	4	B25	91"	4
GB-16, V-16	126"	3	B32, B34, B34AT, SK	98"	4
V-14	114"	3	B40	126"	3
5, Junior	135"	3	MSK	74"	3
BIRO			GLOBE - STIMSON		
A, 11	78"	4	72	66"	4
AA, AA-1, 22	91"	4	79	72"	4
1433	108"	3	111	91"	4
Super BB	112"	3	140	110"	3
33	116"	3	160	122"	3
34	118"	3	HOBART		
3334, 3336	124"	3	5010, 5012, 5012D, 5115, 5212, 5212F	98"	4
44	135"	3	5013, 5213, 5313,	106"	4
4436	166"	3	5014, 5114, 5214, 5413	112"	3
BIZERBA			5414, 5514, 5514HS, 5614	112"	3
FK30, FK31, FK32	96"	4	6614	126"	3
BUTCHER BOY			5016, 5116, 5216, 5216HS	128"	3
B-12, SA-12	98"	4	5700, 5701, 5801, 6801	142"	3
B-14, SA-14, 1435	112"	3	HOLLYMATIC		
B-16, SA-16	126"	3	High Yield 16	126"	3
SA-20	154"	4	KENTMASTER		
			14	112"	3
			TORREY		
			ST-200-AL and PE	79"	4
			ST-295	116"	3
			ST-355	140"	4

Note: Other sizes available by special order.



FOR ALL OF YOUR MEAT-PROCESSING NEEDS

You will notice the many new products we have added to our line which are a direct result of reader feedback. This communication is a vital factor in our continued growth.

- Roger Madigan
President



HMSS-19



022 KN

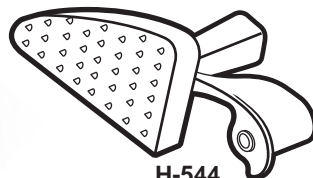
32 1/8 HBLS



MC-12



3021



H-544

Safety Gloves, Grinder Plates & Knives,
Parts for Electric Meat Slicers, Electric &
Manual Meat Grinders, Meat Hand-Saws &
Other Manual Tools

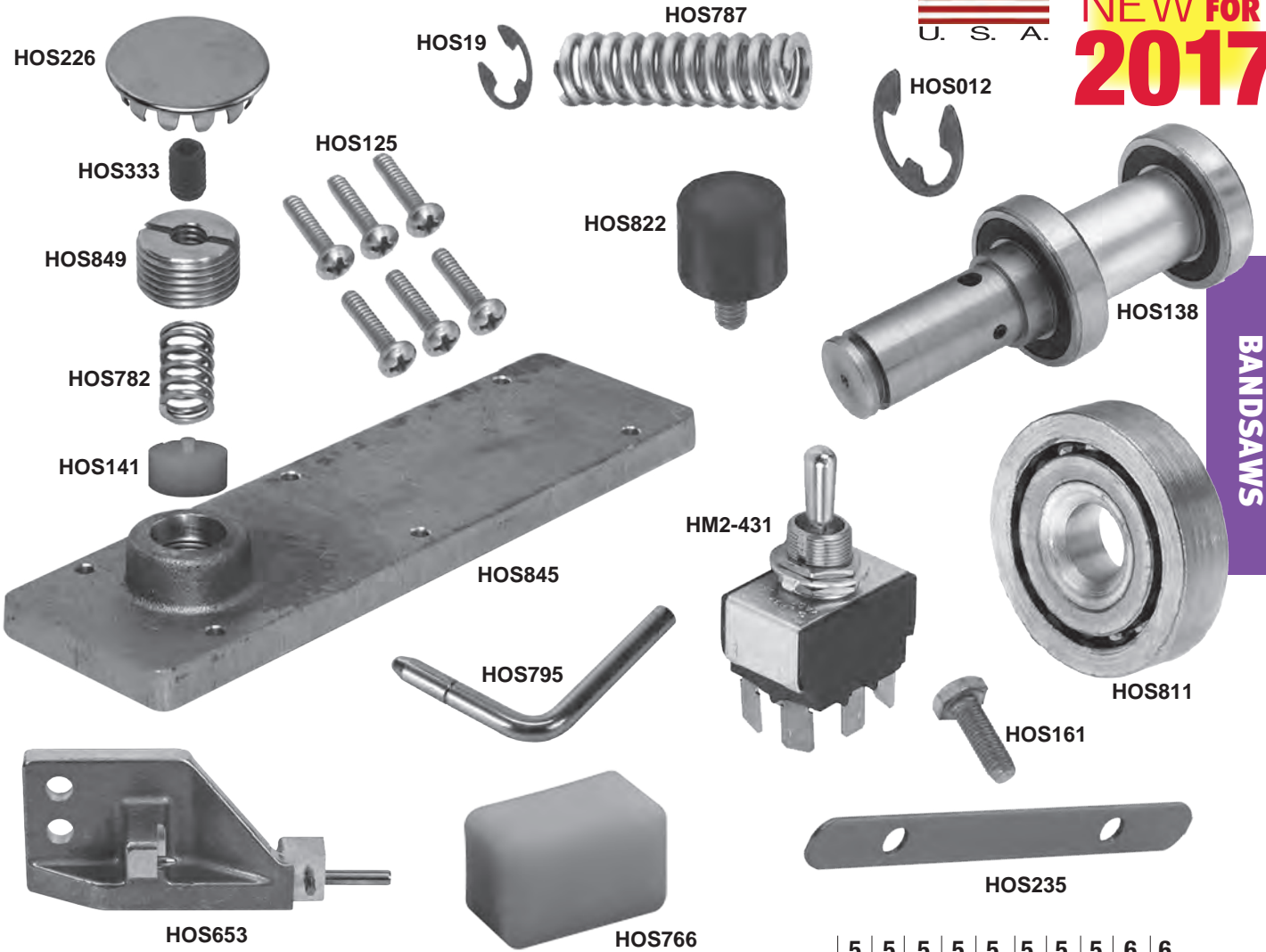


G&B GERMAN
MEATSLICING BLADES

NEW PARTS! FOR HOBART BAND SAWS



ALFA
NEW FOR
2017



BANDSAWS

ALFA #	HOBART #	DESCRIPTION	5212	5214	5216	5514	5614	5700	5701	5801	6614	6801
HM2-431	87711-143-1	Switch	X		X		X	X		X	X	X
HOS012	RR-10-12	Retaining Ring, Carriage Roller						X	X	X		
HOS125	SC-21-25	Screws, Retainer Bar					X	X	X			
HOS138	292275	Upper Shaft and Bearing Assembly					X	X	X			
HOS141	120141	Shoe, Slide Rod					X	X	X			
HOS161	SC-41-61	Stud, Filler and Guide	X	X	X	X	X					
HOS19	RR-11-9	Retaining Ring, Carriage Lock					X	X	X	X	X	X
HOS226	PB-2-26	Plug Button					X	X	X			
HOS235	875235	Guide Cover					X	X	X	X	X	X
HOS333	SC-63-33	Set Screw					X	X	X			
HOS653	291653	Lower Guide & Support Pin					X	X	X	X	X	X
HOS766	479766	Slide Lock									X	X
HOS782	873782	Spring, Slide Rod					X	X	X	X	X	X
HOS787	290787	Spring, Carriage Lock					X	X	X	X		
HOS795	290795	Lever, Carriage Lock					X	X	X	X	X	X
HOS811	BB-8-11	Bearing Table	X	X	X	X	X	X	X	X	X	X
HOS822	18682-2	Table Bumper					X	X	X			
HOS845	290845	Retainer, Guide Bar					X	X	X			
HOS849	290849	Carrier Screw					X	X	X			

The above parts are sold by Alfa International as replacement parts for Hobart Band Saws. Alfa is not affiliated with Hobart.

PARTS FOR HOBART BAND SAWS



ALFA
NEW FOR
2017

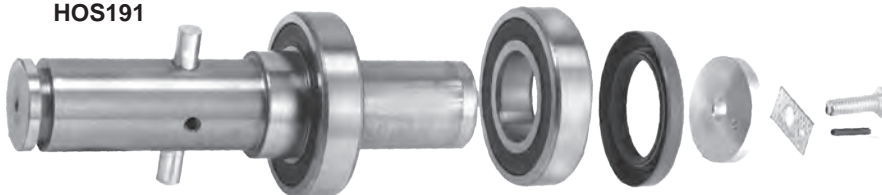
HOS999



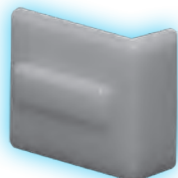
HOS846



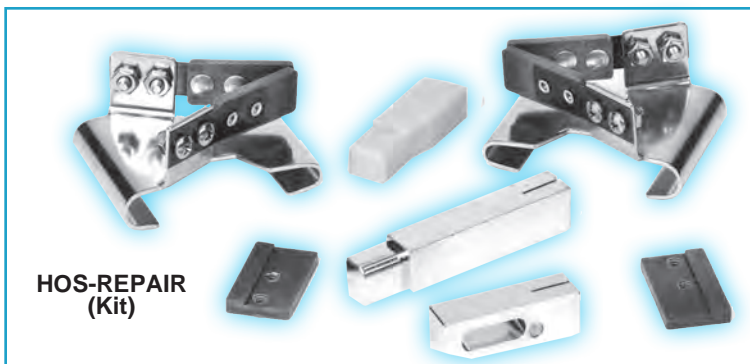
HOS191



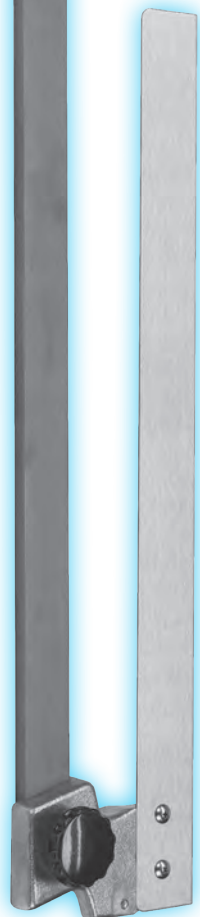
HOS-HARDWARE



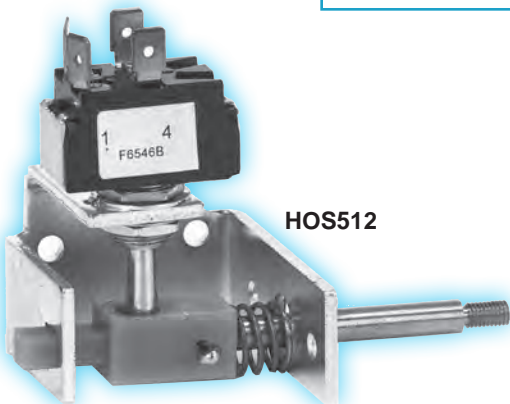
HOS850



HOS-REPAIR
(Kit)



HOS-GUIDE



HOS512



HOS672



HOS59

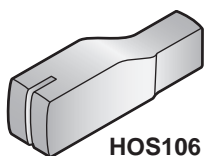


HOS194

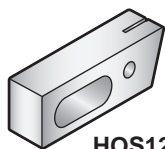
ALFA #	HOBART #	DESCRIPTION	5700	5701	5801	6614	6801
HOS191	N/A	Shaft Assembly, Lower	x	x	x		x
HOS194	70194	Handle, Gauge Plate	x	x	x	x	x
HOS512	291512	Switch and Bracket	x	x	x	x	x
HOS59	PB-5-9	Plug Button (3)				x	x
HOS672	291672-1	Lower Holder and Guide Ass'y			x	x	x
HOS846	290846	Support Base	x	x	x		
HOS850	290850	Insert	x	x	x		
HOS999	ML-104999-Z	Upper Saw Wheel Ass'y (16" dia.)					x
HOS-GUIDE	N/A	Upper Guide Support Ass'y					x
HOS-HARDWARE	N/A	Hardware, Switch & Bracket	x	x	x	x	x
HOS-REPAIR	N/A	Repair Kit, Saw Guides with Plugs			x	x	x

The above parts are sold by Alfa International as replacement parts for Hobart Band Saws. Alfa is not affiliated with Hobart.

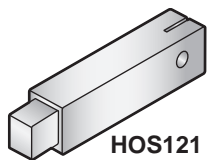
PARTS FOR HOBART BAND SAWS



HOS106



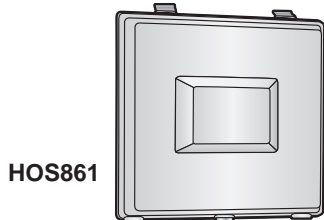
HOS122
HOS125-01



HOS121
HOS124-01



HOS799



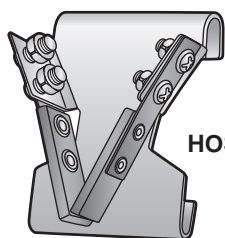
HOS861



HOS113



HOS123



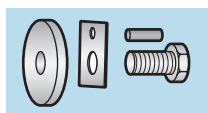
HOS798



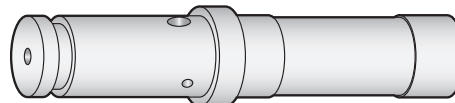
HOS447



HOS131



HOS119



HOS115



HOS273



HOS127



HOS126
HOS658



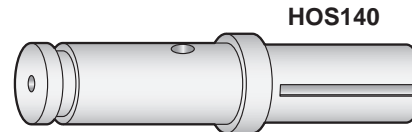
HOS805



HOS806



HOS114



HOS140

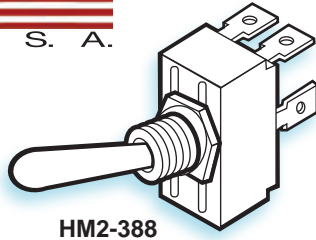
ALFA #	HOBART #	DESCRIPTION	5700	5701	5801	6614	6801
HOS106	291658	Filler Block	X	X	X	X	X
HOS113	B12170	Blade Cleaner		X	X		
HOS114	BB-8-14	Upper and Lower Main Bearing	X	X	X		X
HOS115	290803	Upper Wheel Shaft	X	X	X		
HOS119	N/A	Shaft Hardware Set	X	X	X		
HOS121	291650-1	Lower Guide and Carbide Plug	X				
HOS122	290844-4	Upper Guide and Carbide Plug	X				
HOS123*	123886	Blade Scraper	X				
HOS124-01	291670-1	Lower Guide and Carbide Plug		X	X		
HOS125-01	290844-1	Upper Guide and Carbide Plug		X	X	X	X
HOS126	290863	Saw Wheel (Upper and Lower)	X	X	X		X
HOS127	197713	Wheel Lock Lever	X	X	X		
HOS131*	A291675	Table Tension Stud	X	X	X		
HOS140	292278	Lower Wheel Shaft	X	X	X	X	X
HOS273	292273	Shaft Lock Pin (3/8" x 3")	X	X	X		
HOS447	291447	Lower Cover - Gray Plastic		X	X	X	X
HOS658	109658-Z	Lower Wheel 14"				X	
HOS798	290798	Lower Blade Wiper Assembly	X	X	X	X	X
HOS799	N/A	Fibre Blade Scraper Assembly	X	X	X	X	X
HOS805	B-290805	Grease Seal - Upper and Lower Shaft	X	X	X	X	X
HOS806	290806	Upper Shaft Spacer	X	X	X		
HOS861	290861	Upper Door - Gray Plastic	X	X	X		

*Available while current stock lasts.

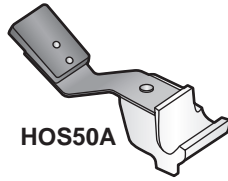
The above parts are sold by Alfa International as replacement parts for Hobart Band Saws. Alfa is not affiliated with Hobart.

BANDSAWS

PARTS FOR HOBART BAND SAWS



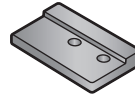
HM2-388



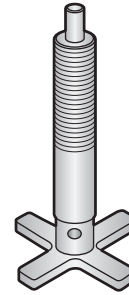
HOS50A



HOS137



HOS112



HOS128A



HOS41
HOS048



HOS102A



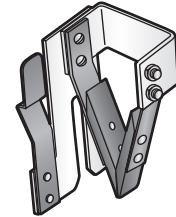
HOS45



HOS93



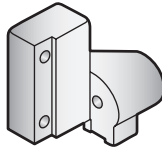
HOS147



HOS55A



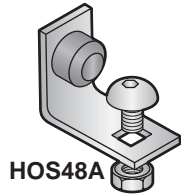
HOS47



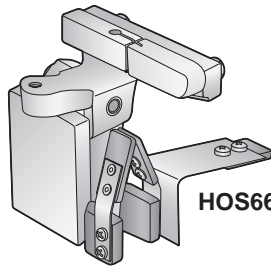
HOS95



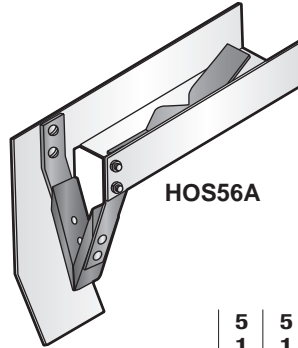
HOS104



HOS48A



HOS660



HOS56A



HOS43

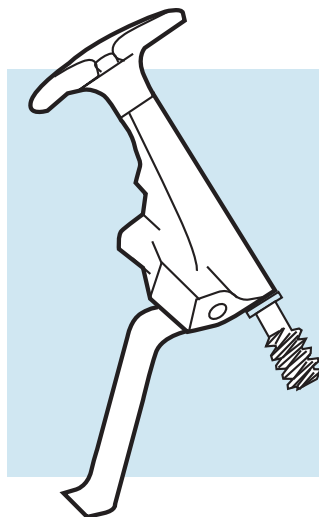
FITS MODELS

ALFA #	HOBART #	DESCRIPTION	514	516	522	524	526	554	556	567	570	571	580	601	604	608
HOS048	134048-Z	Upper Saw Wheel 14"														X
HOS41*	M72364-1	Upper or Lower Saw Wheel					X									
HOS43	M20852	Wheel Lock Lever				X	X	X	X							
HOS45	M681776	Lower Door Spring Clip				X	X	X	X							
HOS47	P-77318	Table Stop Bumper				X	X	X	X							
HOS48A*	P-86049	Table Stop Assembly				X	X	X	X							
HOS50A	B102399	Upper Pulley Wiper Assembly			X	X	X	X	X	X	X	X	X	X	X	X
HOS55A	104786	Rear Wiper Assembly				X	X									
HOS56A	104349	Rear Wiper Assembly						X	X							
HOS93	A102432-2	Upper Guide Knob and Stud				X	X	X	X	X						
HOS95	A103305	Upper Guide Mount				X	X	X	X	X						
HOS102A	B110254	Fibre Blade Scraper Assembly	X		X	X	X	X								
HOS104*	M78833-2	Switch Extension Rod (10-1/2")						X								
HOS112	123886/M71368	Wheel Cleaner	X			X	X	X	X							
HOS128A*	120469-3	Tension Screw Assembly (7-1/2")						X								
HOS137	BB-13-1	Thrust Bearing		X		X	X	X	X							
HOS147	M78940	Switch Knob				X	X	X								
HOS660	121660	Lower Guide & Cleaner Bracket Assy.			X	X	X	X	X							
HM2-388	120388	On/Off Switch														X

*Available while current stock lasts.

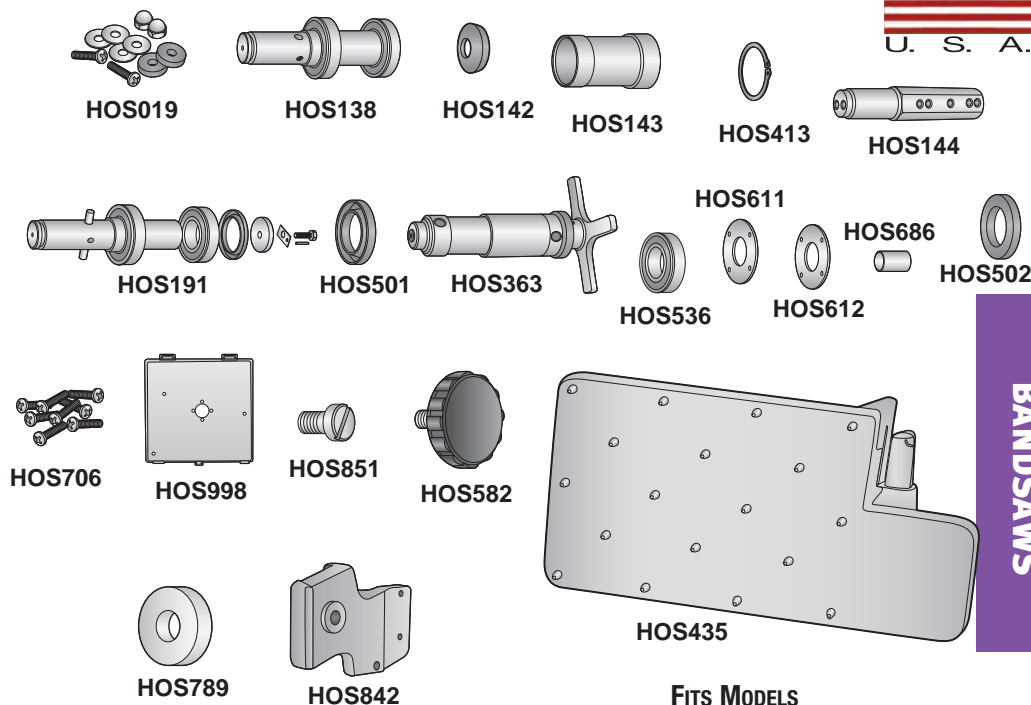
The above parts are sold by Alfa International as replacement parts for Hobart Band Saws. Alfa is not affiliated with Hobart.

PARTS FOR HOBART BAND SAWS



HOS87A Kit

Note: The component parts in this Kit are no longer sold separately.



BANDSAWS

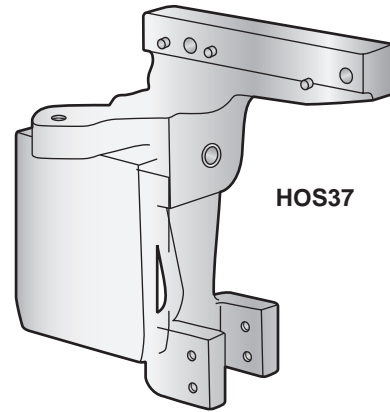
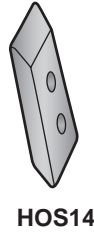
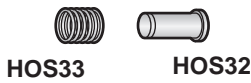
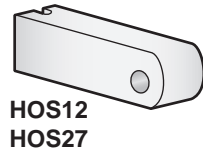
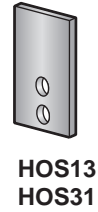
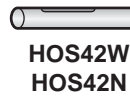
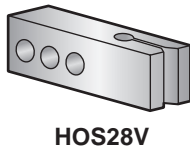
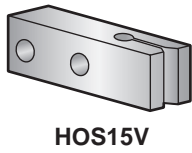
FITS MODELS

ALFA #	HOBART #	DESCRIPTION	5014	5212	5214	5216	5514	5614	5710	5711	5811	6614	6810
HOS87A	P77846	Worm Bracket Assembly Kit Includes All Parts Below Bracket with Bearings, Knob, Bushing, Shaft Spacer, Worm and Shaft with Pin, Gauge Plate Spring, Worm, Groove Pin											
HOS019	N/A	Screw Assembly SS, Upper Cover		X	X	X		X	X				
HOS138	N/A	Upper Shaft and Bearing Assembly						X	X	X			
HOS142*	479142	Upper Wheel Retainer Ring											X
HOS143	479143	Wheel Bushing											X
HOS144*	479144	Upper Wheel Shaft											X
HOS191	N/A	Lower Shaft Assembly						X	X	X			
HOS363	292363	Tension Assembly						X	X	X			
HOS413	RR-4-13	Retaining Ring											X
HOS435	291435	Pusher Plate	X	X	X	X	X	X	X	X	X	X	X
HOS501	873501	Rear Shaft Seal											X
HOS502	873502	Front Shaft Seal											X
HOS536	BB-15-36	Wheel Bearing											X
HOS582	435958-2	Adjusting Knob						X	X	X			X
HOS611*	873461-1	Rear Wheel Cover											X
HOS612*	873461-2	Rear Wheel Cover											X
HOS686*	M79686	Friction Catch											X
HOS706*	SC-067-06	Screw Set, 8 Pcs.											X
HOS789*	290789	Table Roller						X	X	X			
HOS842*	290842	Upper Guide Holder						X	X	X			X
HOS851	M20851	Lock Lever Stud	X			X		X	X	X	X		
HOS998	274998	Upper Baffle Assembly					X				X		

*Available while current stock lasts.

The above parts are sold by Alfa International as replacement parts for Hobart Band Saws. Alfa is not affiliated with Hobart.

PARTS FOR HOBART BAND SAWS



FITS MODELS

ALFA #	HOBART #	DESCRIPTION	5012	5014	5016	5114	5116	5212	5214	5216	5514	5614
HOS12	M71363	Filler Block (Through Hole)	X			X	X	X	X		X	
HOS13*	M71368	Wheel Cleaner-Fibre						X	X			
HOS14	110253	Blade Cleaner	X						X	X	X	X
HOS15V	M71369	Lower Saw Guide				X	X		X			
HOS26V	P-101929	Upper Saw Guide						X	X	X	X	X
HOS27	A102653	Filler Block Blind Hole-Threaded				X		X	X	X	X	X
HOS28V	M71379	Lower Saw Guide-Slot W/V				X			X	X	X	X
HOS29	M86340	Blade Cleaner						X	X	X	X	X
HOS30*	M101934	Wheel Cleaner Spring				X			X	X	X	X
HOS31	M71368	Wheel Cleaner				X		X	X	X	X	X
HOS32	A101924	Carbide Backup Stud						X	X	X	X	X
HOS33	M101926	Backup Spring						X	X	X	X	X
HOS34*	SC-49-22	Back Plug-Nylon						X	X	X	X	X
HOS37*	A-113184	Guide - Lower & Cleaning Bracket				X			X	X	X	
HOS42N	122922	Shaft Lock Pin (5/16" x 2-1/2")	X	X		X		X				
HOS42W	M77813-1	Shaft Lock Pin (3/8" x 2-1/2")			X					X		
HOS49A	101254	Blade Cleaner + Spring Assembly	X						X	X	X	X

*Available while current stock lasts.

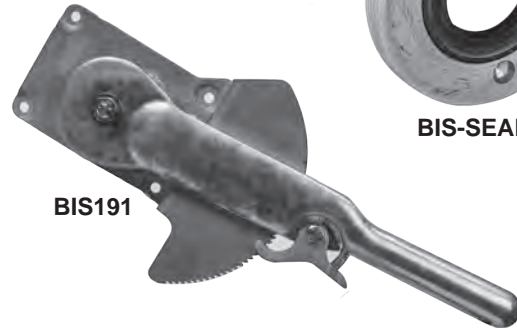
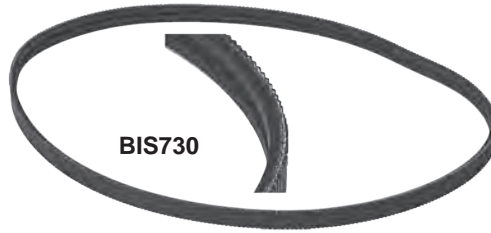
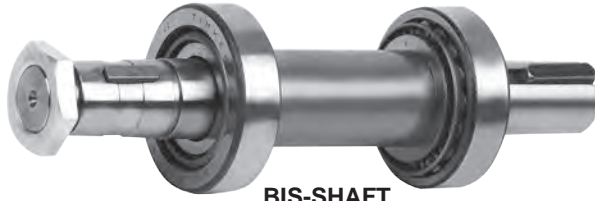
The above parts are sold by Alfa International as replacement parts for Hobart Band Saws. Alfa is not affiliated with Hobart.

PARTS FOR BIRO BANDSAWS

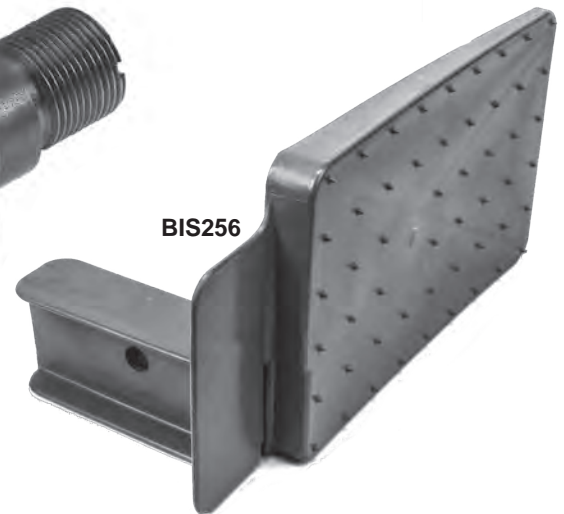
ALFA
NEW FOR
2017



BANDSAWS



NEW PARTS!



ALFA #	BIRO #	DESCRIPTION	FITS MODELS							
			11	22	33	34	44	1433	3334	4436
BIS191	A19-1	Ratchet Arm Ass'y	X	X	X	X		X	X	
BIS247	A16247	Upper Shaft & Bearing Ass'y	X	X	X	X			X	
BIS256	256P	Pusher Plate	X	X	X	X	X	X	X	X
BIS291	211A-291Q	Knob, Finger-Lift Fastener	X	X	X	X	X		X	X
BIS311	311	Bumper, Table					X			X
BIS513	513	Gasket (Hub, Neoprene)	X	X	X	X			X	
BIS632	A116-32	Saw Guide Bar Assy, New Style							X	
BIS730	14730	Double V-Belt	X	X	X	X	X	X	X	X
BIS-SEAL	N/A	Seal and Case Cap Ass'y			X	X			X	
BIS-SHAFT	N/A	Lower Shaft Assembly			X	X			X	

The above parts are sold by Alfa International as replacement parts for Biro Band Saws. Alfa is not affiliated with Biro.

ALFA
NEW FOR
2017

PARTS FOR BIRO BANDSAWS

MADE IN

U. S. A.



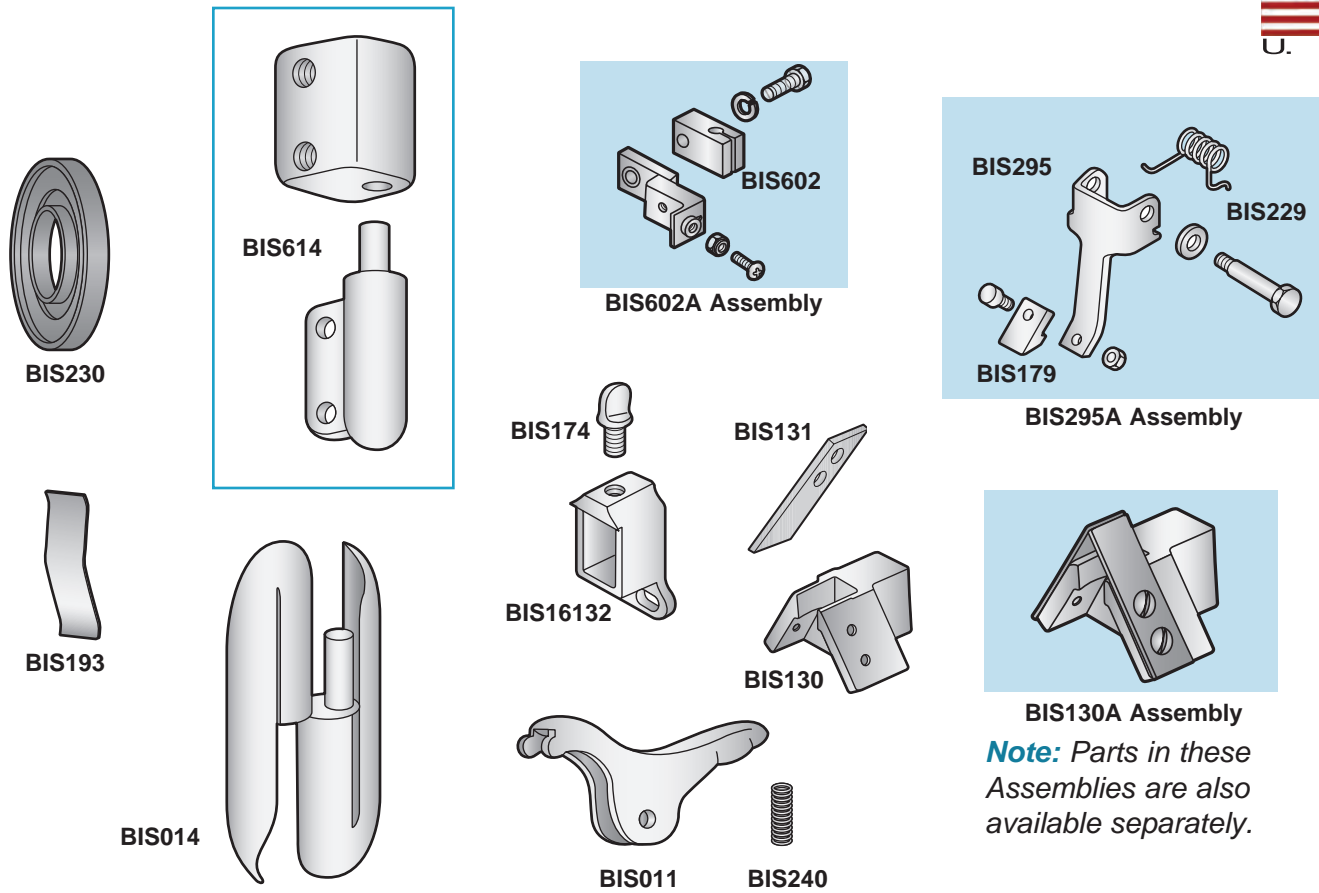
**NEW
PARTS!**



ALFA #	BIRO #	DESCRIPTION	FITS MODELS	
			3334	3334-FH
BIS003	A16003	Saw Wheel Ass'y, Upper	x	
BIS036	16003-6	Saw Wheel, Lower	x	
BIS03U	16003U	Saw Wheel, Upper	x	
BIS335	A160030335-6	Upper Saw Wheel Ass'y, Hinge Plate	x	
BIS356E	160030335-6E	Upper Saw Wheel Ass'y, Fixed Head Hinge Plate		x

The above parts are sold by Alfa International as replacement parts for Biro Band Saws. Alfa is not affiliated with Biro.

PARTS FOR BIRO BAND SAWS



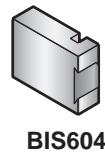
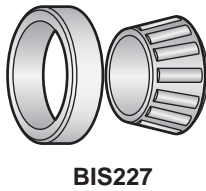
BANDSAWS

Note: Parts in these Assemblies are also available separately.

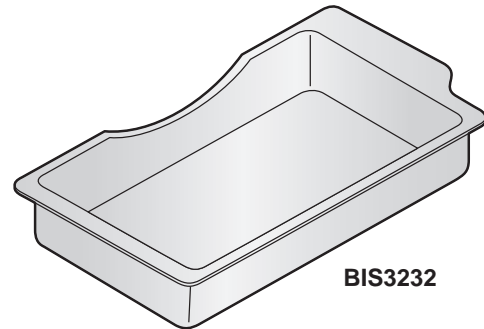
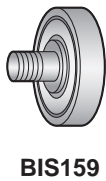
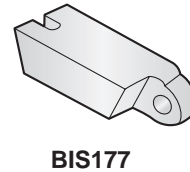
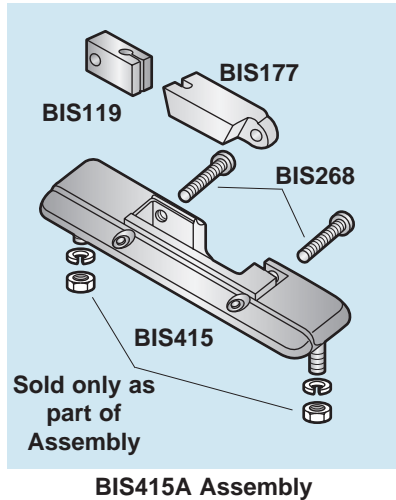
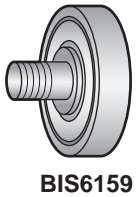
ALFA #	BIRO #	DESCRIPTION	FITS MODELS							
			11	22	33	34	44	1433	3334	4436
BIS011	11	Ratchet Trigger	X	X	X	X	X	X	X	X
BIS014	14	Door Hinge and Bracket	X	X	X	X	X			
BIS130	130	Rear Scraper Holder	X	X	X	X	X		X	X
BIS131	131	Blade Scraper (1 only, 2 included in BIS130A Assembly)	X	X	X	X	X		X	X
BIS130A	A130	Rear Scraper/Cleaner Assembly Includes: 1 BIS130 Holder, 2 BIS131 Steel Scrapers & Screws	X	X	X	X	X		X	X
BIS174	175-2-S	Thumb Screw	X	X	X	X	X		X	
BIS179	179	Wheel Scraper / Cleaner	X	X	X	X	X	X	X	X
BIS193	193	Saw Guide Bar Spring		X	X	X	X		X	
BIS229	S229	Spring	X	X	X	X	X	X	X	X
BIS230	230	Upper Shaft Seal	X	X	X	X		X	X	X
BIS240	240	Trigger Spring	X	X	X	X	X	X	X	X
BIS295	295	Scraper Arm	X	X	X	X	X	X	X	X
BIS295A	A295	Wheel Scraper/Cleaner Assembly Includes: 1 BIS179 Cleaner, 1 BIS295 Arm, 1 BIS229 Spring Assembled with Bolt, Screw, Nut & Washer	X	X	X	X	X	X	X	X
BIS602	602B	Upper Saw Guide and Carbide Block	X	X	X	X	X		X	
BIS602A	A602	Upper Saw Guide and Bracket Assembly Includes: BIS602 Upper Guide, Carbide Block and Bracket with Screws	X	X	X	X	X	X	X	X
BIS614	A16014	Door Hinge and Bracket						X	X	
BIS16132	16132	Cleaner Bracket Holder		X	X	X	X		X	X

The above parts are sold by Alfa International as replacement parts for Biro Band Saws. Alfa is not affiliated with Biro.

PARTS FOR BIRO BAND SAWS



Note: Most Parts below are sold separately or as part of the Assembly

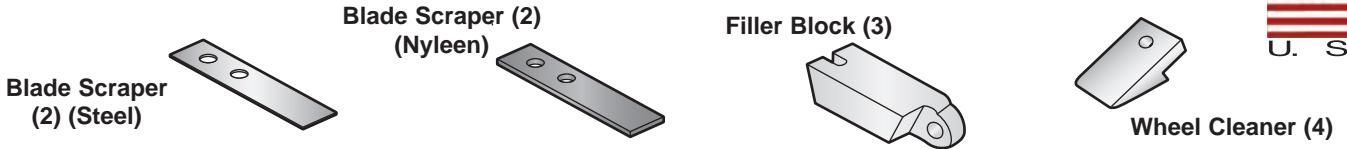


ALFA #	BIRO #	DESCRIPTION	FITS MODELS							
			11	22	33	34	44	1433	3334	4436
BIS159	159	Table Bearing 1-3/16" Diameter	X	X	X					
BIS227	227	Upper Main Bearing	X	X	X	X		X	X	
BIS265	S265	Gauge Spring	X	X	X	X	X	X	X	
BIS363	A363	Lower Main Bearing	X	X	X	X		X	X	
BIS415A	A415/51021	Complete Stationary Bar Assembly Includes:	X	X	X	X	X	X	X	X
BIS119	119	Lower Saw Guide with "V" Front	X	X	X	X	X	X	X	X
BIS177	177	Filler Block	X	X	X	X	X	X	X	X
BIS268	268	Stud for Guide and Filler Block	X	X	X	X	X	X	X	X
BIS415	415D	Stationary Bar	X	X	X	X	X	X	X	X
BIS604	604	Lower Carbide Block	X	X	X					
BIS3232*	33232	Bone Dust Pan-33 New Style 17-1/2" x 10"			X					
BIS6159	16159	Table Bearing 1-7/16"	X	X	X	X	X	X	X	X

*Available while current stock lasts.

The above parts are sold by Alfa International as replacement parts for Biro Band Saws. Alfa is not affiliated with Biro.

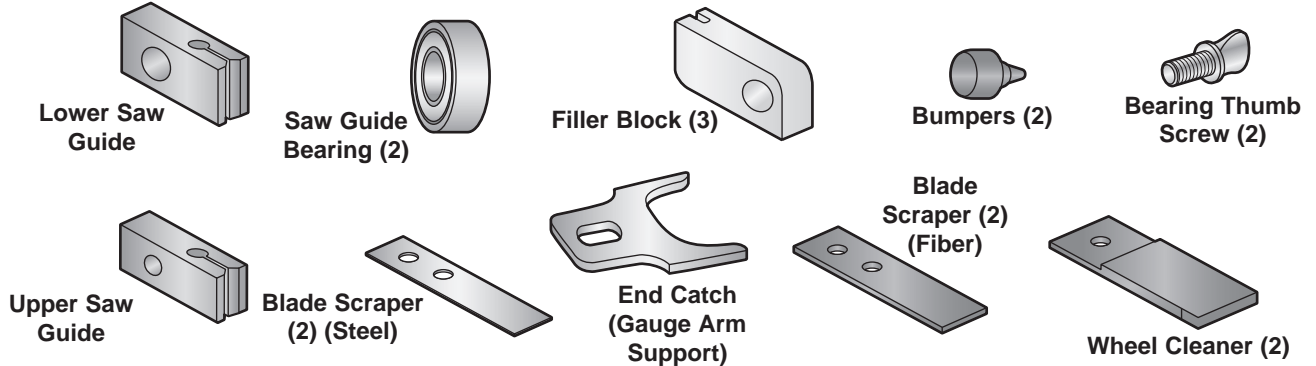
REPAIR KIT FOR BIRO BAND SAWS



ALFA #	DESCRIPTION
BIS-KIT	Repair Kit for all Biro Bandsaws Includes all of the parts pictured above

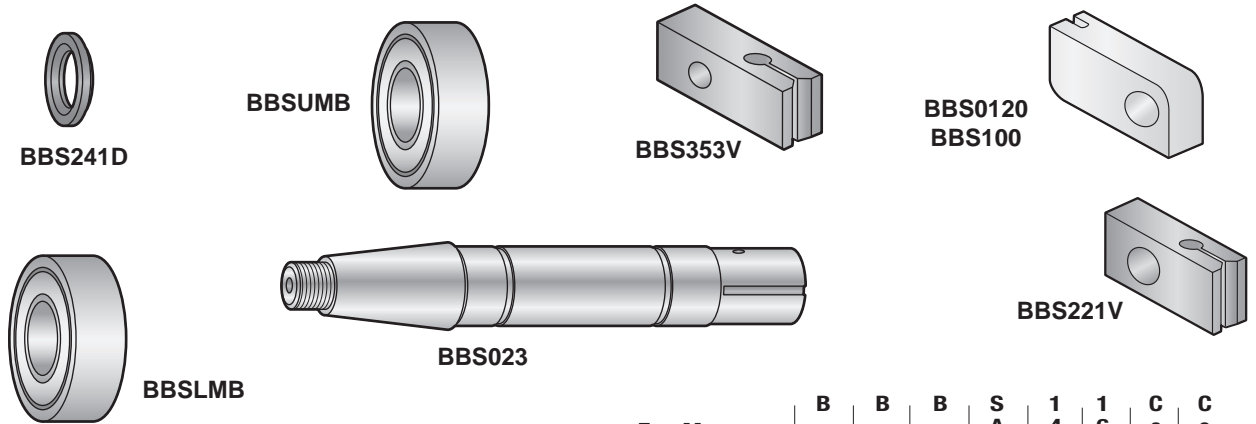
REPAIR KIT FOR BUTCHER BOY BAND SAWS

BANDSAWS



ALFA #	DESCRIPTION
BBS-KIT	Repair Kit for Models B-12, B-14 and B-16 Includes all of the parts pictured above

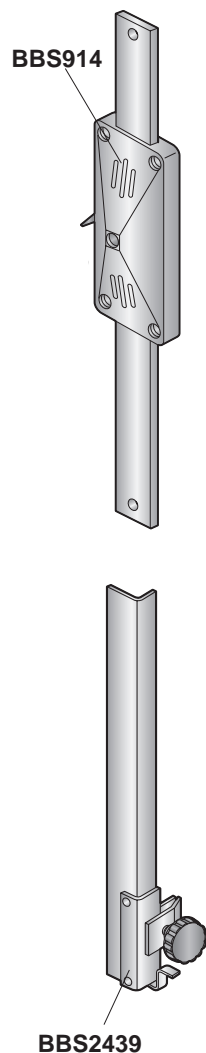
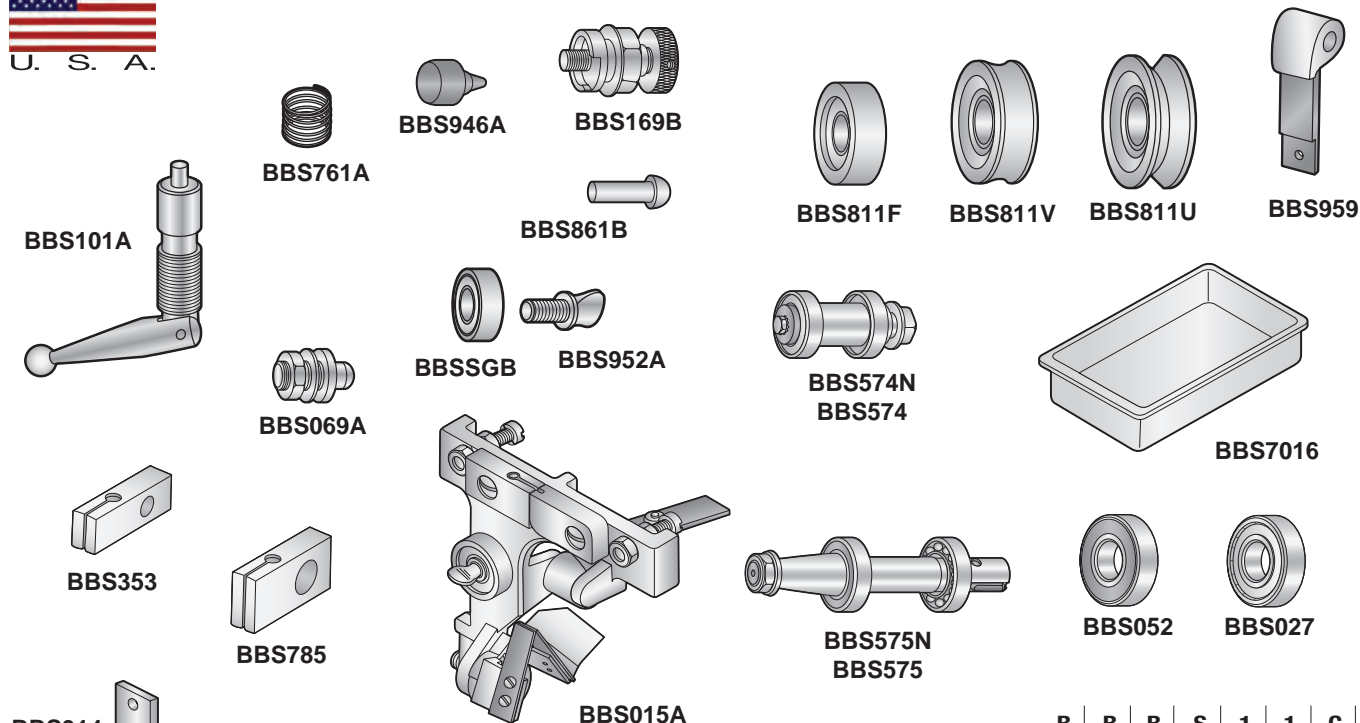
PARTS FOR BUTCHER BOY BAND SAWS



ALFA #	BUTCHER BOY #	DESCRIPTION	FITS MODELS								
			B 1 2	B - 1 4	B - 1 6	S A - 2 0	1 4 3 5	1 6 4 0	C O B R A 1 4	C O B R A 1 6	
BBS0120	(20) 10000	Filler Block - White Nylon	X	X	X	X					
BBS023	(23) 10023	Lower Wheel Shaft	X	X	X	X					
BBS100	(20) 1000	Filler Block - Fiber	X	X	X	X	X	X	X	X	X
BBS221V	(21) 10002	Lower Saw Guide - "V" Front	X	X	X	X					
BBS241D	(41D) 90400	Upper Shaft Seal	X	X	X	X					
BBS353V	(53) 10074	Upper Saw Guide	X	X	X	X					
BBSLMB	(24) 90300	Lower Main Bearing	X	X	X	X					
BBSUMB	(6) 90302	Upper Main Bearing	X	X	X	X					

The above parts are sold by Alfa International as replacement parts for Biro and Butcher Boy Band Saws. Alfa is not affiliated with these firms.

PARTS FOR BUTCHER BOY BAND SAWS



FITS MODELS

ALFA #	BUTCHER BOY #	DESCRIPTION	B - 1 2	B - 1 4	B - 1 6	S A - 2 0	1 4 3 5	1 6 4 0	C O B R A 1 4	C O B R A 1 6
BBS015A	(15A) 10304	Front Scraper Assembly (New Style)	X	X	X	X	X		X	X
BBS027	27	Bearing Saw Guide	X	X	X	X	X	X	X	X
BBS052	52	Bearing Saw Guide W/Neo Seal	X	X	X	X	X	X	X	X
BBS069A*	69A	Rod Liner Pin	X	X	X					
BBS101A	(31J) 10033	Rod and Indicator Assembly					X			X
BBS169B*	(69B) 12335	Rod Mount and Locking Pin	X	X	X					
BBS353	(53VC) 70353	Saw Guide Upper W/Plug	X	X	X	X	X	X	X	X
BBS574	101574	Shaft Assembly, Upper Wheel	X	X	X	X	X	X	X	X
BBS574N	101574	Shaft Assembly (Upper Wheel W/Neo Seals)	X	X	X	X	X	X	X	X
BBS575	10575	Shaft Assembly, Lower Wheel	X	X	X	X	X	X	X	X
BBS575N	(23) 10023	Shaft Assembly (Lower Wheel W/Neo Seals)	X	X	X	X	X	X	X	X
BBS761A*	(61A) 10314	Measuring Arm Spring	X	X	X	X	X		X	X
BBS785	21VC 01 20785	Saw Guide Lower W/Plug	X	X	X	X	X		X	X
BBS811F	(11A) 10065	Table Roller - Flat	X	X	X	X	X	X		
BBS811U	(11H) 10068	Table Roller - "U"	X	X	X	X	X	X		
BBS811V	11V	Table Roller - "V"	X	X	X	X	X	X		
BBS861B*	(61B) 10211	Measuring Arm Pin	X	X	X	X	X		X	X
BBS914*	(39+14A)	Adjusting Bar Guide								
	10366/10717	W/Spring Lock	X	X	X			X		
BBS946A*	(46A) 90612	Bumper	X	X	X	X	X	X		
BBS952A	52A	Bearing Thumb Screw	X	X	X	X	X			
BBS959	(59) 10277	Wheel Scraper Spring	X	X	X	X	X	X	X	X
BBS2439*	(39) 10717	Blade Guard	X	X	X					
BBS7016*	(70) 16069	Bone Dust Pan			X		X		X	
BBSSGB	(27) 90301	Saw Guide Bearing W/Neo Seal	X	X	X	X	X	X	X	X

*Available while current stock lasts.

The above parts are sold by Alfa International as replacement parts for Butcher Boy Machines. Alfa is not affiliated with Butcher Boy.

**Ask Us About
BULK PRICING
& Save BIG
Today!**

Misc. Parts

NEW!!

OLIVER BREADSLICER PARTS	141
BAGEL-SLICER BLADE FOR OLIVER	141
OLIVER BLADE-CHANGING TOOL	141
OLIVER BREADSLICER TIPS	169
JAC BREADSLICER BLADES	142
BERKEL BREADSLICER PARTS	142-143
BERKEL BREADSLICER BLADES	143
PARTS FOR HOBART CUTTER/MIXERS	144-145
PARTS FOR VERTICAL CUTTER/MIXERS	146
ROBOT COUPE BLADES	147
SHREDDER PLATES FOR HOBART FOODPROCESSORS	147
PARTS FOR HICKORY ROTISSERIES	148
PARTS FOR BERKEL TENDERIZERS	149
PARTS FOR HOBART TENDERIZERS	149
PARTS FOR BIRO TENDERIZERS	150
HOLLYMATIC PATTY MAKER PARTS	151-153

NEW!!

MISC. PARTS

Visit us online at www.alfaco.com

And Don't Forget These Essential Supplies:

Value Bowls for Hobart "Classic" Mixers

- Meets all NSF and US Government specifications
- Heavy gauge 304 Stainless Steel (will not discolor product)
- True one piece construction for more durability
- Full support band on 30 quart and larger models
- Thick bottom ring on 60 quart and larger models for support
- Satin finish resists scratches
- OEM Quality

See Page 10

NSF

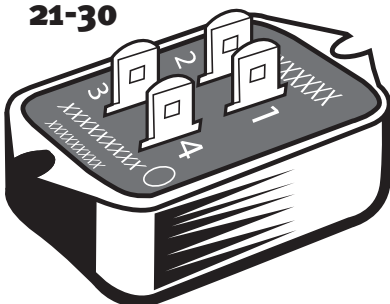
COMPONENT

Dough Hooks and other Accessories for Hobart "Classic" Mixers

See Pages 11-12

Mixer Parts for Hobart "Classic" Mixers

**See Pages
21-30**

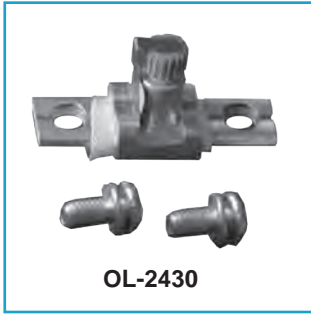


Slicer Parts for Hobart, Berkel, Bizerba and Globe Meatslicers

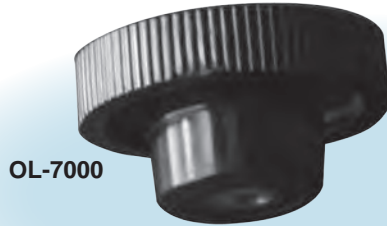
See Pages 37-68



OLIVER OEM BREAD SLICER PARTS



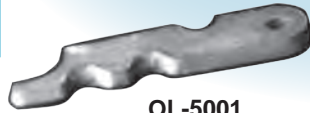
OL-2430



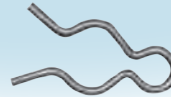
OL-7000



OL-3307K



OL-5001



OL-7705



OL-5102

ALFA PART #	OLIVER PART #	DESCRIPTION	FITS OLIVER MODELS
OBT-006	0797-0183-006	TOOL - BLADE CHANGING (see below)	711, 732, 797, 777 & 709
OL-0002*	0711-0002	LINK-BLADE FRAME (PKG 2)	711, 732, 777 & 797
OL-0298*	0797-0029-8	ARTISAN BLADE SET/32	709, 711, 777, 797
OL-2430	5709-2430	HEATER - OVERLOAD	777, 797
OL-3107*	7012-3107	SPRING - UPPER FOR BLADE FRAME	709, 711, 732, 777 & 797
OL-3307K	5757-3307K	SWITCH - ROCKER - DPST	702
OL-5001	0797-0300-5001	PIN- UPPER FOR BLADE FRAME	709, 711, 732, 777 & 797
OL-5102	7025-5102	SPRING-STD- 4-1/8	777
OL-7000	5911-7000	KNOB - KNURLED BLACK	777, 797
OL-7705	5835-7705	CLIP - HAIR PIN FOR FRAME	711, 732, 777 & 797
OL-8700*	6084-8700	SPRING- CLEVIS MOUNTING	711 & 732
R303	0797-0029-1	SLICER BLADE- STANDARD (see below)	709, 711, 777, 797

* Illustration not available

OLIVER BREAD SLICER BLADES & TOOL



R303 Bread Slicer Blade (OEM)

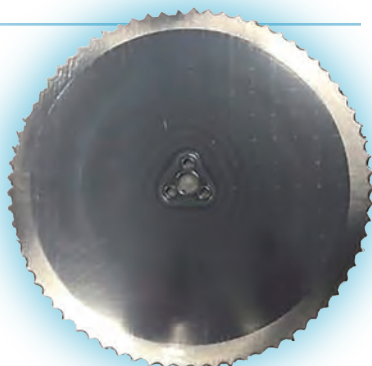


OBT-006

ALFA #	OLIVER #	DESCRIPTION	FITS MODELS
R303	0797-0029-1	Slicer Blade, Length 10-1/4" (pin to pin) Width 3/8" (Set of 32)	26-A, 28-A, 42-A, 709, 711, 727G, 732, 737G, 758-N, 777, 797, 937, TYPE A STD AND NEWER
OL-0298	0797-0029-8	Artisanal Slicer Blades (Set of 32)	Same as Above
OBT-006	0797-0183-006	Blade Changing Tool*	Same as Above

* For instructions on using the Blade-changing tool, see page 169.

ALFA
NEW FOR
2017



BAGEL SLICER BLADE for OLIVER

This superbly-crafted OEM stainless steel slicer blade for the Oliver 702 Bagel Slicer is now available from ALFA.

ALFA #	OLIVER #	DESCRIPTION
OB-7053	N/A	Blade for Oliver 702 Bagel Slicers

Shipping weight: 2.5 lbs., Dimensions: 12" x 12"



MISC. PARTS



JAC BREAD SLICER BLADES



ALFA #	JAC #	DESCRIPTION	FITS MODELS
JAC-10	61100002	Slicer Blade, Length 10-3/4" (pin to pin) Width 4/10" (10mm) (Set of 34)	PICO, PICOMATIC, SELF, SPEED, FULL, MODENA, VENICE, ECOMATIC, CHUTE, FACE, DURO

These parts are offered as replacement parts for Berkel and Jac machines. Alfa is not affiliated with these firms.



PARTS FOR BERKEL MB BREAD SLICERS

BKB-010: Ball Bearing / Berkel Crankshaft

BKB-012: Cam Roller

BKB-032*: Cord (Leads from Switch to Motor)

BKB-056: Kit, Operating Switch

BKB-121: Rubber Bushing

BKB-163: L-shaped Cover, White

BKB-176: Crankshaft Shaft Assembly

BKB-219*: Clamp Switch

BKB-249: Bushing

BKB-346: Dash Pot, Complete

BKB-512: Connecting Rod & Bearing

BKB-595: Extension Spring

BKB-660: Plate (Yoke)

BKB-798: Scrap Pan, White, Complete

BKB-865: Yoke Assembly, Complete

BKB-885: Machine Cover, White

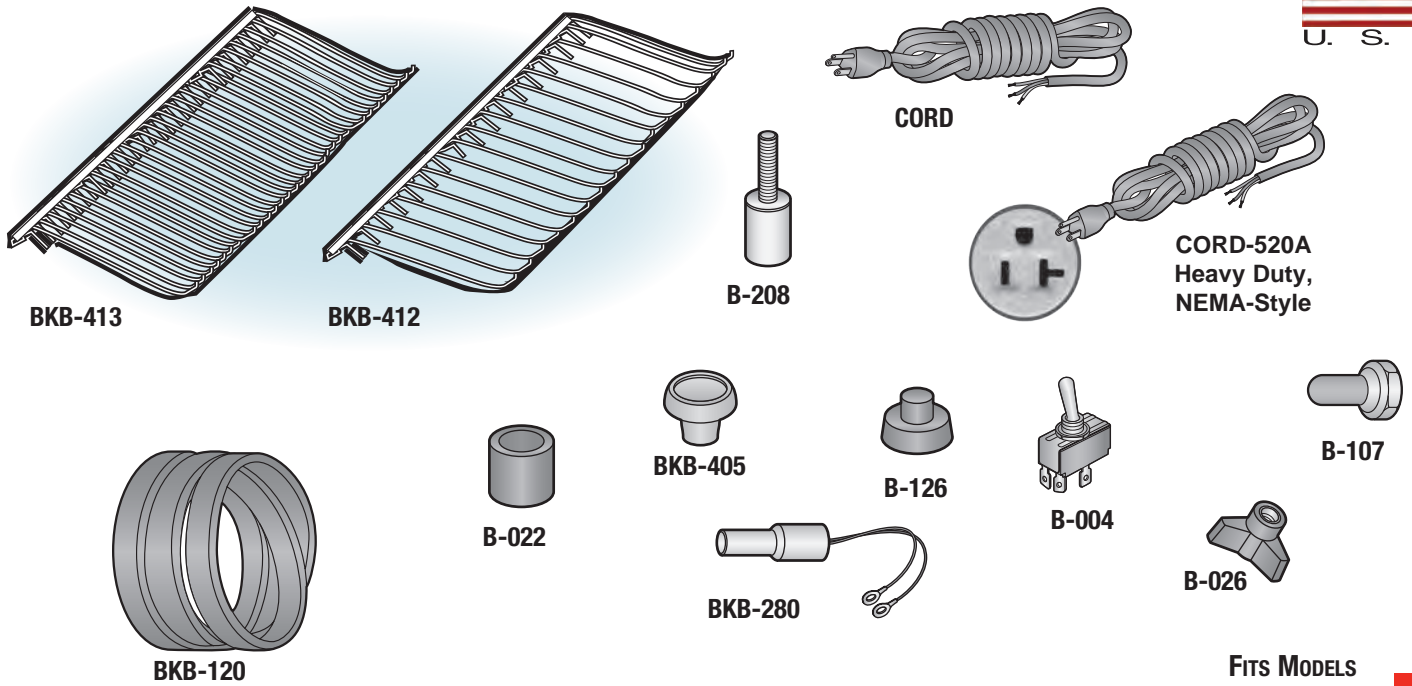
BKB-1156: Motor & Bracket

ALFA #	OEM #	DESCRIPTION
BKB-010	2375-00010	Ball Bearing / Berkel Crankshaft
BKB-012	07322-12	Cam Roller
BKB-032*	4175-00421	Cord (Leads from Switch to Motor)
BKB-056	4875-00056	Kit, Operating Switch
BKB-121	3875-00121	Rubber Bushing
BKB-163	3875-00163	L-shaped Cover, White
BKB-176	4375-00176	Crankshaft Shaft Assembly
BKB-219*	07325-SE	Clamp Switch
BKB-249	2275-00249	Bushing
BKB-346	4575-00346	Dash Pot, Complete
BKB-512	4375-00012	Connecting Rod & Bearing
BKB-595	8595	Extension Spring
BKB-660	4575-00660	Plate (Yoke)
BKB-798	4675-00798	Scrap Pan, White, Complete
BKB-865	4675-00865	Yoke Assembly, Complete
BKB-885	4575-00885	Machine Cover, White
BKB-1156	4675-01156	Motor & Bracket

* Also fits GMB Bread Slicer

These parts are offered as replacement parts for Berkel machines. Alfa is not affiliated with Berkel.

PARTS FOR BERKEL BREAD SLICERS

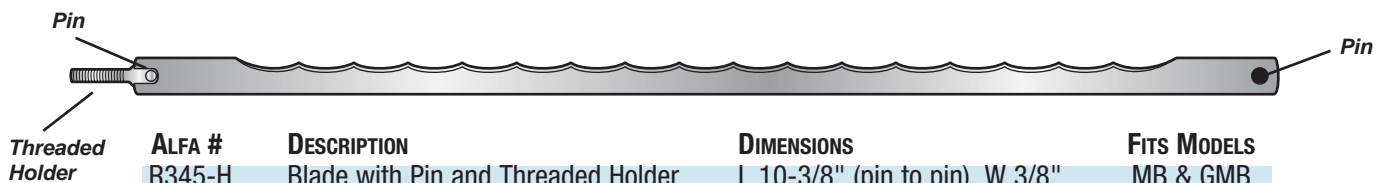


ALFA #	BERKEL #	DESCRIPTION	FITS MODELS	
			MB	GMB
B-004	2675-00028	Toggle Switch	X	
B-022	3675-00061	Rubber Support Shoe		X
B-026	2275-00063	Damper Knob		X
B-107	2275-00060	Rubber Switch Cover	X	X
B-126	A-03000-1	Rubber Support Foot	X	
B-208	4575-00208	Shoe Post		X
BKB-120	2375-00120	Drive V-Belt (30" x 1/2")	X	
BKB-280	2675-00646	Mercury Switch	X	
BKB-325	07322-A	Operating Handle	X	
BKB-405	2275-00405	Scrap Pan Knob	X	X
BKB-412	A-07324-12	Moveable Trough Ass'y (Slice 7/16")	X	
BKB-413	A-07324-13	Moveable Trough Ass'y (Slice 3/8")	X	
BKB-656	3475-00656	Knife Lug Tab	X	X
BKB-990	3375-00990	Blade Tension Nut	X	X
CORD	4175-00031	Power Cord	X	X
CORD-520A		Heavy Duty, NEMA-Style	X	X
R345-H	4575-00693	Blade Assembly w/Holder (set of 36)	X	X

MISC. PARTS

BERKEL BREAD SLICER BLADES

Alfa's Replacement Blades are machined from the finest chromium-alloy steel, giving them unequaled strength and sharp edges. Each weld is filed and smoothed by hand, then checked with a micrometer to ensure uniformity. A final honing operation absolutely removes all burrs and metal particles from the blade. Blade length is guaranteed to be true to within .003".

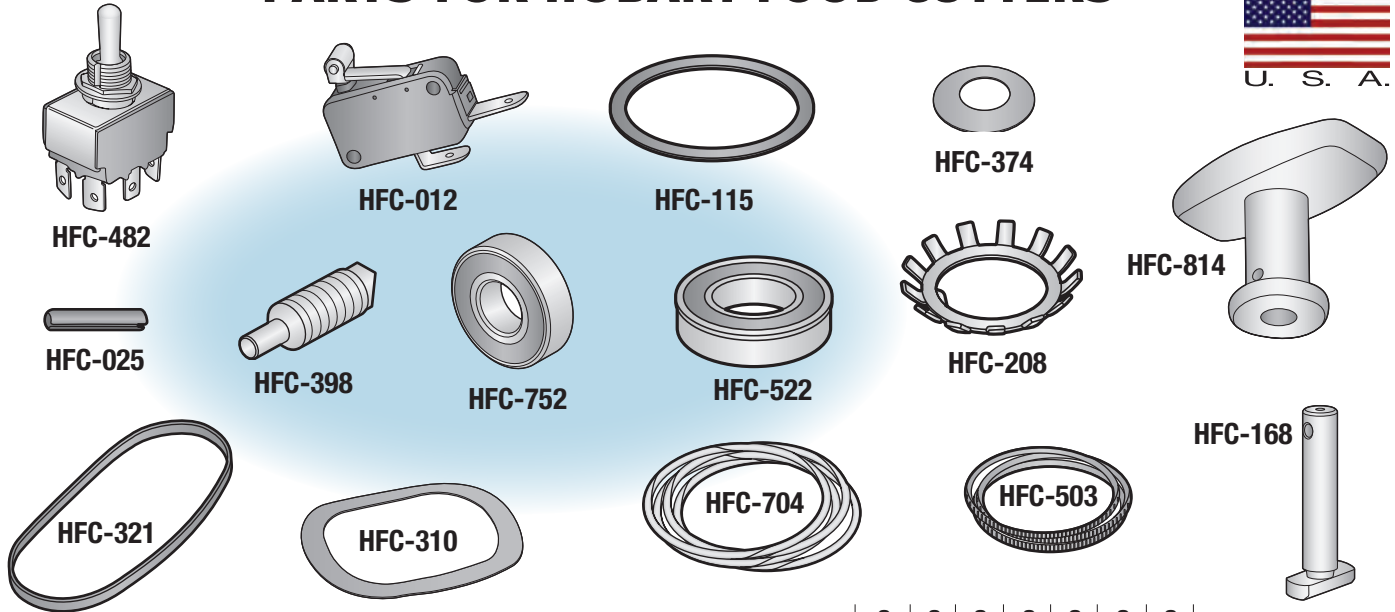


ALFA #	DESCRIPTION	DIMENSIONS	FITS MODELS
R345-H	Blade with Pin and Threaded Holder for easy installation (Set of 36) Replaces OEM #4675-006393	L 10-3/8" (pin to pin), W 3/8"	MB & GMB

Note: Tips are hardened for longer life.

The parts on this page are offered as replacement parts for Berkel machines. Alfa is not affiliated with Berkel.

PARTS FOR HOBART FOOD CUTTERS



ALFA #	HOBART #	DESCRIPTION	FITS MODELS									
			8145	8181	8155	8166	8445	8411	8488	8455	8416	
HFC-012*	00-087711-201-2	Micro Switch				X						X
HFC-025	PG-3-27	Locking Handle Roll Pins (5 per pkg.)	X	X	X	X	X	X	X	X	X	X
HFC-115	67500-115	"O" Ring				X						X
HFC-168	117168	Interlock Bolt	X	X	X	X	X	X	X	X	X	X
HFC-208	WL-012-08	Lockwasher				X						X
HFC-310*	SL-003-10	Loading Spring	X	X	X		X	X	X			
HFC-321	BV-013-21	Belt	X				X					
HFC-374	77374	Washer	X	X	X	X	X	X	X	X	X	X
HFC-398	78398	Insert Knife Shaft	X			X						X
HFC-482*	00-087711-148-2	On/Off Switch	X		X	X				X	X	
HFC-503	117503	"V" Belt	X				X					
HFC-522	BB-15-22	Rear Knife Shaft Ball Bearing	X			X						X
HFC-704	291704	Round Belt				X						X
HFC-752	BB-7-52	Attachment Drive Bearing	X			X						X
HFC-814	00-116814	Locking Handle	X	X	X	X	X	X	X	X	X	X

MISC. PARTS

*Available while current stock lasts.

The above parts are sold by Alfa International as replacement parts for Hobart Food Cutters. Alfa is not affiliated with Hobart.



FOR ALL OF YOUR BAKERY NEEDS

You will notice the many new products we have added to our line which are a direct result of reader feedback. This communication is an vital factor in our continued growth.

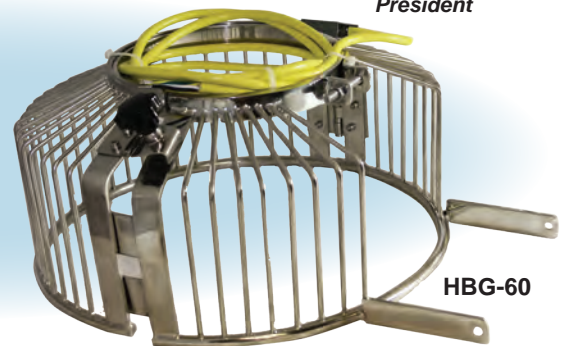
- Roger Madigan
President



30VBWLA

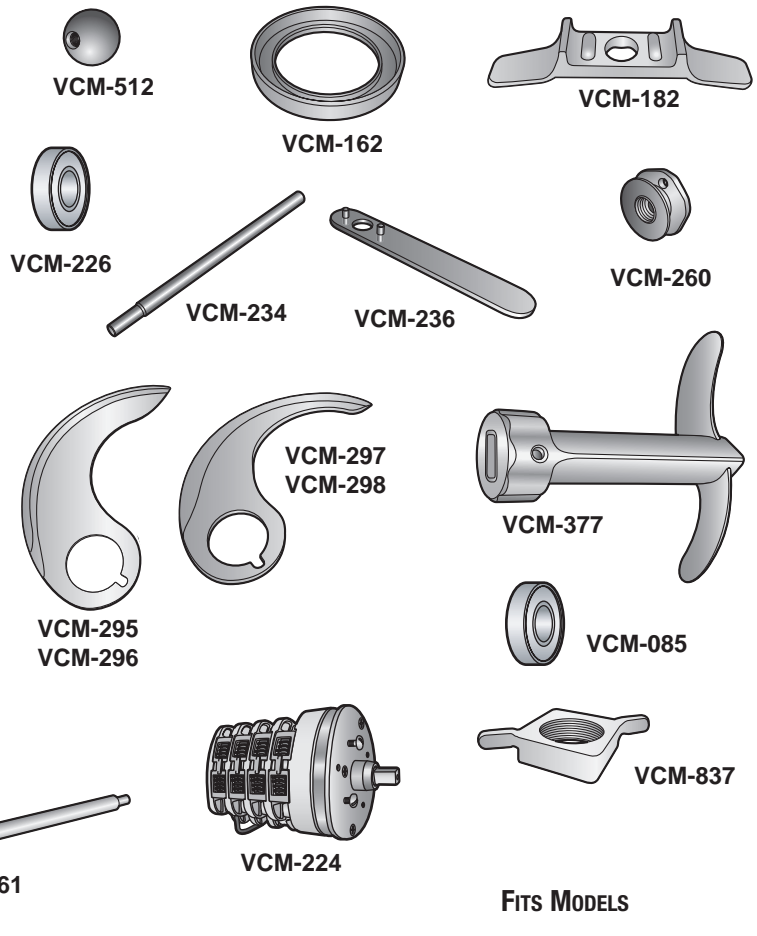


KCM8BG



HBG-60

VCM PARTS For Hobart, Stephan and Berkel Vertical Cutter/Mixers



VCM-218-02

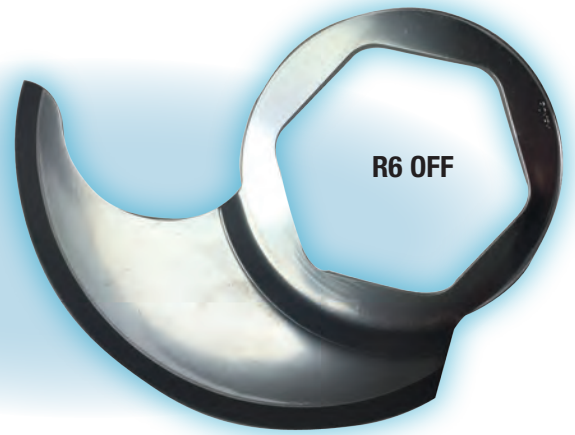
FITS MODELS

ALFA #	STEPHAN #	HOBART #	BERKEL #	DESCRIPTION	25	40	44	44A
VCM-085	6085	M-82999	88217-24	Lower Bearing	X	X		
VCM-161	0161	M-82840	88015-24	Tilt Handle	X	X		
VCM-162	0162	M-83002	88211-24	Oil Seal	X	X		
VCM-180	0180	A-106978+ A-106980	88028-B24+ 88028-C24	Bowl Seal Assembly with O-Ring	X	X	X	X
VCM-182	0182	A-106985	88028-24	Wrench for Bowl Seal Assembly	X	X	X	X
VCM-218-02	3M2218-02	N/A	N/A	New Style Switch Housing with Fitting and Screws	X	X		
VCM-203	0203	N/A	N/A	Lid Gasket O-Ring	X	X	X	X
VCM-224	0224	M-82869	88058-24	Rotary Drum Switch - N/S	X	X		
VCM-226	6226	M-3003	88210-24	Upper Bearing	X	X		
VCM-234	0234	M-82876	88064-24	Holding Pin	X	X		
VCM-236	0236	M-82777	88065-24	Spanner with Pivots	X	X		
VCM-260	0260	M-82880	88212-24	Knurled Nut - Now S/S	X	X		
VCM-265	0265	M-82885	88201-24	Shaft Sleeve	X	X	X	X
VCM-295	0295	M-883004-1	88996-2	Wide S/S Knife (Sold 1x each)	X			
VCM-296	0296	M-83004-2	88996-4	Wide S/S Knife (Sold 1x each)		X	X	
VCM-297	0297	M-83006-1	88993-2	Narrow S/S Knife (Sold 1x each)	X			
VCM-298	0298	M-83006-2	88993-4	Narrow S/S Knife (Sold 1x each)		X	X	
VCM-377	0377	M-88258-2	88999-4	Aluminum Knead Shaft-VCM 40		X		
VCM-512	1512	M-84037	88026-24	Bakelite Knob	X	X		
VCM-837	6837	M-82984	88029-24	Lock Nut for the Knife Shaft	X	X		
VCM-2231/2	2231 2232	N/A	3-M4023-03 3-I011202	Glass Inspection Kit with Silicone Gasket			X	X

The above parts are sold by Alfa International as replacement parts for Hobart, Stephan and Berkel. Alfa is not affiliated with these firms.

BLADES for Robot Coupe Machines

ALFA EXCLUSIVE



RC-1
RC-2

Note: Both RC-1 and RC-2 include the Plastic Cap (#R3030)

ROBOT COUPE FOOD PROCESSOR S/S BLADES & ASSEMBLIES

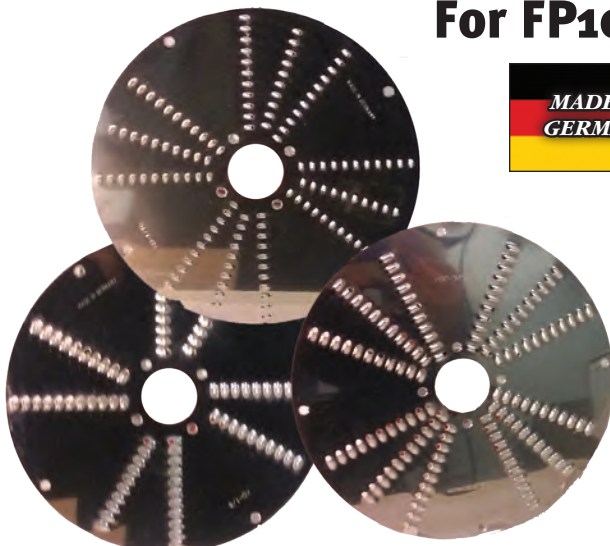
The Italian-made blades shown above are a great, moneysaving addition to the Alfa line. Our best-selling RC-1 and RC-2 assemblies (left) have stainless steel blades with beveled edges and the hubs made of durable, food safe white plastic – just like their OEM counterparts.

ALFA #	OEM #	REPLACES ROBOT COUPE #	FITS MODELS
RC-1	38150	R3029, R1752 (Old) (for hex shaft)	R-172, R-300, R-301V-B&C
RC-2	27055	R203 (fits round shaft w/ 1 flat side)	R-2, R-2N, R-2U
R6 STR	117033	117033	R602, R6N, R6V, R6Y
R6 OFF	117032	117032	R602, R6N, R6V, R6Y

The above parts are sold by Alfa International as replacement parts for Robot Coupe Food Processors. Alfa is not affiliated with Robot Coupe.

MISC. PARTS

SHREDDER PLATES FOR HOBART FOOD PROCESSORS For FP100, FP100C, FP150 & FP250



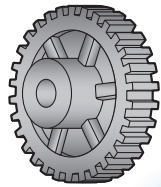
These high-quality German-made aftermarket shredder plates fit Hobarts FP100, FP100C and FP250 Food Processors.

ALFA #	HOLE SIZE	OEM #	FITS MODELS
HSP-018	1/8"	274409	FP100, FP250
HSP-116	1/16"	435734	FP100, FP250
HSP-316	3/16"	274343	FP100, FP250
HSP-332	3/32"	274320	FP100, FP250
HSP-516	5/16"	274410	FP100, FP250
HSP-732	7/32"	435735	FP100

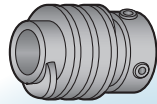
The above parts are sold by Alfa International as replacement parts for Hobart Food Processors. Alfa is not affiliated with Hobart.

Plates are 7" in diameter

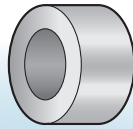
PARTS FOR HICKORY ROTISSERIES



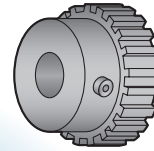
HR-192



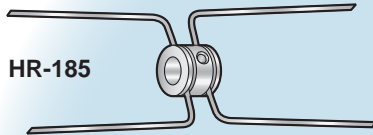
HR-184



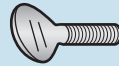
HR-191



HR-131



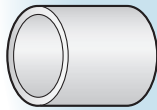
HR-185



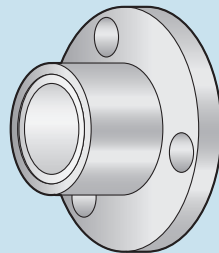
HR-219



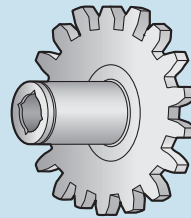
HR-186



HR-765



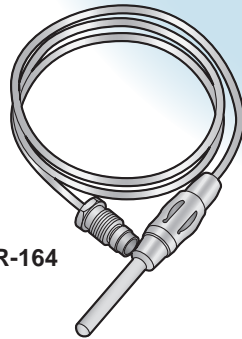
HR-759



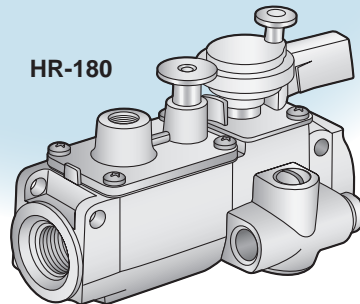
HR-560



HR-113



HR-164



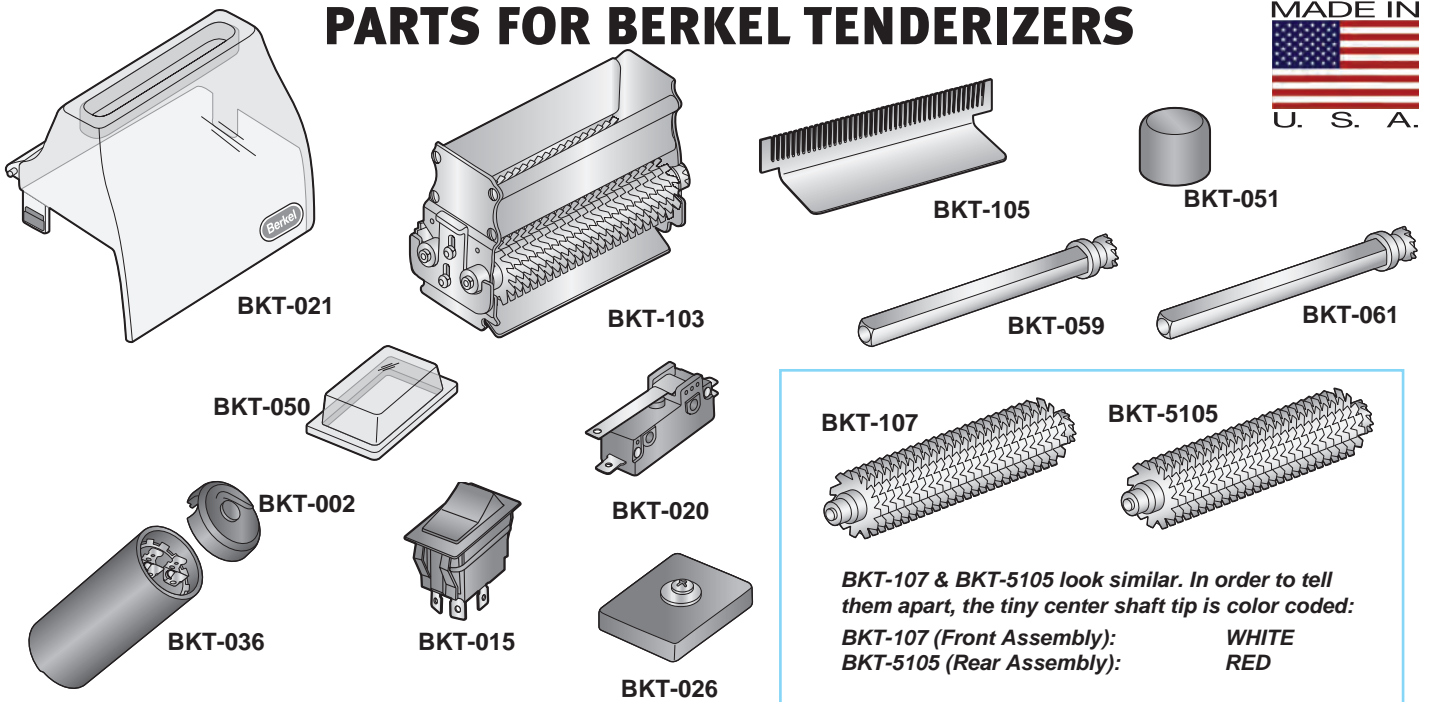
HR-180

FITS MODELS

ALFA #	HICKORY #	DESCRIPTION	3 G	3 G S	5 G	N / 7	N / 7 G	N / 9	N / 9 G	N / 1 4	N / 1 8 G	N / 4 5	S M 2 0 G	S M 4 0 G	W D G	4 5 W D G	7 7		
HR-113	113	Single Fire Brick	X	X		X						X	X	X					
HR-131	131	Motor Gear			X		X		X	X	X				X				
HR-164	164	Thermocouple Pilot, 36"							All Gas Models										
HR-180	180	Manifold Safety Valve, 3/8"				X		X		X							X		
HR-184	184	Shaft Worm (Plastic)			X		X		X		X	X			X				
HR-185	185	Double Stainless Steel Skewer							All Models										
HR-186	186	Stainless Steel Skewer							All Models										
HR-191	191	Stainless Steel Spit Collar							All Models										
HR-192	192	Spit Gear				X		X		X	X								
HR-219	219	Stainless Steel Thumb Screw							All Models										
HR-560	560	Spit Drive Gear												Gas Only			X		
HR-759	759	Spit Drive Bearing Assembly															X		
HR-765	765	Spit Drive Bearing															X		

The above parts are sold by Alfa International as replacement parts for Hickory Rotisseries. Alfa is not affiliated with Hickory.

PARTS FOR BERKEL TENDERIZERS



BKT-107 **BKT-5105**

BKT-107 & BKT-5105 look similar. In order to tell them apart, the tiny center shaft tip is color coded:

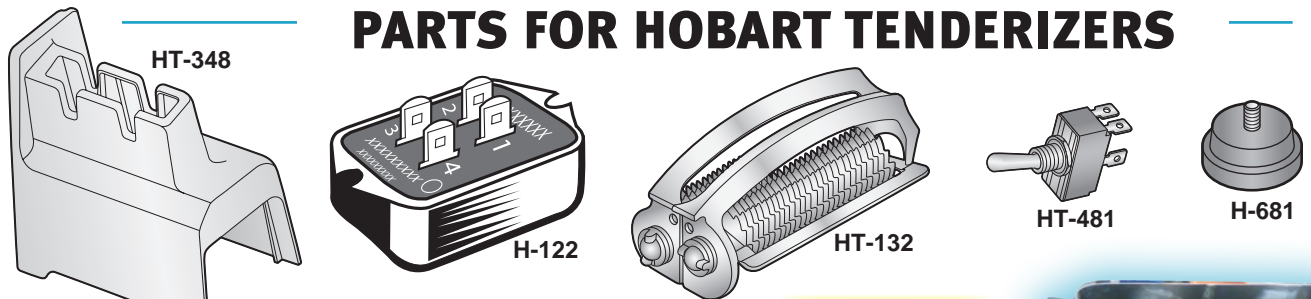
BKT-107 (Front Assembly): **WHITE**
BKT-5105 (Rear Assembly): **RED**

ALFA #	BERKEL #	DESCRIPTION	FITS MODELS		
			705	704	703
BKT-002*	2675-0002	Capacitor Cap	X		
BKT-015	2675-0015	On/Off Switch, DPST Rocker, 15A	X	X	
BKT-020	4175-0020	Interlock Switch, SPST, 15A	X	X	
BKT-021	9234-0020	Complete Safety Cover (OEM)	X	X	
BKT-026*	4375-0026	Switch Assembly Magnet	X		
BKT-036*	2675-0036	Motor Start Capacitor	X		
BKT-050	3675-0050	Switch Cover Boot	X		
BKT-051	3675-0051	Rubber Shoe	X	X	
BKT-059	4575-0059	Front Blade Assembly Shaft, White	X		
BKT-061*	4575-0061	Front Blade Assembly Shaft, Red	X		
BKT-103	4675-0103	Complete Frame and Blade Assembly (Std.)	X		
BKT-105	3475-0105	Stripper Plate (For Front or Rear)	X	X	X
BKT-107	4675-0107	Complete Front Blade Shaft Assembly (White Tips)	X		
BKT-5105	4675-0105	Complete Rear Blade Shaft Assembly (Red Tips)	X		

* Products available while stock lasts

MISC. PARTS

PARTS FOR HOBART TENDERIZERS



ALFA #	HOBART #	DESCRIPTION	FITS MODELS	
			401	403
HT-348	270348	Plastic Cover		X
HT-132	M339132	Lift Out Unit	X	X
HT-481	87711-148-1	On/Off Switch		X
H-681	83681	Support Foot	X	
H-122	271612-2	Start Switch		X
HT-740	740	Cover (Aluminum)	X	

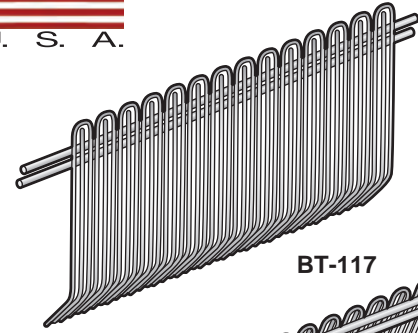
NEW PART!



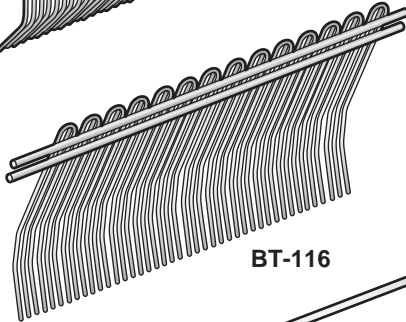
The above parts are sold by Alfa International as replacement parts for Hobart and Berkel Tenderizers. Alfa is not affiliated with either firm.

PARTS FOR BIRO TENDERIZERS

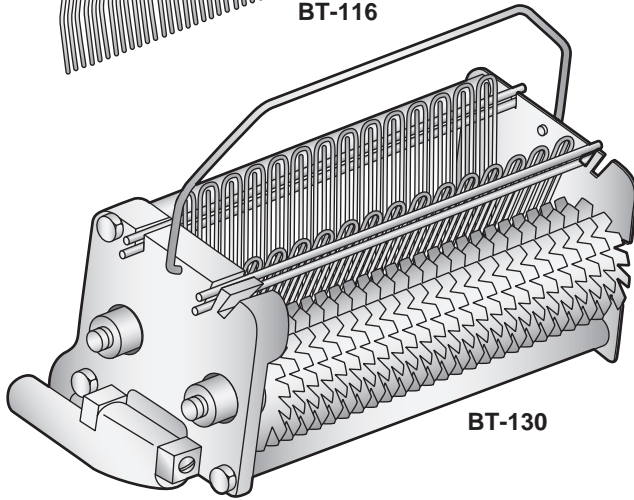
For Model Pro 9



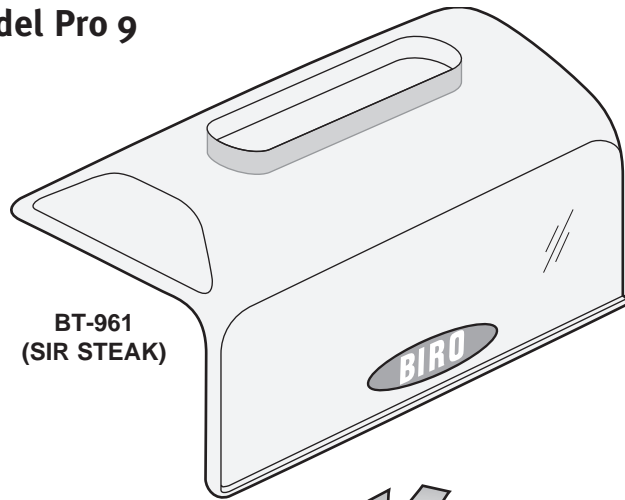
BT-117



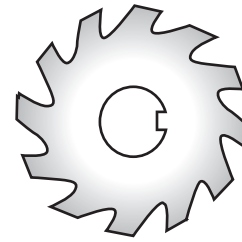
BT-116



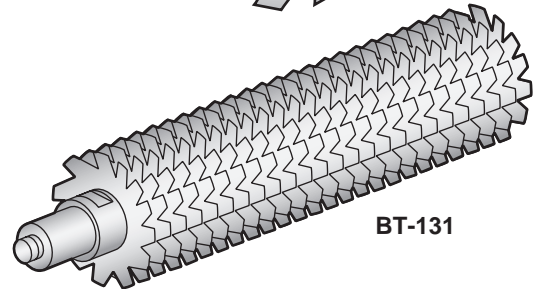
BT-130



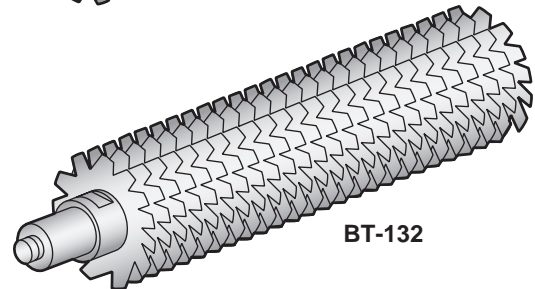
BT-961
(SIR STEAK)



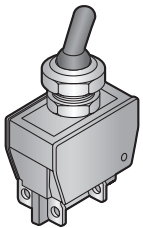
BT-036



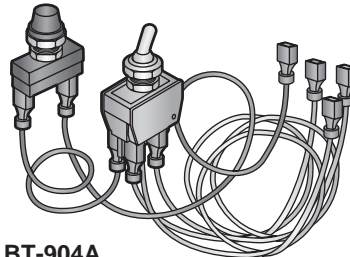
BT-131



BT-132



BT-864A



BT-904A

FOR MODEL PRO 9

ALFA #	BIRO #	DESCRIPTION
BT-036	T3036	Knife Blade, Stainless Steel (each)
BT-116	T3116	Dual Ridged Front Comb (left)
BT-117	T3117	Dual Ridged Back Comb (right)
BT-130	TA3130	Complete Lift Out Cradle with Blades and Combs
BT-131	TA3131	Front Blade Assembly
BT-132	TA3132	Back Blade Assembly
BT-864A	T3186-4A	On/Off Toggle Switch, 16 Amp
BT-904A	T3290-4A	Interlock Safety Switch with Toggle Switch
BT-961	TA3096M-2	Transparent Plastic Cover (for Sir Steak Pro9)

The above parts are sold by Alfa International as replacement parts for Biro Tenderizers. Alfa is not affiliated with Biro.

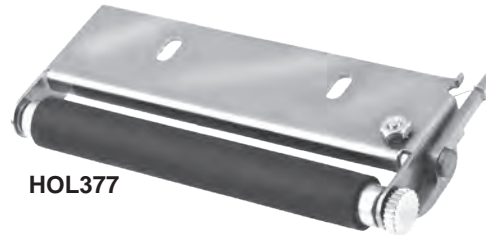
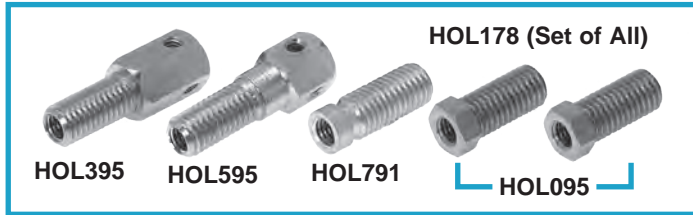
FOR HOLLYMATIC SUPER 54 PATTY MAKER

ALFA
 NEW FOR
2017

HOL376



HOL140



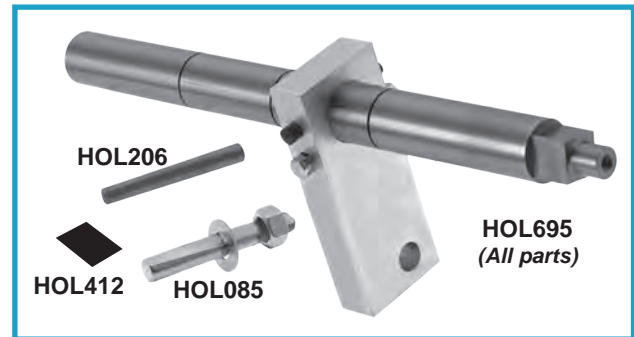
HOL377



HOL177
 (Set of all
 Four)



HOL102



HOL695
 (All parts)



HOL002

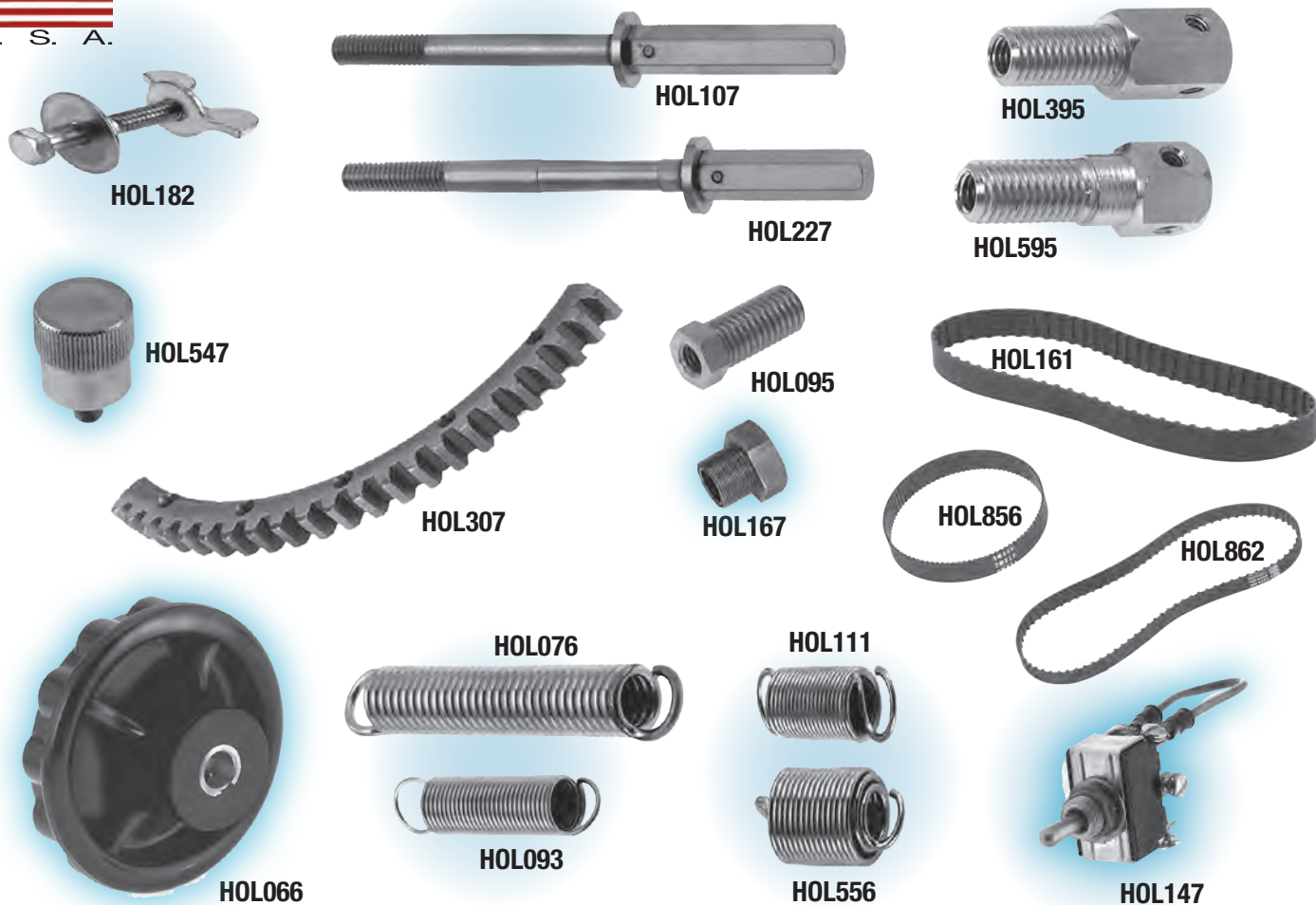
MISC. PARTS

ALFA #	HOLLY #	DESCRIPTION
HOL095	2095	Insert, Rear, Threaded (2 required, sold individually)
HOL102	2102	Bushing, Main Shaft
HOL107	2107	Hopper Bolt, Long - 2-3/8" head (2 required, sold individually)
HOL140	3140	T-Wrench, 1/2"
HOL177	N/A	Hopper Bolt Kit (Set of 4)
HOL178	N/A	Insert Kit
HOL188	2188	Lock pin, Nut, Washer
HOL206	2206	Taper Pin
HOL227	2227	Hopper Bolt Gear Guard, Short - 1-7/8" head, (2 required, sold individually)
HOL376	2440376	Sensor Proximity
HOL377	2377	Paper Pick-up Roller Ass'y
HOL395	2395	Insert, Front, Threaded (right hand)
HOL412	2412	Plate, .062"
HOL595	2595	Insert, Front, Threaded (left hand)
HOL695	7695	Main Shaft & Drive Arm Ass'y (also includes parts HOL206, HOL188 and HOL412)
HOL791	7791	Insert, "Special," Rear Locating

The above parts are sold by Alfa International as replacement parts for Hollymatic Patty Makers. Alfa is not affiliated with Hollymatic.



PARTS FOR HOLLYMATIC SUPER 54 PATTY MAKER



ALFA #	HOLLY #	DESCRIPTION
HOL066*	2066	Rod Adjustment Knob
HOL076	2076	Paper Release Spring
HOL093	2093	Paper Plate Spring
HOL095	2095	Threaded Rear Insert
HOL107	2107	Hopper top bolt w/ long hex head, (2 Required, sold individually)
HOL111	2111	Knock-Out Helper Spring
HOL147	7147	On/Off Switch Assembly
HOL161	2161	Toothed Drive Belt - 24" Long
HOL167	2167	Lower Knock-Out Bushing
HOL182	2182	Cup Knock-Out Assembly Bolt
HOL227	2227	Hopper bolt w/ short hex head, (2 Required, sold individually)
HOL307	2307	Gear Segment
HOL395	2395	Threaded Front Right-Hand Short Insert
HOL547	2547	Adapter Plate Lock Screw
HOL556	5000556	Retraction Spring
HOL595	2595	Threaded Front Left-Hand Insert
HOL856	7856	Timing Belt 95T .08 Pitch / 7 5/8" Long
HOL862	7862	Timing Belt 85T 1/5 Pitch / 17 1/4" Long

* Product available while stock lasts

The above parts are sold by Alfa International as replacement parts for Hollymatic Patty Makers. Alfa is not affiliated with Hollymatic.

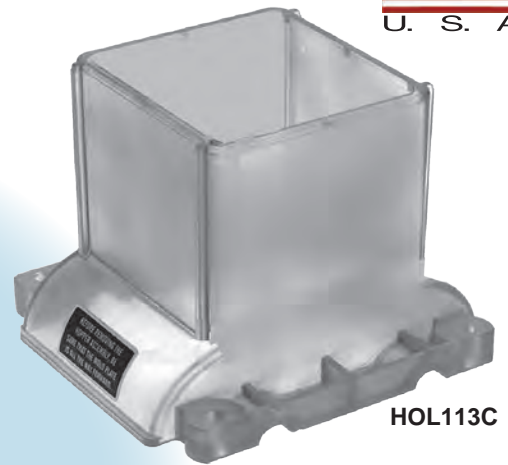
PARTS FOR HOLLYMATIC SUPER 54 PATTY MAKER



HOL022
HOL212
HOL214
HOL215
HOL217

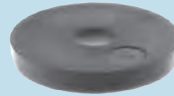


HOL061



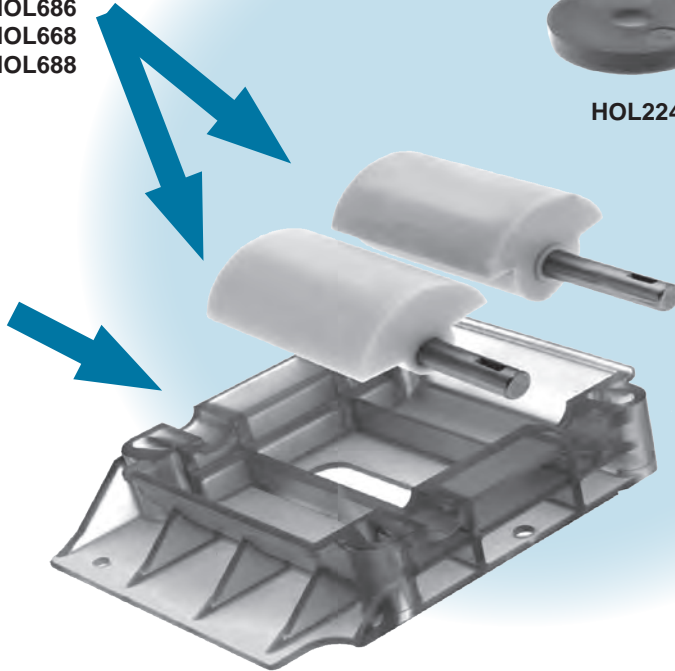
HOL113C

HOL666
HOL686
HOL668
HOL688



HOL224

HOL047C
HOL647C
HOL421C
HOL637C



HOL050C

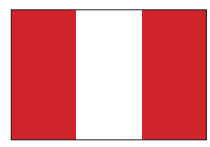
HOL348



MISC. PARTS

ALFA #	HOLLY #	DESCRIPTION
HOL022	09101221	4.491" Diameter Knock-Out Cup
HOL047C	2047	Hopper Bottom (Ungrooved) 5 Oz. Clear
HOL050C	2050	Hopper Top (Old Style) Clear
HOL061	2061	Knock-Out Arm Metal
HOL113C	7113	Hopper Top (New Style) Clear
HOL212	09101212	3.897" Diameter Knock-Out Cup White
HOL214	09101214	4.029" Diameter Knock-Out Cup White
HOL215	09101215	4.095" Diameter Knock-Out Cup White
HOL217	09101217	4.227" Diameter Knock-Out Cup White
HOL224	09101224	Spacer "A" - Knock-Out Cup White
HOL348	2348	Knock-Out Rod
HOL421C	2421	Hopper Bottom (Grooved) 5 Oz. Clear
HOL637C	2637	Hopper Bottom (Grooved) 8 Oz. Clear
HOL647C	2647	Hopper Bottom (Ungrooved) 8 Oz. Clear
HOL666	2666	Compressor - Front (5 Oz.)
HOL668	2668	Compressor - Rear (5 Oz.)
HOL686	2686	Compressor - Front (8 Oz.)
HOL688	2688	Compressor - Rear (8 Oz.)

The above parts are sold by Alfa International as replacement parts for Hollymatic Patty Makers. Alfa is not affiliated with Hollymatic.



PERU



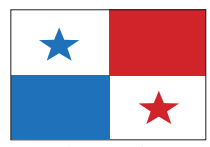
HONDURAS



PARAGUAY



BRASIL



NICARAGUA



PANAMA



MEXICO



GUATEMALA



EL SALVADOR



COSTA RICA



ECUADOR



COLOMBIA



CHILE



VENEZUELA



PUERTO RICO

**Serving Latin America
Se Habla Español**

Serviendo Latino América

Desde 1938



**Ask Us About
BULK PRICING
& Save BIG
Today!**

Packingshouse

NEW!	SCHERMER BOLT STUNNERS	157
	STUNNER POWER LOADS	157
	SCHERMER STUNNER PARTS	158-159
	ELECTRIC TRANSFORMERS/STUNNERS	160
	STUNNING TONGS	160
	KAWE ELECTRIC ANIMAL PROD	160
	WASH DOWN SPRAYS & SPRAY PARTS	161
	STUNNER ACCESSORIES AND TOOLS	162

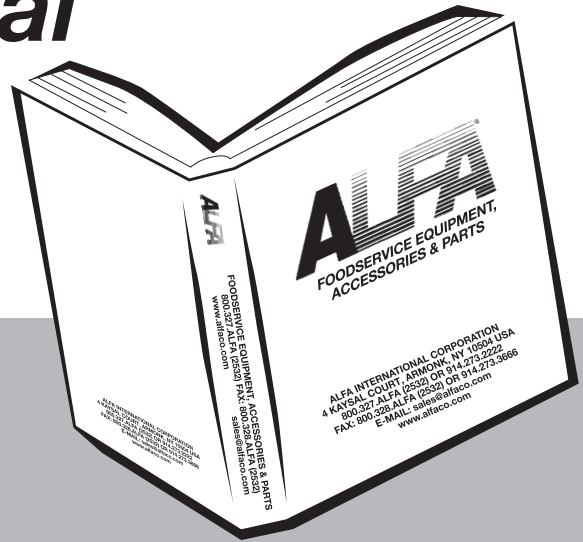
PACKINGHOUSE

Visit us online at www.alfaco.com

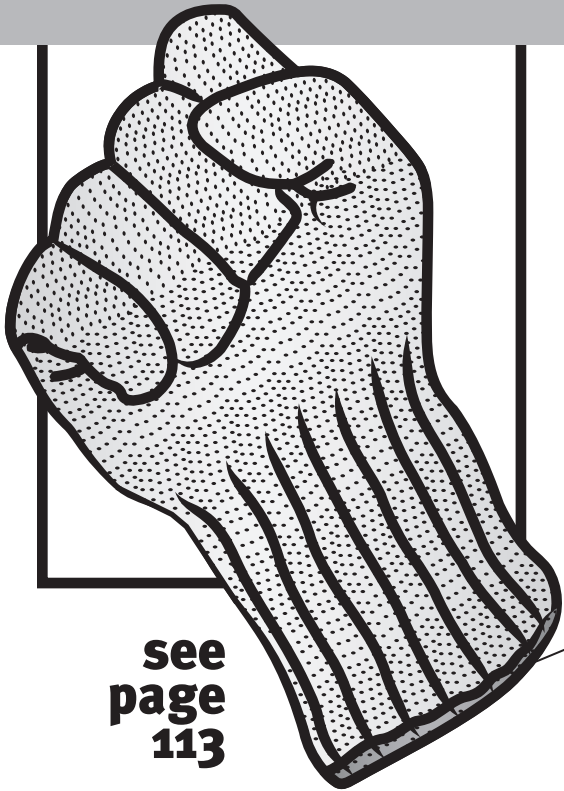
ALFA International

2017 Catalog

Featured Products



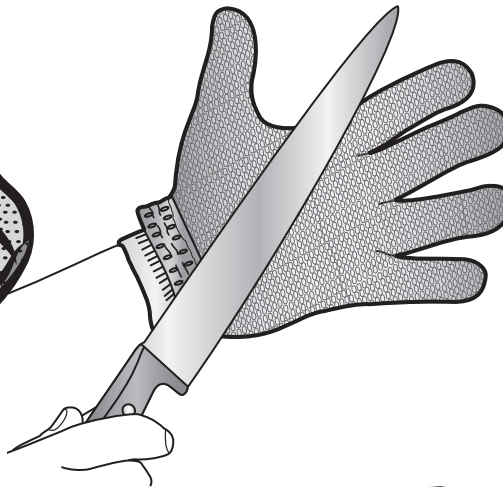
Safety Gloves



see
page
113

Take the danger out of repairing and cleaning slicers. Alfa Safety Gloves are composed of a unique component called Spectra, combined with stainless steel and polyethylene.

The resulting gloves are cut-resistant that are warm and comfortable to wear. Sold as single gloves which are ambidextrous to fit either hand.



And, for the ultimate in worker safety, check out our Alfa Stainless Steel Mesh Safety Gloves. The stainless steel rings that make up the mesh provide for Maximum cut protection!



These sturdy hand saws are great for any size butcher operation –

Stainless Steel Hand Meatsaws

–and all sizes have **stainless steel** frames with durable molded black plastic handles and carbon steel blades.

see page 111

Visit Us OnLine at www.alfaco.com

ALFA
EXCLUSIVE

SCHERMER LIVESTOCK STUNNERS

MADE IN
GERMANY



KK

ALFA
NEW FOR
2017

Schermer's new KK Stunner is a more compact version of the popular KR stunner and is ideal for packhouse use in confined spaces. The KK weighs about 6 lbs. (light enough for one-hand operation) and is approximately 13.5" long.

ALFA # DESCRIPTION

KK Compact Penetrating Bolt Stunner - A shortened version of our KR Stunner (see below), for all types of livestock including cattle, horses, hogs and sheep.

Our KS Stunner with automatic bolt retraction is the industry standard for all types of livestock.



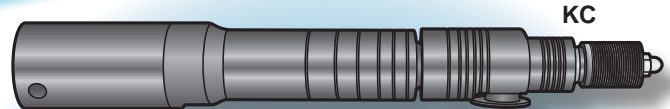
KS



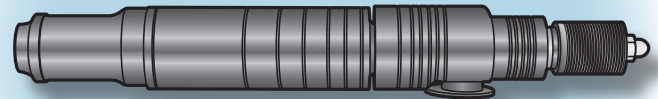
USDA
ACCEPTED

WARRANTY:
6 Months

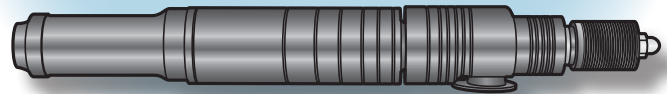
Versatile, lightweight and rugged, Schermer stunners are easy to clean and repair. Spare parts are inexpensive and the hardened alloy steel stands up to the toughest packinghouse conditions. Each stunner weighs about 7 lbs., light enough for one-hand operation.



KC



KL



KR

ALFA # DESCRIPTION

KR Penetrating Bolt Stunner - Our Most Popular Model - For All Types of Livestock including Cattle, Horses, Hogs and Sheep. More power and fewer parts.

KS Penetrating Bolt Stunner with **automatic bolt retraction** for all types of livestock.

KL Penetrating Stunner with extra long bolt for more penetration. Call for applications.

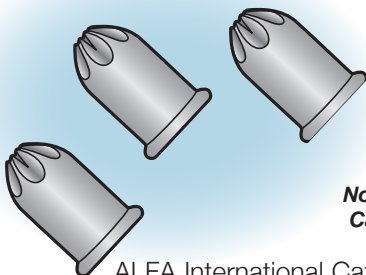
KC Non-penetrating Stunner - Heavy Duty - For Cattle and Other Types of Animals. Accepted for use in Federally Inspected Plants that save Head and Cheek Meat.

PACKINGHOUSE

Power Loads (for Schermer K-Series Stunners Only)

WARRANTY:
6 Months

Packing: 100 rounds in a moisture-resistant plastic cannister, ten cannisters per carton.
Minimum Order: One carton (1000 rounds) of each type (types may not be mixed).



ALFA #	REPLACES	APPLICATION
C-5 YELLOW	C-15	Normal Size Cattle, Large Hogs and Horses
C-5 BLUE	C-17	Normal Size Bulls
C-5 RED	C-21	Heavy Bulls and Other Large Livestock
STUNTEST		To test Bolt Velocity - 110 volt

Note: Power Loads cannot be shipped via air and are not returnable. The use of any Power Load Cartridges not manufactured by Karl Schermer GMBH will void the warranty of these Stunners.

SCHERMER K SERIES STUNNER PARTS



K SERIES STUNNERS FIRING ASSEMBLY (K TOP)

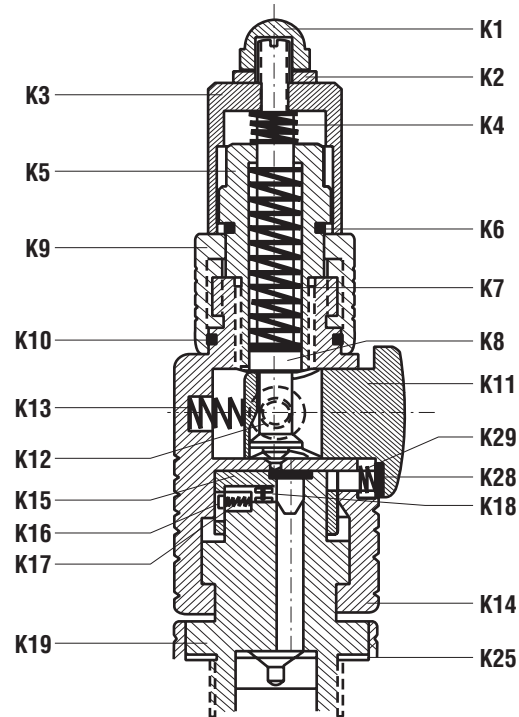
Note: This is a common component for all Schermer K Series Stunners

MADE IN
GERMANY

WARRANTY:
6 Months

ALFA # DESCRIPTION

K1	Hexagonal Lock Nut for Firing Pin
K2	Lock Washer for Firing Pin Lock Nut
K3	Pull Cap for Firing Pin
K4	Tension Spring under Pull Cap
K5	Hexagonal Guide for Firing Pin
K6	O-Ring (Red Rubber Safety Indicator)
K7	Firing Pin Spring
K8	Firing Pin
K9	Safety Ring
K10	O-Ring (Black Rubber)
K11	Trigger
K12	Guide Screw
K13	Trigger Spring
K14	Cartridge Breech Lock
K15	Cartridge Ejector
K16	Ejector Guiding Pin
K17	Guiding Pin Spring
K18	Ejector Spring (2 pieces)
K19	Cartridge Breech
K25	O-Ring (2 pieces)
K28	Safety Catch Pin
K29	Spring for Safety Catch Pin



SCHERMER MODEL KR STUNNER PARTS

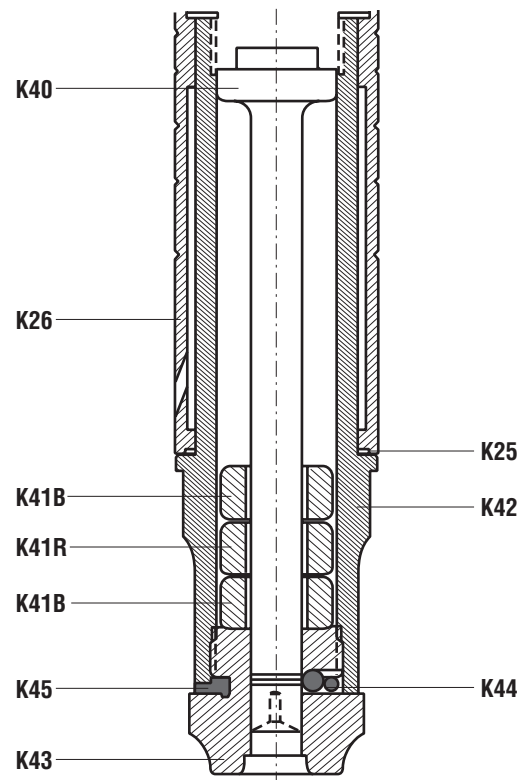
MODEL KR STUNNER PARTS

WARRANTY:
6 Months

ALFA # DESCRIPTION

K25	O-Ring (2 pieces)
K26	Protecting Cover - Rubber
K40	Bolt
K41B	Black Rubber Buffer
K41R	Red Rubber Buffer
K42	Barrel
K43	Muzzle (Bolt Outlet)
K44	Retaining Ball Bearings (3 Pieces)
K45	Fixing Ring (Black Rubber)

Note: The diagram at right and the parts descriptions above show a Black /Red /Black arrangement of the Rubber Buffers (K41B & K41R). Recently Schermer has been selling KR stunners with these buffers installed in a Red /Black /Red arrangement.



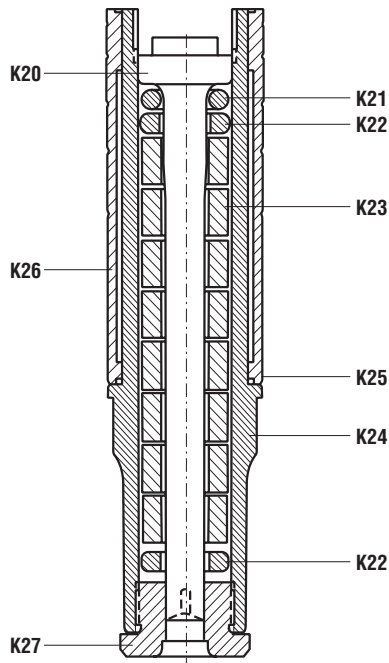
Note: See free instruction booklet for safe operation and maintenance information.



MADE IN GERMANY

SCHERMER K SERIES STUNNER PARTS

**WARRANTY:
6 Months**

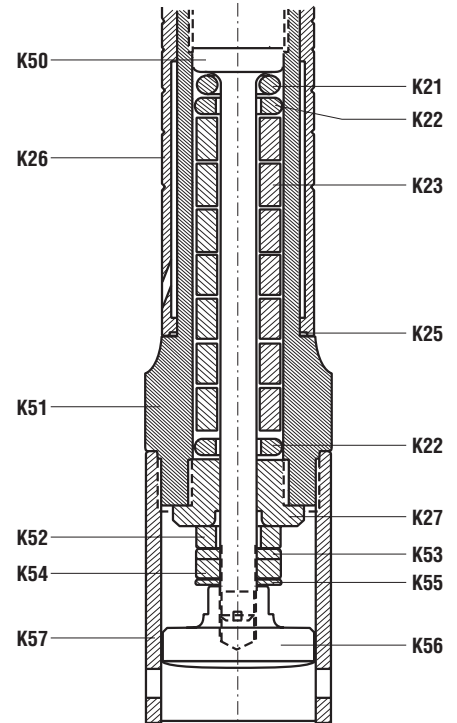


STUNNER TYPE KS

The Model KS Penetrating Bolt Stunner uses an Automatic Bolt Retraction System for more efficient stunning

ALFA #	DESCRIPTION
K20	Bolt
K21	O-Ring
K22	Rubber Plate (2 pieces)
K23	Tan Rubber Buffer (8 pieces)
K24	Barrel
K25	O-Ring (2 pieces)
K26	Protecting Cover
K27	Muzzle (Bolt Outlet)

**ALFA
EXCLUSIVE**



**WARRANTY:
6 Months**

STUNNER TYPE KC

Non-penetrating Stunner - Heavy Duty - For Cattle and Other Types of Animals. Accepted for use in Federally Inspected Plants that save Head and Cheek Meat.

ALFA #	DESCRIPTION
K21	O-Ring
K22	Rubber Plate (2 pieces)
K23	Tan Rubber Buffer (7 pieces)
K25	O-Ring (2 pieces)
K26	Protecting Cover - Rubber
K27	Muzzle (Bolt Outlet)
K50	Bolt
K51	Barrel
K52	Buffer at Stop Position
K53	Washer
K54	Nut
K55	Lock Washer
K56	Mushroom Strike Head
K57	Bushing

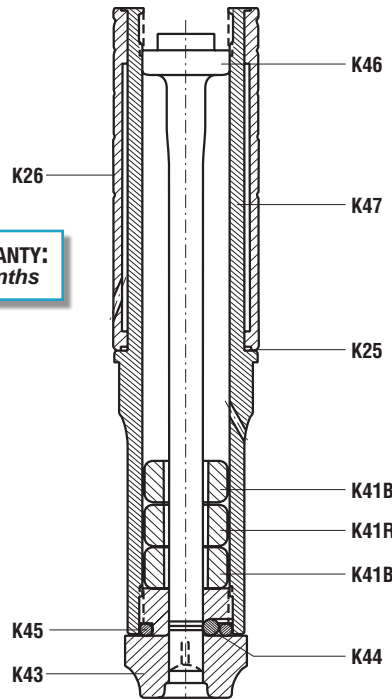
Note: See free instruction booklet for safe operation and maintenance information.

STUNNER TYPE KL

The Model KL Penetrating Stunner uses an Elongated Bolt for the Deepest Penetration Possible on the Largest Animals

ALFA #	DESCRIPTION
K25	O-Ring (2 pieces)
K26	Protecting Cover
K43	Muzzle
K44	Clamp Ball Bearings (3 Pieces)
K45	Fixing Rings (Black Rubber)
K46	Bolt (Long)
K41B	Black Rubber Buffer (2 Required)
K41R	Red Rubber Buffer
K47	Barrel (Long)

**WARRANTY:
6 Months**

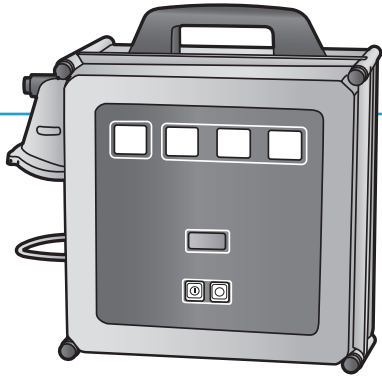


Note: The diagram and parts descriptions above show a Black /Red / Black arrangement of the Rubber Buffers (K41B & K41R). Recently Schermer has been selling KR stunners with these buffers installed in a Red /Black /Red arrangement.

PACKINGHOUSE

ALFA EXCLUSIVE

SCHERMER ELECTRIC HOG STUNNERS



MADE IN GERMANY

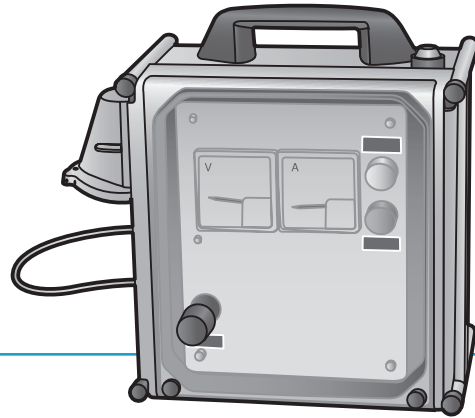
WARRANTY: 6 Months

TYPE LC-1 TRANSFORMER

- Processor controlled for peak stunning to reduce slaughter damage to the carcass
- Made for medium slaughter capacity
- Combined stunning of brain and heart with stunning tongs
- Monitors strength of current and minimum stunning time relative to animal's size
- Voltage: 220/230 Volt
- Weight: 20 Lbs.
- Dimensions 15.2" H x 15.2" W x 7.3" D

TYPE EC-2-1 E TRANSFORMER

- Designed for smaller stunning rates
- Power 300 W
- Electronic control
- Safety device
- Primary voltage: 220/230 Volt
- Stunning voltage 250 V
- Weight: 21 Lbs.
- Dimensions 15-1/2" L x 10-1/2" W x 4" D

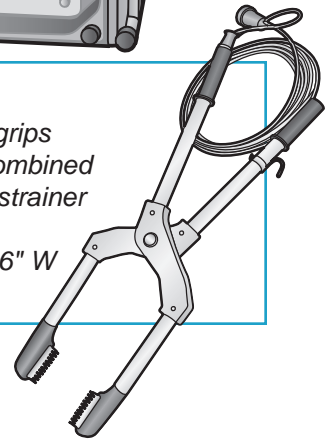


STUNNING TONGS

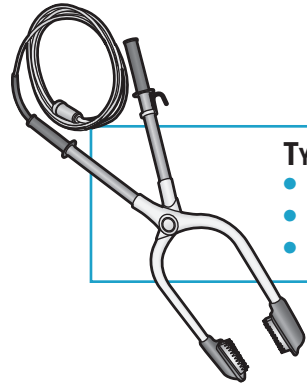
These tongs are completely insulated, operate without switch and are convenient to hold thanks to efficient design, reducing fatigue. Accessories include spiral cable, suspension spring and special electrodes for stunning sheep.

TYPE ZK-1 TONGS

- Plastic arms with rubber grips
- Large groove angle for combined heart-brain stunning in restrainer
- Weight: 8 Lbs.
- Dimensions 34.3" L x 10.6" W
- Option: On/Off switch



WARRANTY: 6 Months



TYPE Z 3 TONGS

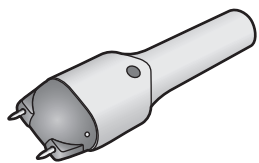
- Aluminum arms with rubber grips
- Weight: 6.2 Lbs.
- Dimensions 33.1" L x 11.9" W

ALFA #	DESCRIPTION
LC-1	Transformer, 110V, 60HZ
EC-2-1 E	Transformer, 110V, 60HZ
ZK-1	Tongs for Electric Hog Stunner
Z3	Tongs for Electric Hog Stunner

Note: Special order only. See free instruction booklet for safe operation and maintenance information.

KAWE 21 ANIMAL PROD

- Heavy-Duty Rugged Design
- Reliable Electronic Control System
- Safe and Effective
- Automatic "ON" Light
- Virtually Maintenance Free
- Regulated 2-Second Impulse
- Includes instructions in English and Spanish
- Extension Handle Available



This electronic prod is ideal for herding in tight areas and runs on two "D" batteries (not included). Conforms to the latest international regulations concerning humane treatment of livestock.

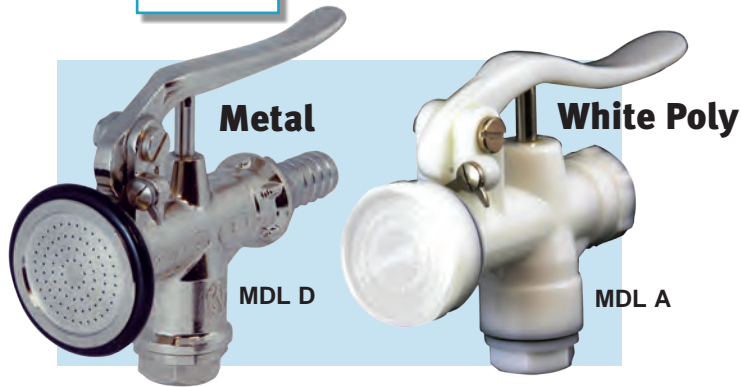
ALFA #	DESCRIPTION	DIMENSIONS	WEIGHT
KAWE-21	Prod	10.6" L x 2.8" W	4 lbs.*
KAWE-EXT	Handle	30" L	3 lbs

* with batteries

Warranty: 6 Months

MADE IN GERMANY

SCHERMER SPRAYS & PARTS



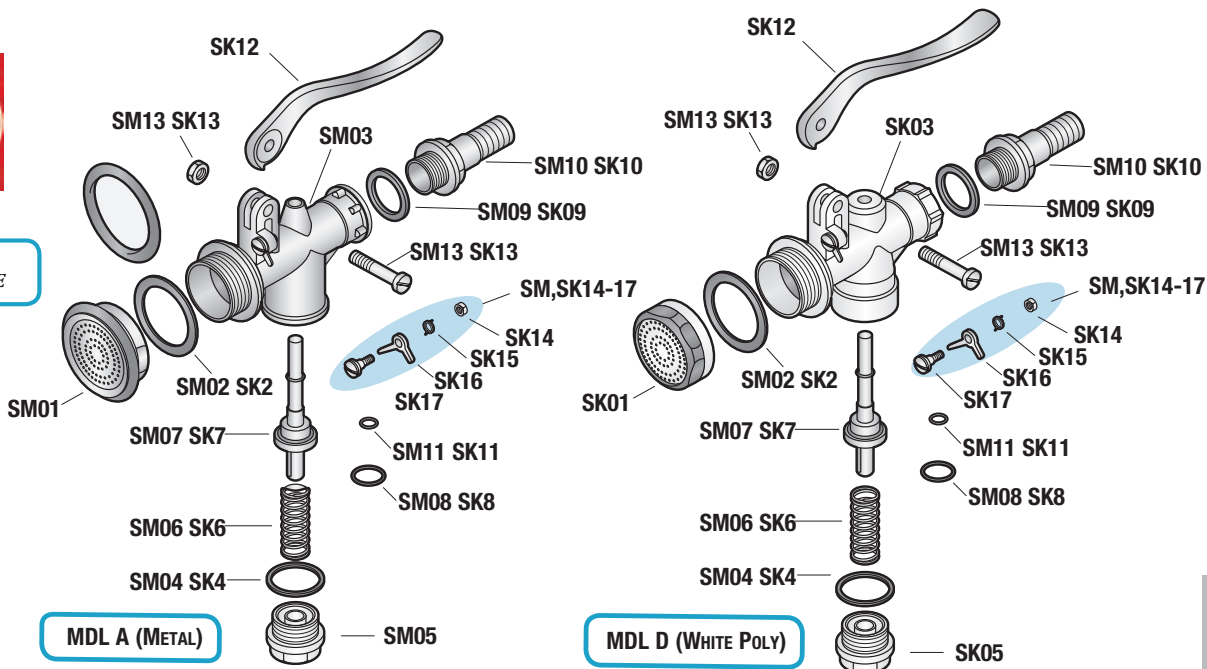
Schermer Sprays are state-of-the-art tools in the cleansing of animals, packhouse floors, equipment, etc. These USDA-Accepted accessories offer the following advantages:

- Automatic Water Shut-off Conserves Water
- Anti-Freeze Device Protects Hose and Pipe
- Rubber Rings Cushion & Protect Metal Spring
- Strong Seals Prevent Leaks & are Easily Replaced
- Heavy Duty Metal or Long Lasting Poly Construction
- 3/4" Connection Fits Standard Hoses
- All Replacement Parts In Stock

ALFA #	DESCRIPTION	MAX. TEMP.	MAX. PRESSURE	WEIGHT
MDL A	Heavy-Duty Chromed Metal Spray Head	194° F	145 PSI	3.2 lbs.
MDL D	Lightweight Polyethylene, Shock-Resistant Spray Head	194° F	87 PSI	1.2 Lbs.



ALFA EXCLUSIVE



ALFA #	DESCRIPTION	FITS MODELS	
		A	D
SK01	White Polyethylene Spray Head with Washer		X
SK03	White Poly Spray Housing		X
SK05	Threaded Poly Bottom Cap		X
SK12	White Poly Spray Lever		X
SK14	Antifreeze Unit Nut	X	X
SK15	Antifreeze Unit Spring	X	X
SK16	Lever for Anti-Freeze Device	X	X
SK17	Antifreeze Unit Screw	X	X
SM, SK14-17	Complete Antifreeze Unit	X	X
SM01	Metal Spray Head with Rubber Protective Ring and Washer	X	
SM02 SK2	Black Spray Head Washer	X	X
SM03	Chromed Metal Spray Housing	X	
SM05	Threaded Metal Bottom Cap	X	
SM04 SK4	Threaded Bottom Cap Washer	X	X
SM06 SK6	Stainless Steel Valve Spring	X	X
SM07 SK7	Valve Stem Complete with Two Seals	X	X
SM08 SK8	Large Seal for Valve Stem	X	X
SM09 SK9	Black Hose Coupling Washer	X	X
SM10 SK10	Male Hose Coupling - 3/4"	X	X
SM11 SK11	Small Seal for Valve Stem	X	X
SM13 SK13	Spray Lever Nut and Bolt	X	X

PACKINGHOUSE



SCHERMER STUNNER ACCESSORIES AND TOOLS

ALFA
EXCLUSIVE

MADE IN
GERMANY

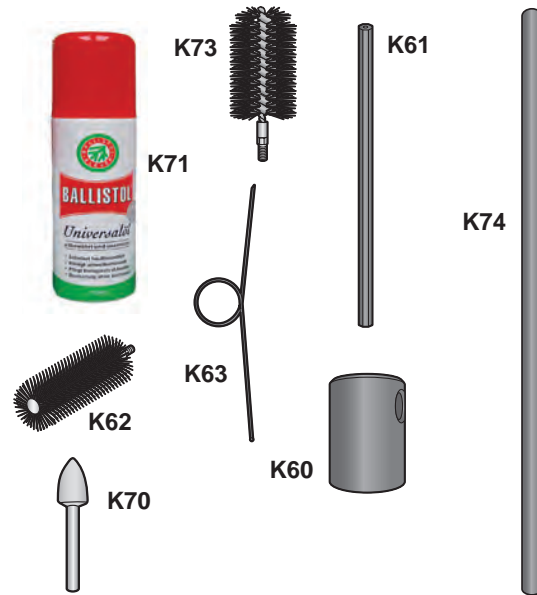
ALFA # DESCRIPTION

Delivered with Device

K60	Spanner for Cartridge Breech K19
K61	Bar for Spanner (K60) and Cleaning Brush (K62)
K63	Mounting Hook
K64	Mounting Bar for Distance Brush K57 (Type KC only)

Available Separately

K62	Cleaning Brush (short, Steel, fine)
K70	Sharpening Stone Drill Bit for Bolt - Fits Electric Drill
K71	Ballistol- Lubricating Oil for Stunners (50ml Spray)
K72	Assembly Grease
K73	Cleaning Brush (long, Steel, coarse)
K74	Bar for Cleaning Brush K73
K75	Red Band to indicate Bolt Outlet

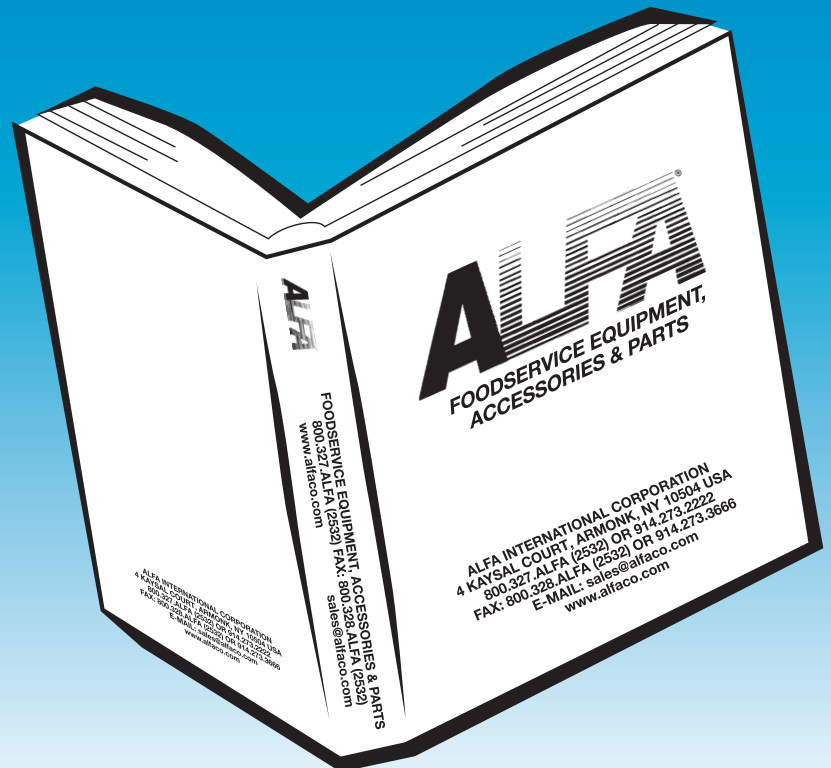


Need additional copies?

Or a 3-Ring Binder?

Let us know! You can also find our products and pricing on AutoQuotes and, of course, at alfaco.com – where the following tab PDFs are easily downloaded:

1. Dishwasher, Oven & Fryer Parts
2. Power Attachments
3. Mixers
4. Slicers
5. Grinders
6. Electrical Equipment
7. Manual Equipment & Tools
8. Miscellaneous Parts
9. Bandsaw
10. PackingHouse
11. Alfa Price List



Send catalog requests via email to sales@alfaco.com

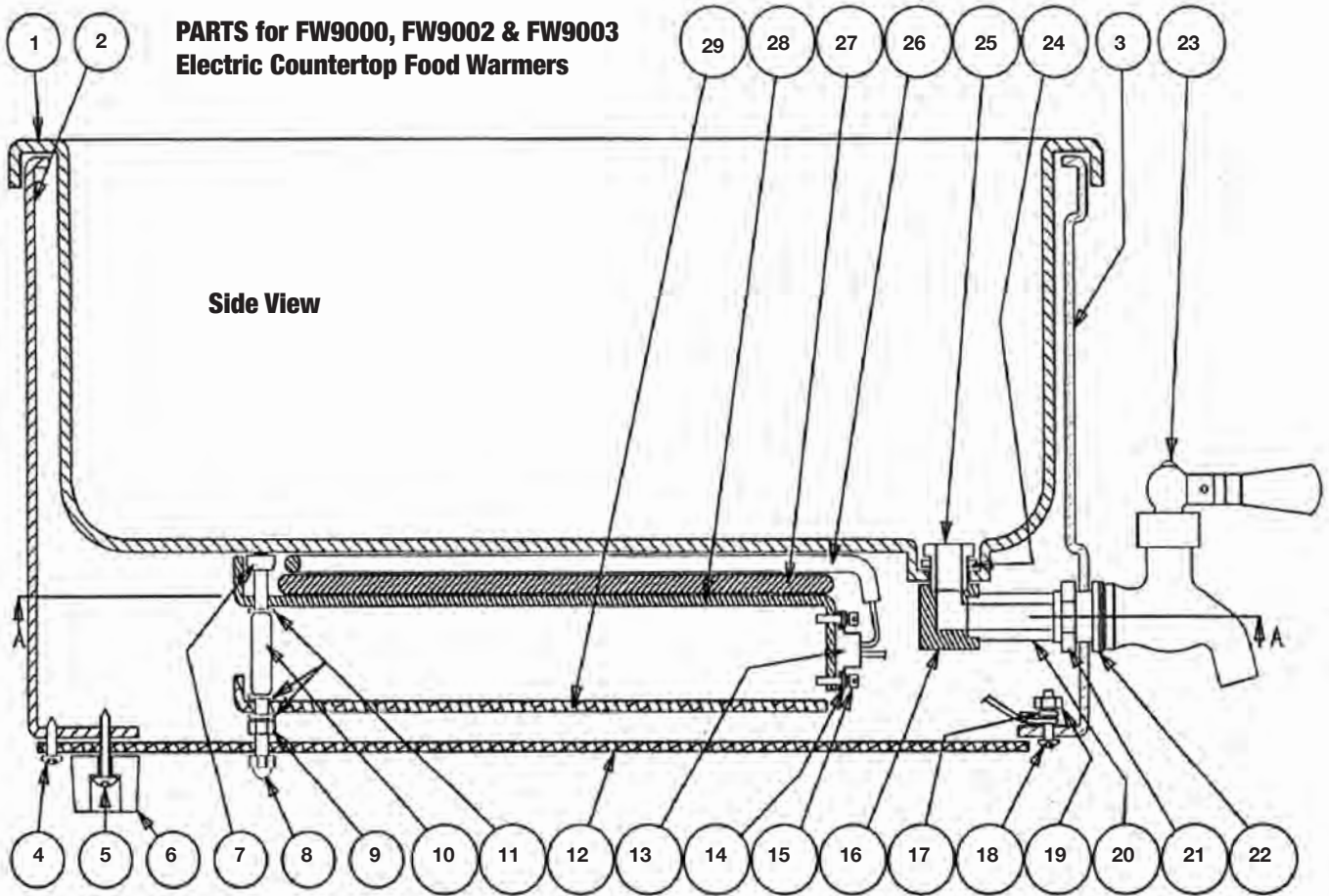
**Ask Us About
BULK PRICING
& Save BIG
Today!**

FAQS, SCHEMATICS and TIPS

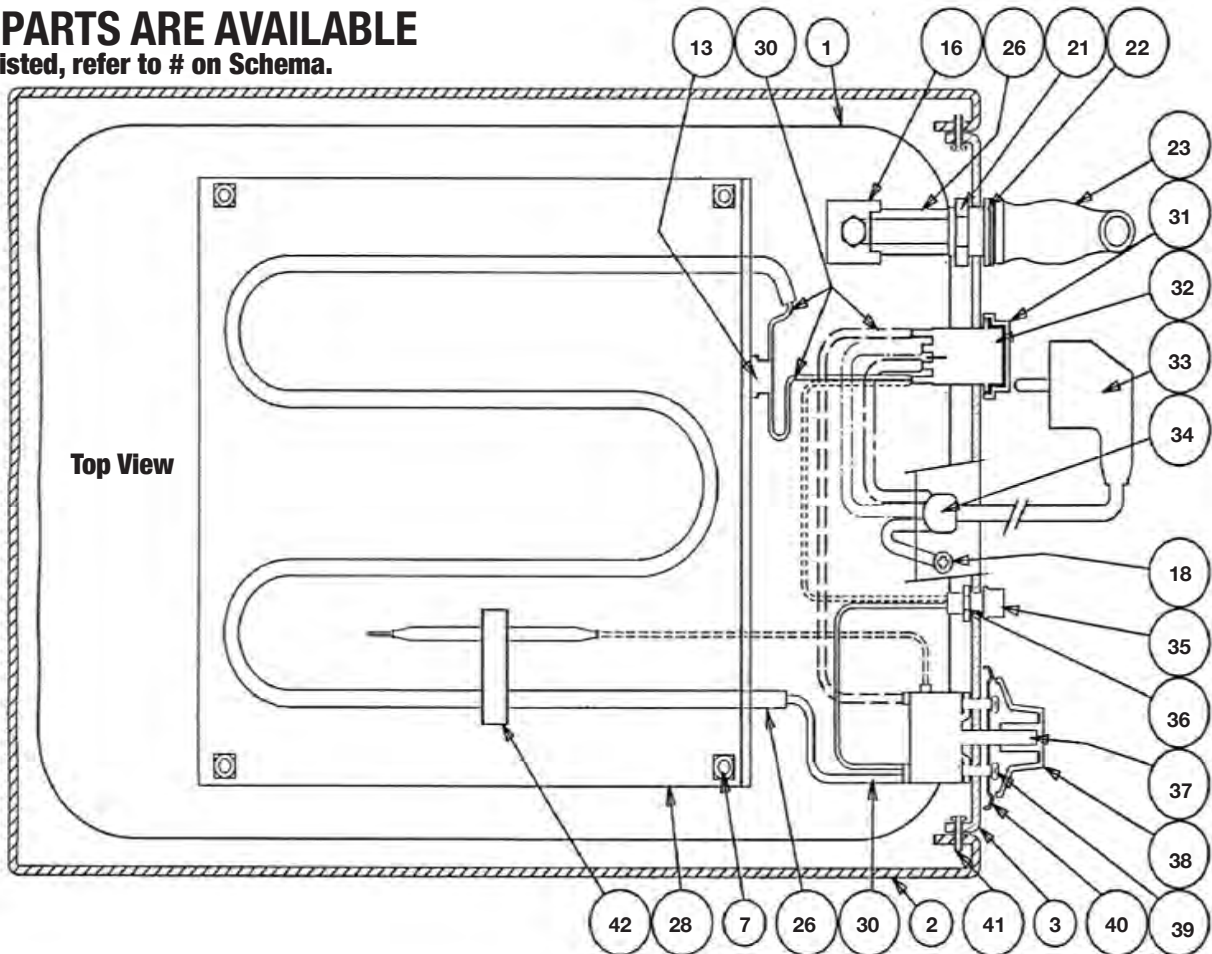
FOOD WARMER PARTS	164-165
PARTS FOR MEAT GRINDER	
POWER ATTACHMENTS	165
SOUP WARMER PARTS	166-167
TN-12 & FC-12 PARTS	168
OLIVER BREADSLICER TIPS	169
QUICK CREAM PARTS	169
ELMECO ABB PARTS	170
ELMECO AFCM PARTS	171
FAMA CHEESE GRATER PARTS	172
MC₅ MEAT GRINDER PARTS	173
MC-12 MEAT GRINDER PARTS	174
MEAT GRINDER TIPS	175
MIXER TIPS	176
CREDIT APPLICATION	177
ALFA SALES POLICY	178
RETURN AUTHORIZATION REQUEST	179
ALFA SHIPPING POLICIES	180

FOOD WARMER PARTS

**PARTS for FW9000, FW9002 & FW9003
Electric Countertop Food Warmers**



ALL PARTS ARE AVAILABLE
If not listed, refer to # on Schema.



PARTS for ALFA FOOD WARMERS

(FW9000, FW9002, FW9003)
See Diagrams on Opposite Page

# ON SCHEMA	ALFA PART #	DESCRIPTION
5	FW9000	FOOT & SCREW
4	FW9004	FIXED SCREW FOR COVER
8	FW9008	SCREW
10	FW9010	M6 SCREW
13	FW9013	LIMIT SWITCH-L160-20C
14	FW9014	SP WASHER
15	FW9015	M/M SCREW
16&20	FW9016/20	INTERNAL FAUCET FIXTURE & DRAIN
17	FW9017	SP WASHER
18	FW9018	COVER SCREW
19	FW9019	NUT /SCREW
23	FW9023	FAUCET-HEAVY DUTY CHROME
24&25	FW9024/25	DRAIN WITH MESH & SEAL
27	FW9027	FIBRE PROTECTION
28	FW9028	COVER HEATER
30	FW9030	HEATING ELEMENT
31	FW9031	SWITCH COVER
32	FW9000-SWIT	ON/OFF ROCKER SWITCH (9032)
33	FW9033	ELECTRICAL CORD+PLUG
34	FW9034	STRAIN RELIEF FOR POWER CORD
35	FW9035	NEON INDICATOR LIGHT (YELLOW)
36	FW9036	SCREW FOR NEON LIGHT
37	FW9037	THERMOSTAT SWITCH
38	FW9038	KNOB (DIAL)
42	FW9042	THERMOSTAT STAND-OFF
43	FWD9043	SST LID FOR DUAL FOOD WARMER COMPLETE WITH HINGE
44	FWD9044	PLASTIC COLLAR FOR DUAL FOOD WARMER- (2 REQ.)
45	FWD9045	S/S ADAPTER PLATE FOR DUAL WARMER W/2 HOLES
46	FWD9046	S/S INSERT CANNISTER FOR DUAL FOOD WARMER (8 QT)



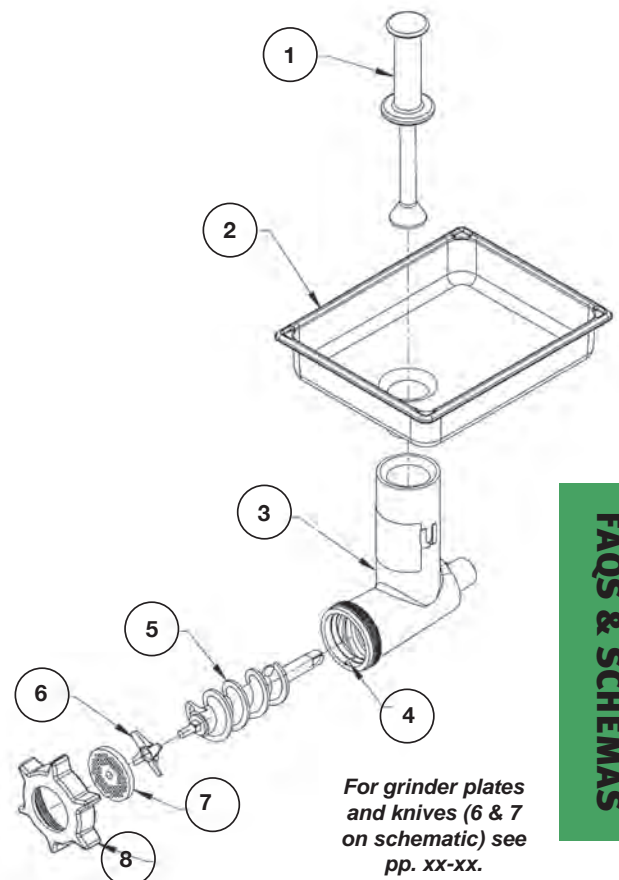
PARTS for ALFA MEAT GRINDER POWER ATTACHMENTS

12 SS CCA		
# ON SCHEMA	ALFA PART #	DESCRIPTION
3	12 SS CYL	CYLINDER (Not sold separately)
2	12 SS PAN	PAN
8	12 SS RING	RING
1	12 SS STOMPER	PLASTIC STOMPER
5	12 SS WORM	WORM/FEEDSCREW, STUD & WASHER

12 H CCA		
# ON SCHEMA	ALFA PART #	DESCRIPTION
3	12 H CRW	CHOPPER CYLINDER INCLUDES RING (8) & WORM (5)
2	12 H PAN	S/S PAN
8	12HR	RING
5	12HW	WORM
1	HST-6	STOMPER

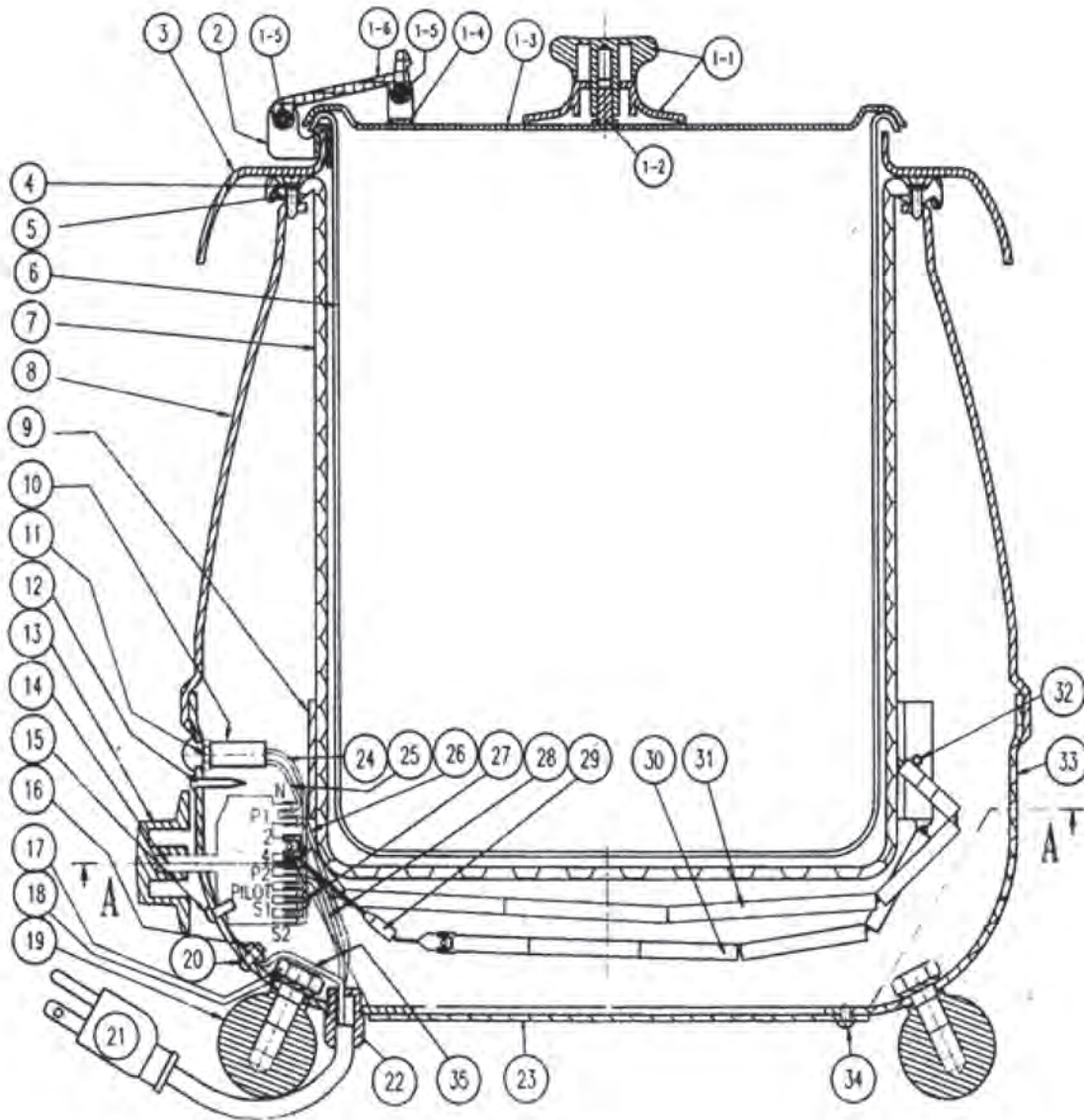
22 H CCA		
# ON SCHEMA	ALFA PART #	DESCRIPTION
3	22 H CYLINDER	CYLINDER WITH BRASS WASHER
2	22 H PAN	PAN
8	22HR	RING
5	22HW	WORM

22 SS CCA		
# ON SCHEMA	ALFA PART #	DESCRIPTION
5	22 SS CYLINDER	CYLINDER (Not sold separately)
2	22 H PAN	PAN
8	22 SS RING	RING
5	22 SS WORM	WORM



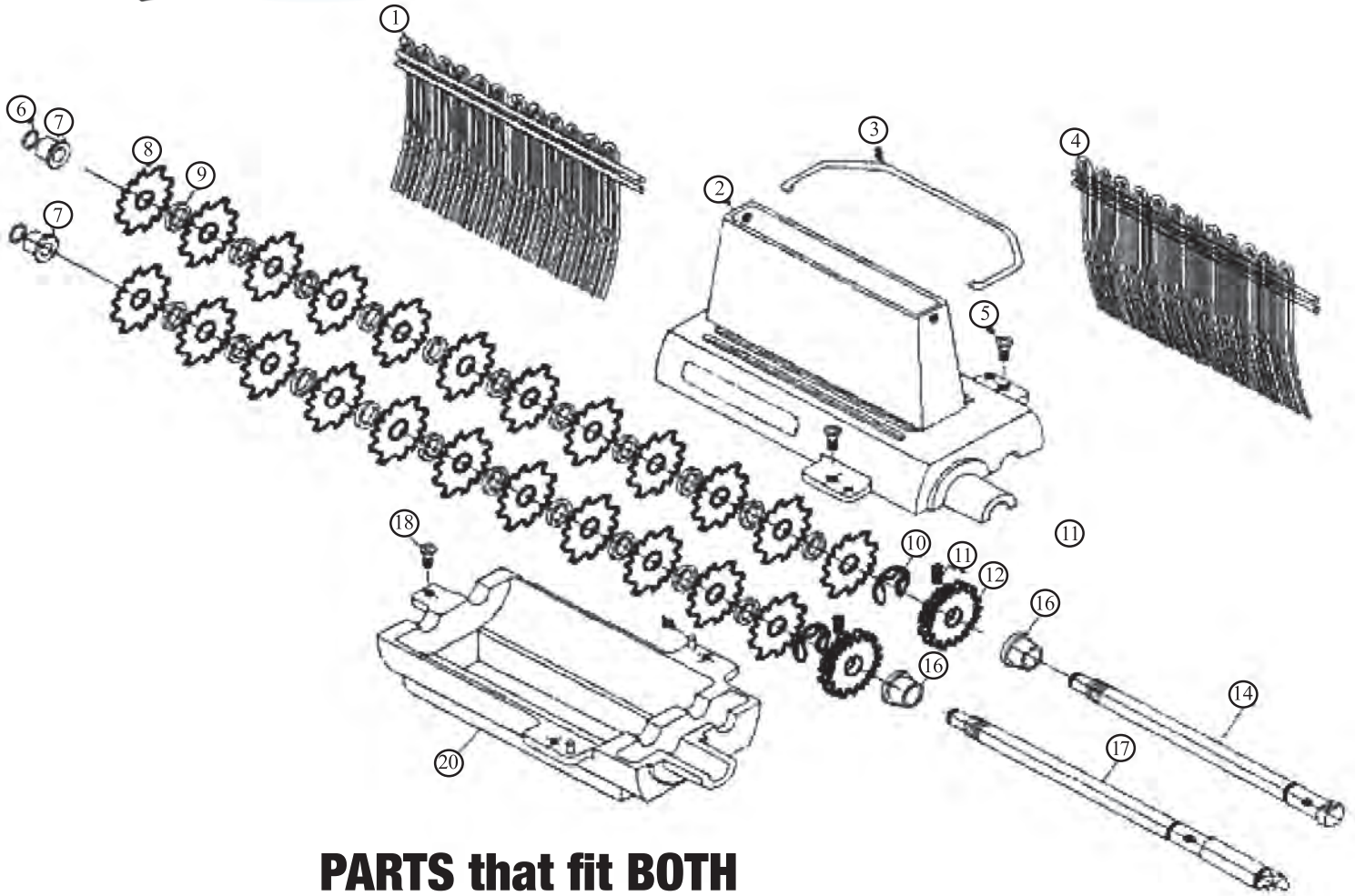
FAQS & SCHEMAS

PARTS for ALFA SOUP WARMER SW6000



# ON SCHEMA	PART #	DESCRIPTION
18	SW618	LEG WASHER (Part of SW619)
19	SW619	LEG
20	SW620	ROUND WIRE SCREW
22	SW622	STRAIN RELIEF POWER CORD
23	SW623	KETTLE BOTTOM COVER
24	SW624	NEON LIGHT WIRE (Part of SW610)
25	SW625	NEON LIGHT WIRE FOR SWE6000 (Part of SW610)
26	SW626	CONNECTION WIRE (Part of SW614)
27	SW627	CONNECTION WIRE (Part of SW614)
28	SW628	CONNECTION WIRE (Part of SW614)
29	SW629	FUSE
30	SW630	HEATING WIRE WITH CERAMIC TUBE (Part of SW609)
31	SW631	HEATING WIRE WITH CERAMIC TUBE (Part of SW609)
32	SW632	HEATING CIRCLE SCREW (Part of SW609)
34	SW634	COVER SCREW
35	SW635	GROUND WIRE
36	SW636	THERMAL CUT OFF

PARTS for ALFA TENDERIZER / FAJITA-CUTTER POWER ATTACHMENTS

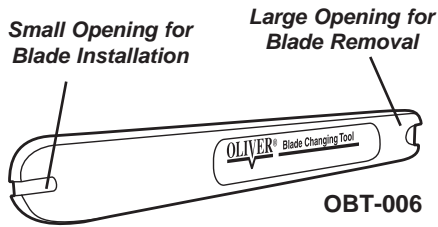


PARTS that fit BOTH FC-12 and TN-12

FIG. #	ALFA PART #	DESCRIPTION
1 & 4	TN/FC12-01	STRIPPER COMB (Fits both FC-12 & TN-12)
2	TN/FC12-02	UPPER CHAMBER (Fits both)
3	TN/FC12-03	HANDLE (Fits both)
5	TN/FC12-05	THUMB SCREWS (Fits both)
6	TN/FC12-06	SNAP RING (Fits both)
7	TN/FC12-07	SHAFT PROTECTOR (A) (Fits both)
9	TN/FC12-09	SPACER (Fits both)
11	TN/FC12-11	PIN (Fits both)
14	TN/FC12-14	BARE SHAFT (Fits both)
16	TN/FC12-16	BUSHING/PLASTIC SHAFT PROTECTOR (Fits both)
17	TN/FC12-17	BARE SHAFT FOR TN-12 & FC-12 (Fits both)

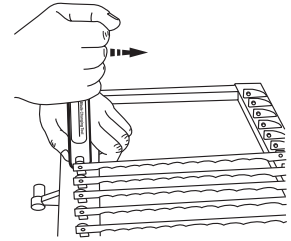
OLIVER BLADE CHANGING TOOL INSTRUCTIONS

WARNING: BLADES ARE VERY SHARP - WEAR CUT RESISTANT GLOVES WHEN HANDLING BLADES



OLD BLADE REMOVAL

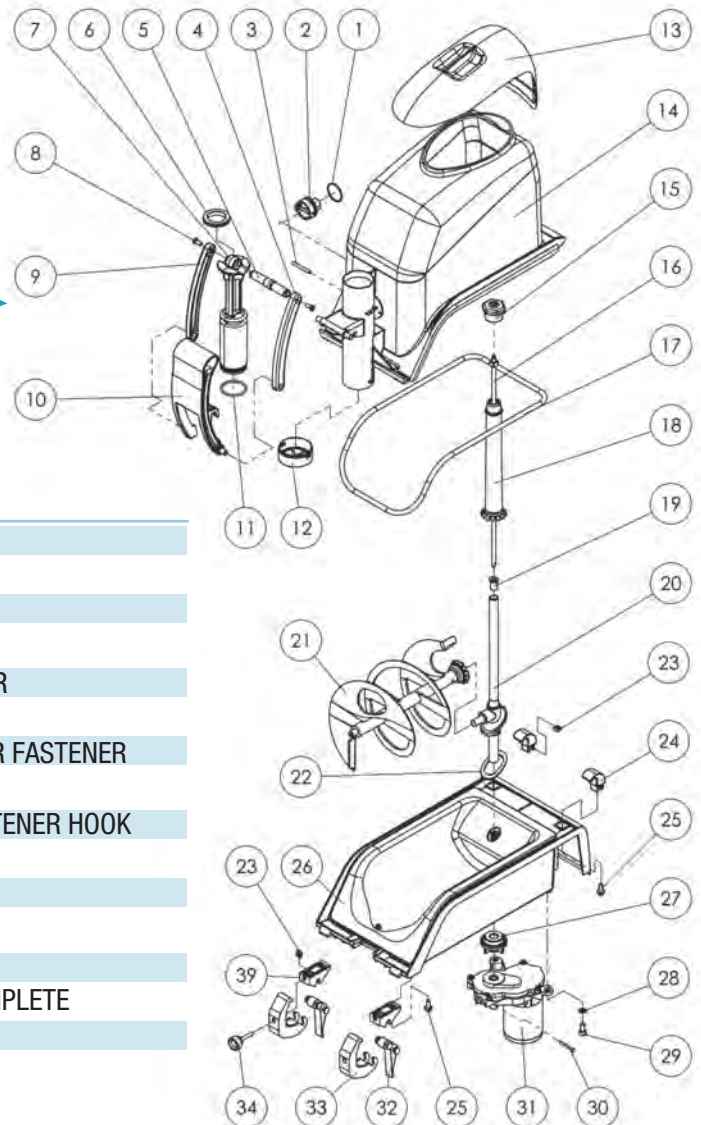
1. Place the tool's large opening onto the blade tensioning pin.
2. Relieve the tension of the blade by pushing on the other end of tool.
3. Snap all of the blades off this way.



ALFA PARTS for ELMECO QUICK CREAM (QK-RM) Soft Serve Gelato Machine

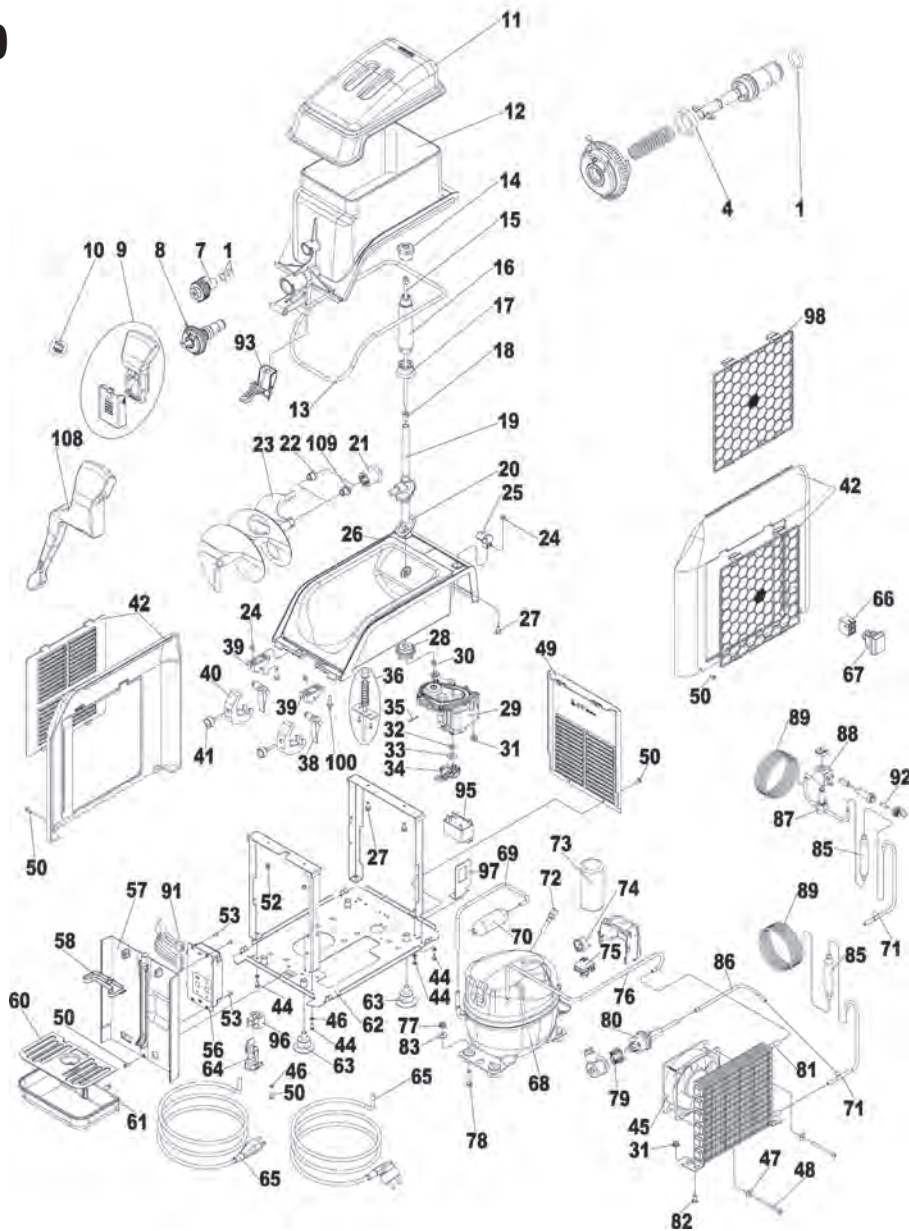
ALL PARTS ARE AVAILABLE
If not listed below, refer to # on Schema.

PIC #	ALFA #	DESCRIPTION
10	QKRM-10	POLYCARBONATE HANDLE
12	QKRM-12	STAR SUPPLY VALVE
14	QKRM-14	TRANSPARENT TANK
17	QKRM-17	TANK GASKET
18	QKRM-18	VERTICAL AUGER + BUSHING + GEAR
21	QKRM-21	HORIZONTAL AUGER
24	QKRM-24	TRANSPARENT POLYCARBONATE REAR FASTENER
31	QKRM-31	BRUSHLESS GEARMOTOR 24VDC
33	QKRM-33	TRANSPARENT POLYCARBONATE FASTENER HOOK
41	QKRM-41	TRAY CONDENSATE
43	QKRM-43	GREY PLASTIC DRIP TRAY
44	QKRM-44	WHITE DRIP TRAY
48	QKRM-48	ELECTRONIC BOARD
50	QKRM-50	ELECTRONIC DRIVER BRUSHLESS COMPLETE
89	QKRM-89	FAN A1175HBT 115V 50/60HZ
18	B0004113-001	VERTICAL AUGER



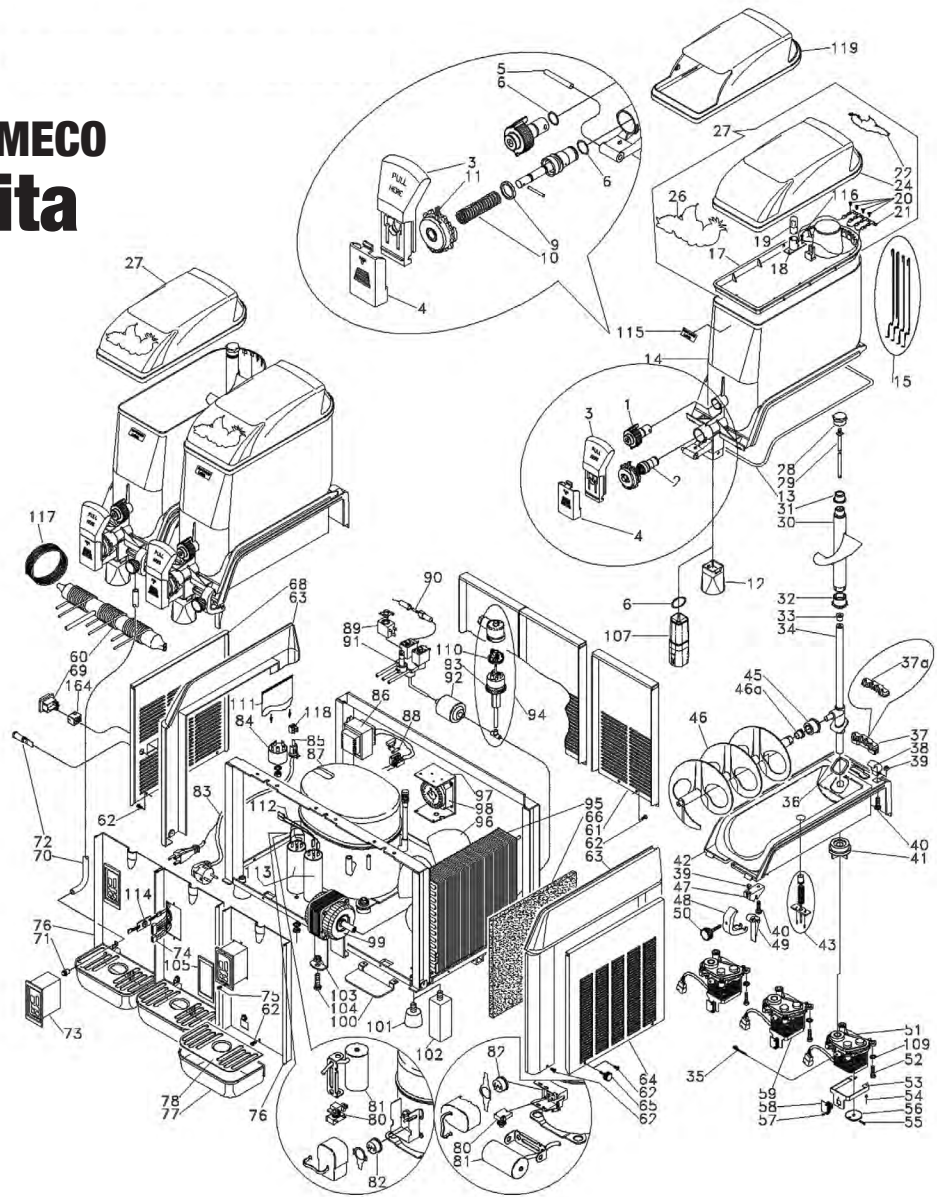
ALFA PARTS for ELMECO ABB Granita Machine

**ALL PARTS
ARE AVAILABLE**
If not listed below, refer to
on Schema.



PIC #	ALFA PART #	DESCRIPTION
12	L0000115-002	TRANSPARENT TANK COMPLETE
19	L0000116-001	TRANSMISSION SHAFT WITH O-RING
25	M0006103-003	BLACK HINGE HOOK
11	L0006104-003	TRANSPARENT TOP
56	L005102-001	ELECTRONIC BOARD
39	M0006116-003	BLACK BASE
24	M0000120-001	M5 SQUARE NUT
23	L0004103-002	HORIZONTAL AUGER COMPLETE
10	A0006111-001	PULL HERE STICKER
9	M0003139-001	BLACK HANDLE & COVER
4	M0003117-001	OUTLET RESTRICTOR
41	M0006119-001	LOCKING BOLT
16	L0004104-001	VERTICAL AUGER COMPLETE
61	M0006110-004	BLACK DRIP TRAY
60	A0006117-001	PLASTIC DRIP TRAY
89	P002110-001	CAPILLARY

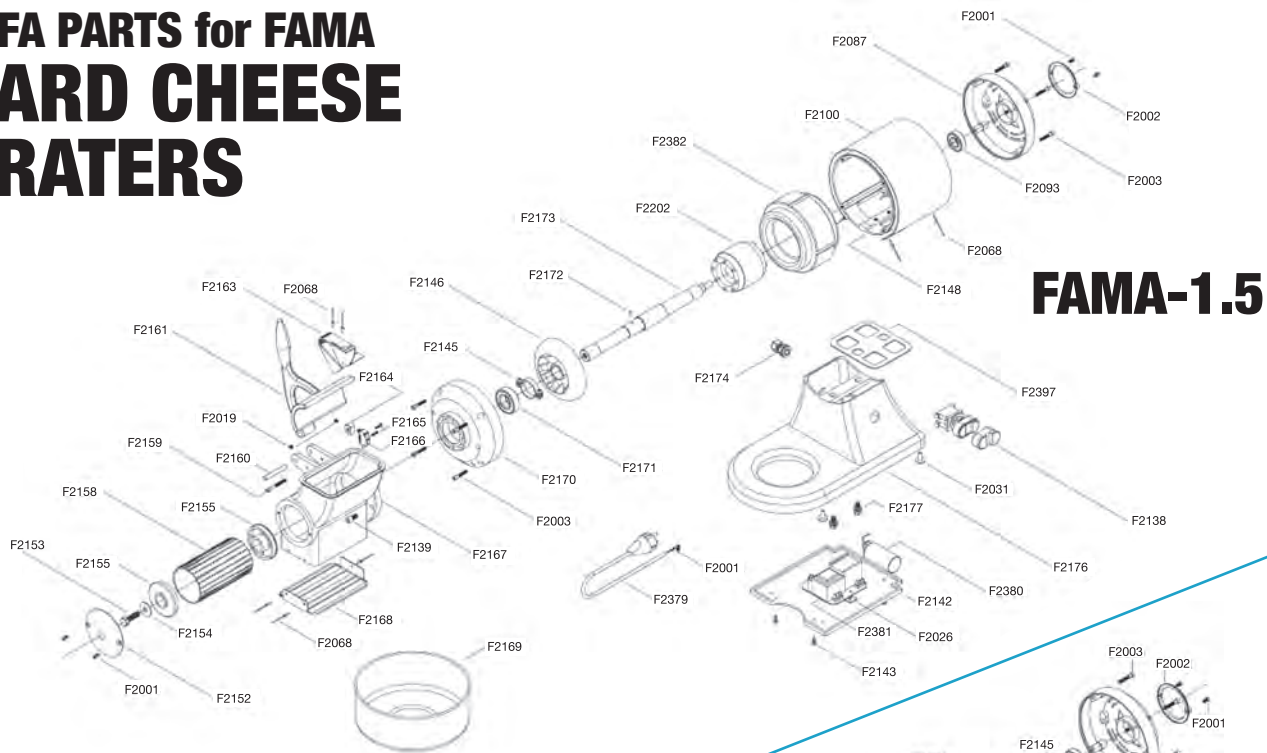
ALFA PARTS for ELMECO AFCM Granita Machine



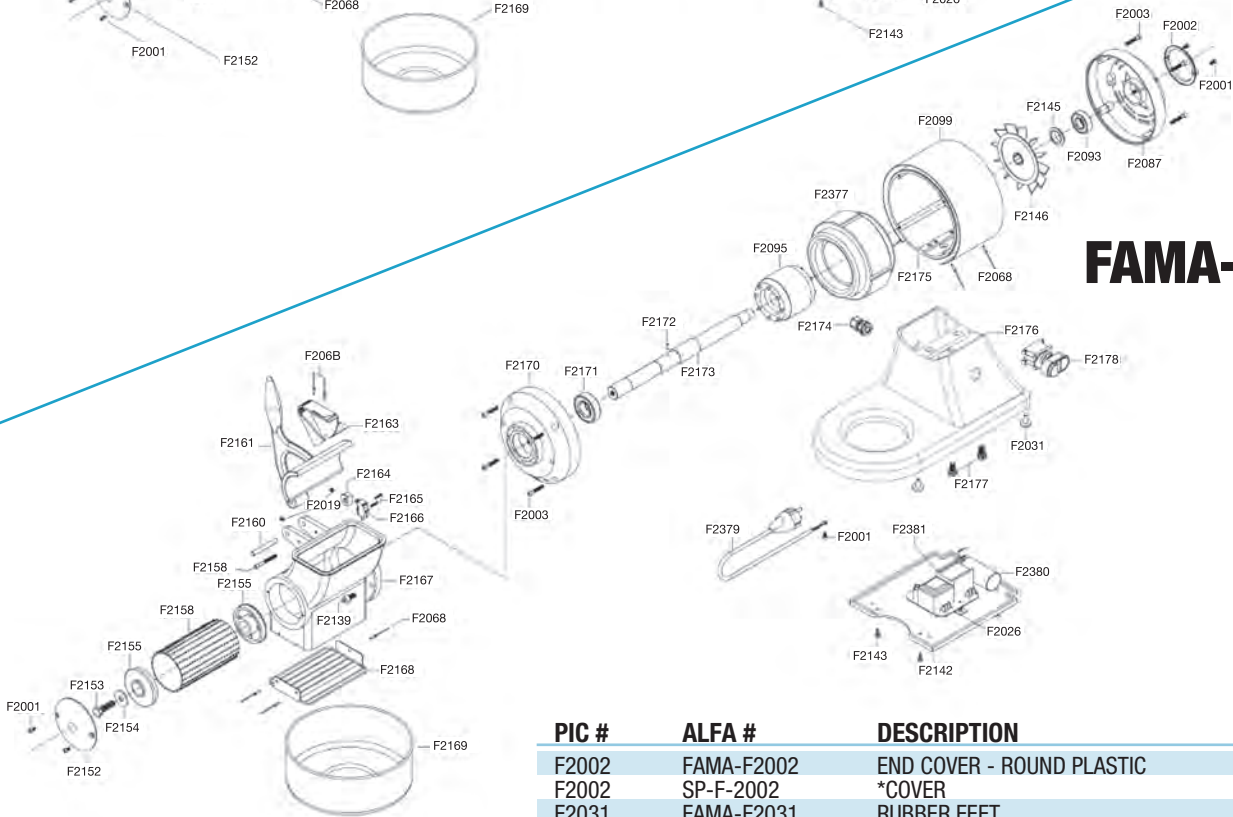
PIC #	ALFA PART #	DESCRIPTION
14	AFCM-14	TRANSPARENT TANK COMPLETE
19	AFCM-19	LAMP 10W/12VAC
48	M0006102-003	BLACK HINGE HOOK
27	M0006125-005	TANK COVER - BLACK FOR AFCM
73	AFCM-73	TRADITIONAL ELECTRONIC BOARD FOR AFCM-3
47	M0006116-003	BLACK BASE
39	M0000120-001	M5 SQUARE NUT
46	M0004110-001	HORIZONTAL AUGER -
9	AFCM-9	OUTLET BACK GASKET
3	M0003139-001	BLACK HANDLE & COVER
107	M0003130-001	OUTLET RESTRICTOR
5	M0006119-001	LOCKING BOLT
46	HORIZ-AUGER	HORIZONTAL AUGER
30	VERT-AUGER	VERTICAL AUGER
78	AFCM-78	DRIP TRAY INSERT FOR USE WITH AFCM-77
117	AFCM-117	FC1 CAPILLARY 0,91MMX2,75MT

FAQS & SCHEMAS

ALFA PARTS for FAMA HARD CHEESE GRATERS



FAMA-1.5

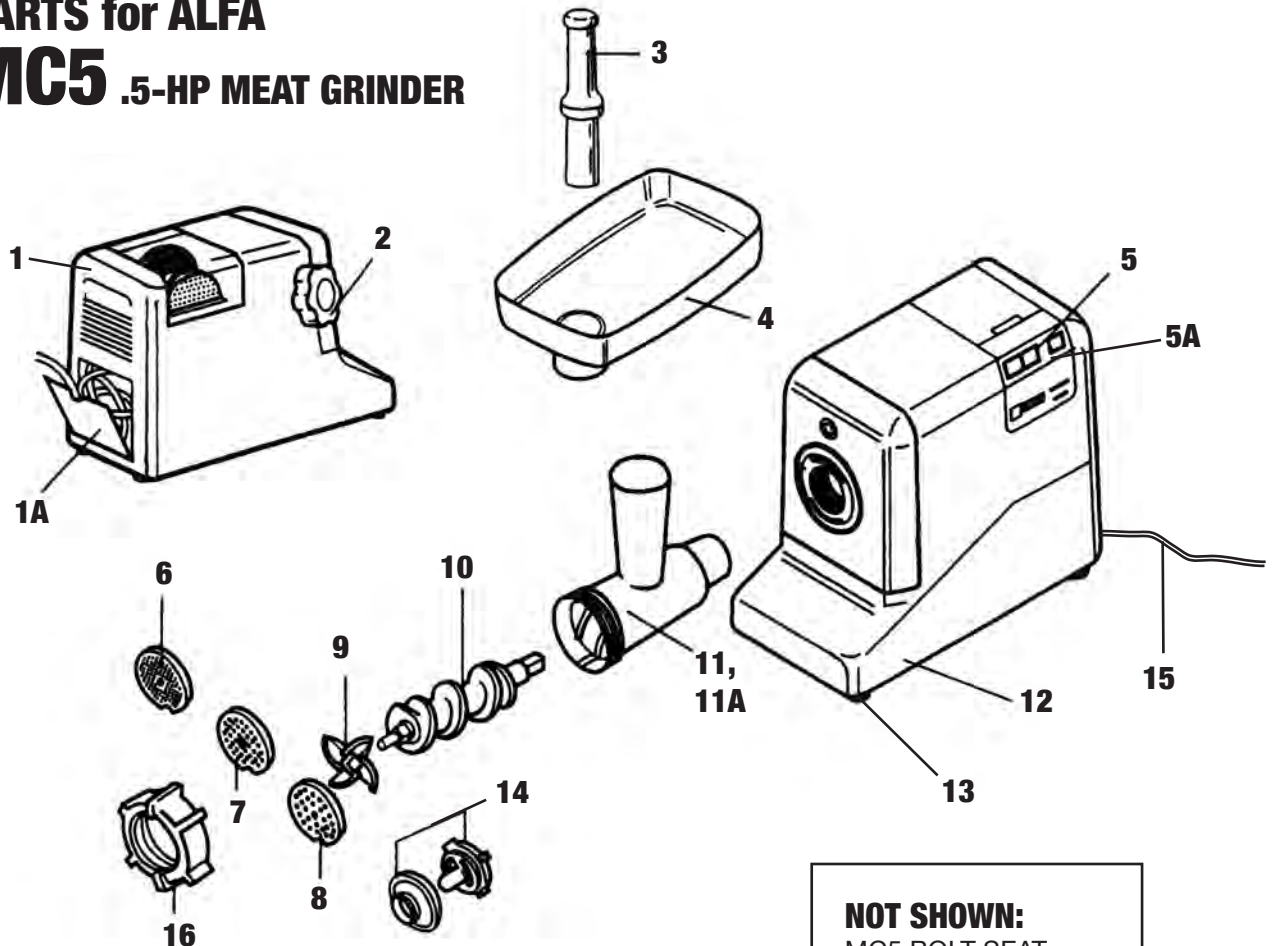


FAMA-1

**ALL PARTS
ARE AVAILABLE**
If not listed below, refer to
on Schema.

PIC #	ALFA #	DESCRIPTION
F2002	FAMA-F2002	END COVER - ROUND PLASTIC
F2002	SP-F-2002	*COVER
F2031	FAMA-F2031	RUBBER FEET
F2087	FAMA-CAP	*END CAP FOR FAMA-DRUM
F2138	FAMA-F2138	ON/OFF SWITCH
F2138	SP-F-2138	*SWITCH
F2152	FAMA-F2152	PLASTIC COVR 4"/100mm FAMA 1.5
F2161	FAMA-HANDLE	HANDLE (ALL MODELS)
F2163	FAMA-F2163	MICROSWITCH COVER
F2166	FAMA-F2166	INTERLOCK SWITCH
F2169	FAMA-F2169	BOWL FOR FAMA 1 HP & 1.5 HP
F2170	FAMA-COVER	COVER FOR MOTOR END OF CHEESE GRATER
F2176	FAMA-F2176	BASE FOR FAMA 1 HP & 1.5 HP
F2177	FAMA-F2177	SET of 4 SCREWS 8 X 25 FOR FAMA 1.5
F2177	SP-F-2177	*SCREW 8 X 25 (FAMA 1.5)
F2373	FAMA-F2373	REPLACEMENT MOTOR - FAMA-1/2 110V/60HZ
F2377	FAMA-F2377	REPLACEMENT MOTOR FOR FAMA-1 110V/60HZ
F2380	FAMA-F2380	CAPACITOR
F2381	FAMA-F2381	CIRCUIT BOARD - FAMA-1 & 1.5
F2381	SP-F-2381	*FAMA TRANSFORMER
F2382	FAMA-F2382	REPLACEMENT MOTOR - FAMA-1.5 110V/60HZ
F2399	FAMA-F2399	S/S DRUM
F2587	FAMA-F2587	CAPACITOR

PARTS for ALFA MC5 .5-HP MEAT GRINDER



NOT SHOWN:

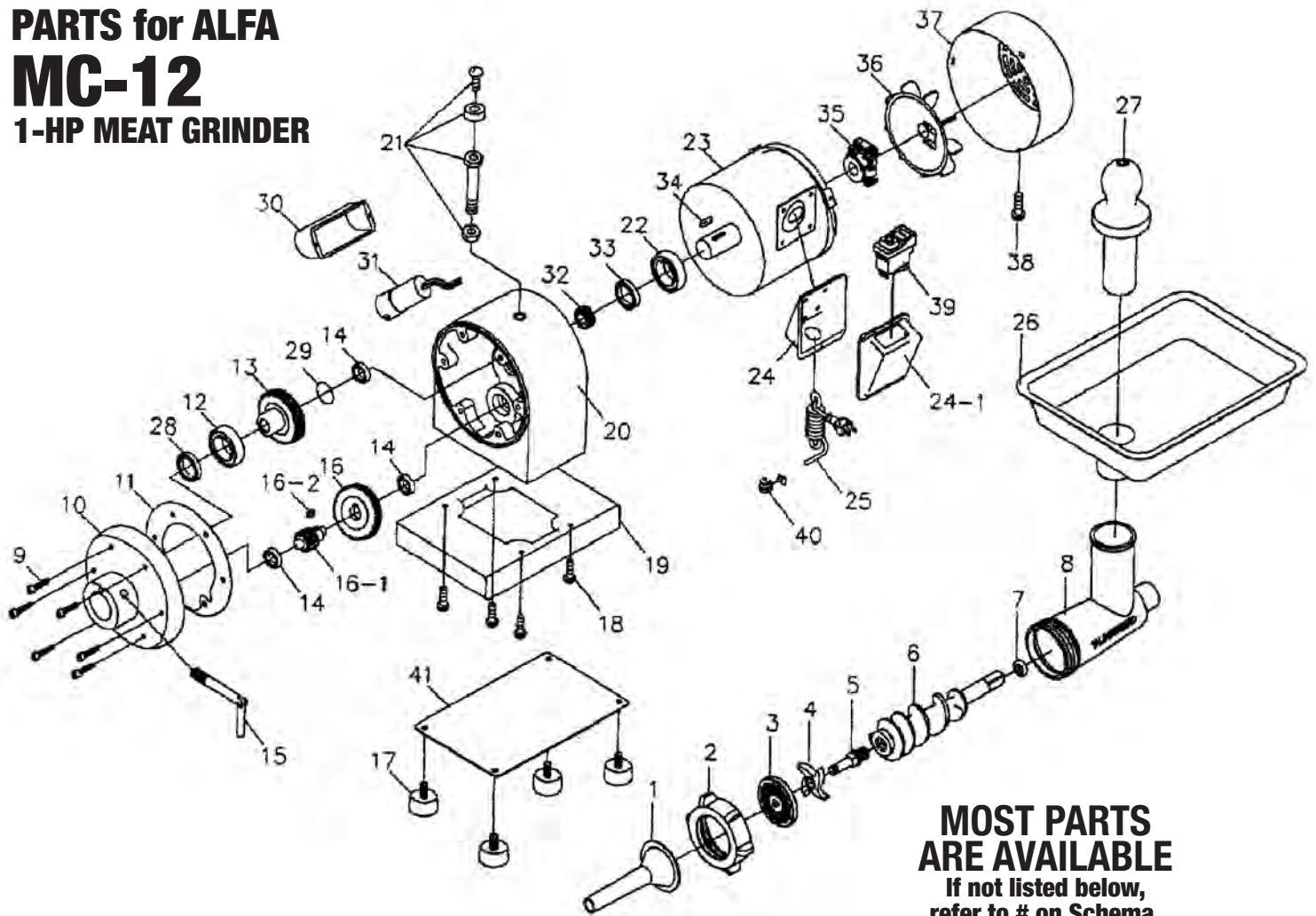
MC5 BOLT SEAT
(BOLT SEAT)
MC5 WASHER KIT
(WASHERS, WORM)
MC5 GEAR PL
(PLASTIC GEAR)
MC5 GEAR MTL
(METAL GEAR)

PIC #	ALFA #	DESCRIPTION
1	MC5 ACCESSORIES COVER	PLASTIC COVER
1A	MC5 CORD COVER	POWER CORD COVER
2	MC5 KNOB	LOCKING KNOB
3	MC5 STOMPR	PLASTIC STOMPER, 9"
4	MC5 PAN	STAINLESS STEEL PAN
5	MC5 SWITCH	ON/OFF SWITCH
5A	SWITCH COVER	SWITCH COVER
6	MC5 12 1/8	FINE GRINDER PLATE (1/8")
7	MC5 12 3/16	MEDIUM GRINDER PLATE (3/16")
8	MC5 12 5/16	COARSE GRINDER PLATE (5/16")
9	MC5 KNIFE	CHOPPER KNIFE - S/S #12, STAR SHAPED
10	MC5 FEED SCREW ASSEM	S/S WORM (INCLUDES WASHER)
11	MC5 CYLINDER	CHOPPER CYLINDER ALONE
11A	MC5 CCA	ASSEMBLY (INCLUDES CYLINDER, RING, WORM, PAN, STOMPER, KNIFE & PLATE)
12	MC5 BODY	WHITE PLASTIC BODY
13	MC5 FEET	FEET (PKG / 4)
14	MC5 KUBBE SET	PLASTIC KUBBE KIT
15	MC5 CORD	POWER CORD
16	MC5 RING	TIGHTENING RING

PARTS for ALFA

MC-12

1-HP MEAT GRINDER



PIC #	ALFA #	DESCRIPTION
27	MC-12 STOMPER	STOMPER/PRODUCT PUSHER
2-8, 26&27	MC-12 HEAD	ASSEMBLY, COMPLETE GRINDER HEAD
26	MC-12 PAN	S/S PAN
2	MC-12-02	SCREW RING
5	MC-12-05	SQUARE STUD
7	MC-12-07	PLASTIC WORM BUSHING
8	MC-12-08	BODY
11	MC-12-11	OIL SEAL
12	MC-12-12	BEARING
13	MC-12-13	GEAR SQUARE HOLE
14	MC-12-14	BEARING
15	MC-12-15	LOCK SCREW
23	MC-12-23	REPLACEMENT MOTOR
28	MC-12-28	OIL SEAL
29	MC-12-29	WASHER
36	MC-12-36	#36 FAN
37	MC-12-37	#37 FAN COVER
39	MC-12-39	#39 GREEN/RED SWITCH

MEAT PROCESSING TIPS

Never run your meat grinder dry. Always have meat in the hopper and lubrication on the plate & knife cutting edges before you turn the machine on. A dry plate and knife can heat up quickly resulting in discolored meat and possible damage to the machine itself.

Clean your grinder frequently and thoroughly. Remove all meat build-up from the plate surface and edges so the plate seats on the inside of the grinder ring properly. Also clean the threads on the head and the ring so it will tighten easily by hand.

DIMENSIONS GRINDER PLATES

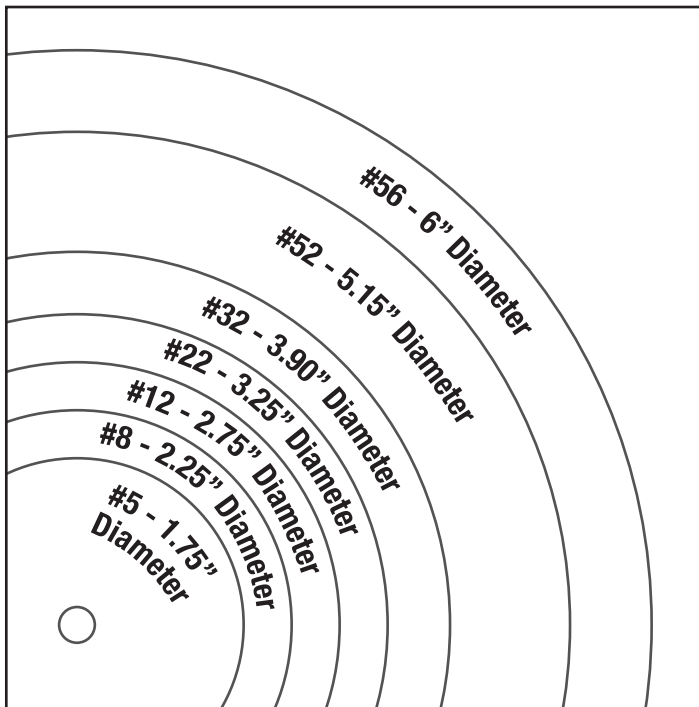


Diagram shows diameter sizes for commonly-used grinder plates. (Drawing not to scale.)

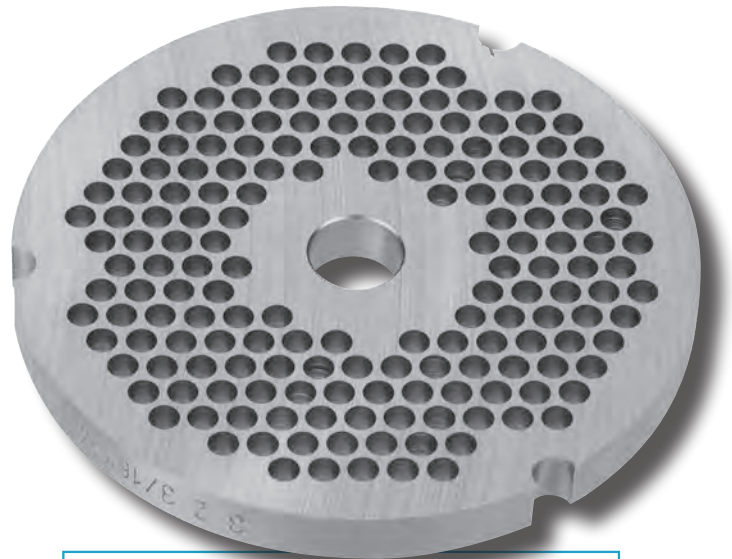


PLATE SPECIFICATIONS

PLATE SIZE	# OF NOTCHES	PLATE DIAMETER	PLATE THICKNESS
5	1	2.10"	.26"
8	1	2.40"	.26"
12	1	2.75"	.32"
22	1	3.25"	.36"
32	3	3.90"	.43"
52	3	5.06"	.56"

SERVICE TIPS

- Tighten the End Ring hand-tight only. Over-tightening the ring is a common problem. See our ring-tightening hand tool, p. 74.
- Always use the same Knife and Plate together. Always use a new knife with a new plate or side.
- Never operate grinder without meat or some food-safe lubricant, such as mineral oil, present on the plate surface. This is doubly important because for many manufacturers, failure to use adequate lubrication will void the warranty on their grinders. See lubricants, p. 120-121.

AVOIDING “MUSHY MEAT”

The ‘mush’ comes from the meat being pushed by the feedscrew through the plate holes but not being cut cleanly by the grinder knife. This can happen if the knife and plate are dull, or if the tension between plate and knife insufficient to allow the knife to cleanly cut the meat. How to tell if the tension between the plate and knife is set properly: the ring can tighten the plate tight against the knife. This can only occur if the plate protrudes out of the cylinder somewhat, allowing the ring to contact the plate and tighten it against knife. Most feedscrews have a washer on the rear feed-screw’s round shaft, and this washer can wear out or get lost. This allows the feedscrew to insert too far into the cylinder, allowing the plate to recess into the cylinder instead of protruding out. Also, meat ground too many times will become ‘mushy’.

MIXER TIPS

Agitator Clearance

Due to variations in bowls and agitators, it is RECOMMENDED that the agitator clearance be checked and adjusted if necessary with every bowl or agitator change. The instructions below are a beginner's guide to doing this adjustment and are not intended to be complete.

Lower the bowl lift to its bottom stop. Position the bowl square alignment bracket on the back; the alignment pins in the bowl lift fit into the alignment holes of the bowl. Raise the bowl yoke until the bowl is seated. Lock the bowl in place by rotating the bowl clamps over the ears of the bowl.

With the bowl in place and the lift at its bottom stop, push the agitator shank up on the shaft and turn clockwise until the drive pin of the shaft latches in the L-shape slot of the agitator shank.

Mixer Speeds

SPEED #1 (Low) is for heavy mixtures like dough, heavy batters and potatoes.

SPEED #2 (Medium – Low) is for mixing cake batters, mashing potatoes and for developing dough.

SPEED #3 (Medium – High) is for the maximum incorporation of air into light batches. The “D” whip is used for whipping cream, beating egg whites, mixing; light icings, meringues and whipping.

SPEED #4 (High) is for accelerated and maximum air incorporation into light batches.

How to Extend a Mixer's Life Cycle

Mixer maintenance remains easy due to the fact these products tend to be a relatively simple piece of equipment with minimal parts. Even so, foodservice operators need to follow a few simple steps to get the most out of this equipment. Please note that the list below contains general maintenance information and should not serve as a substitute for the manufacturer's requirements and recommendations.

1. Clean mixers daily with hot, soapy water. Remove bowls and place them in the warewasher for cleaning. Foodservice operators can remove the guards and either put them in the warewasher or wash by hand. Wipe the unit's base with a damp cloth at the end of the day.
2. Refrain from using high-pressure water hoses to clean a mixer. Water can contaminate and damage its internal components.
3. Check and lubricate, periodically, gear boxes located inside planetary mixers.
4. Regularly check and, when necessary, replace belts on belt-driven mixers.
5. With some mixers, agitator clearance can change over time. When the distance changes between the bowl and agitator unit, it can compromise the mixing results. For this reason, the clearance between the bowl and agitator should be checked every six months.
6. Keep a maintenance log that documents the mixer's history and assists service technicians in troubleshooting if the unit is inoperable.

ADAPTABLE Agitator Guide

30BA	30-Qt. adaptable beater fits 60-Qt. mixers (when used with 30 BWSSA bowl fitted with bowl adapter)	40BA	40-Qt. adaptable beater paddle fits 60, 80 & 140-Qt. Mixers (when used with 40 BWSSA bowl fitted with bowl adapter)
30WA	30-Qt. adaptable whip fits 60-Qt. mixers (when used with 30 BWSSA bowl fitted with bowl adapter)	40WA	40-Qt. adaptable whip fits 60, 80 & 140-Qt. Mixers (when used with 40 BWSSA bowl fitted with bowl adapter)
30DA	30-Qt. adaptable dough hook fits 60-qt. mixers (when used with 30 BWSSA bowl fitted with bowl adapter)	40DA	40-Qt. adaptable dough hook fits 60, 80 & 140-Qt. Mixers (when used with 40 BWSSA bowl fitted with bowl adapter)



CREDIT APPLICATION FORM

4 Kaysal Court, Armonk, NY 10504 USA
Phone: 800.327.2532 (ALFA) Fax 800.328.2532 (ALFA)
accounting@alfaco.com | www.alfaco.com

**To Request Terms, Please Supply
the Following Information**

Date: _____

Firm Name: _____ Phone: _____

Street: _____ Fax: _____

City: _____ State: _____ Country: _____ ZIP: _____

Firm Principals: _____ Years in Business: _____

Type of Business: Corporation Proprietorship Partnership

Resale #: _____ Email: _____ Web Site (URL): _____

Amount of Credit Requested \$ _____

Bank and Trade References

Please complete the section below or attach your preprinted list to this Application.

Bank: _____ Firm: _____

Address: _____ Address: _____

_____ ZIP: _____ _____ ZIP: _____

Phone: _____ Fax: _____ Phone: _____ Fax: _____

Acct.#: _____ Acct.#: _____

Firm: _____ Firm: _____

Address: _____ Address: _____

_____ ZIP: _____ _____ ZIP: _____

Phone: _____ Fax: _____ Phone: _____ Fax: _____

Acct.#: _____ Acct.#: _____

Personnel authorized to place orders by phone or in writing:

1. _____ 2. _____ 3. _____

The above information is provided for the purpose of the obtaining credit and warranted to be true. I/we hereby authorize Alfa International Corp. to investigate the references listed pertaining to my/our credit and financial responsibility.

It is understood that your information will be held in the strictest confidence and used only by Alfa's Credit Department.

I have received a copy of Alfa's current Sales Terms and Conditions and agree to abide by them.

Signed: _____ Title: _____

ALFA'S SALES POLICIES

PAYMENT TERMS: When opening a new account, here are several payment options:

- Net 30 Day Terms – Please include a copy of the ALFA Credit Application (pg 131).
- Credit Card – Visa, MasterCard, American Express & Discover are accepted.
- C.O.D. – Cash on Delivery.
(Title to all goods remains ALFA property until invoice is paid in full.)

MINIMUM ORDER & FEES:

- \$50.00 Minimum Order or \$15.00 service charge for smaller orders.
- \$5.00 Drop Ship – Drop Shipping is available for a nominal charge of \$5.00 per order and will be shipped “Blind/Neutral” to your customer.

PLACING ORDERS / ALFA BUSINESS HOURS:

- Email sales@alfaco.com
- Web www.alfaco.com
- Fax 800-328-2532 (ALFA)
- Call 800-327-2532 (ALFA)
- Please be sure to include your 7-digit Account # on your order!
- All order Cancellations must be received in writing
- Non-Stock/Special Orders are non-returnable

ALFA BUSINESS HOURS

Monday – Thursday

8:30 am – 5:00 pm

Friday

8:30 – 4:30 pm

PRICES:

- Prices shown are standard LIST prices, but are subject to change without written notice.

BACKORDERS:

- All Backorders will be shipped immediately upon ALFA inventory replenishment, regardless of order quantity & value, unless otherwise instructed.

WARRANTY:

All products sold by ALFA are warranted to be free from defects in material and workmanship and come with a “Bench” Warranty ranging from 6-12 months from Date of Invoice. (unless otherwise noted in catalog).

- A Bench Warranty requires a product to be sent back to the Manufacturer for inspection. Once assessed, if product is determined to be defective, it will be repaired or replaced at the sole discretion of the manufacturer.
- ALFA does not issue call tags
- Warranty shipments without an ALFA Return Authorization # (see RETURNS Section in ALFA'S SHIPPING POLICY pg 180) and/or sent Freight Collect will not be accepted under any circumstances.
- Replacement products and/or credits will not be extended to customers who have items that have not yet received Warranty Assessment Approval. If a customer insist on a replacement being sent prior to the Warranty Assessment, the new product will be NOT be considered a Warranty Replacement and the buyer will be responsible for the invoice and any repaired product covered under warranty.
- Product Warranties are voided in cases where the product has been found to be altered, abused, modified, damaged, improperly installed/maintained or operated contrary to the manual instructions.

REQUEST for RETURN GOODS AUTHORIZATION NUMBER

- * ALFA International **MUST approve ALL returns PRIOR to shipping** any item(s) back to ALFA. We will only issue a Return Authorization Number (RA#) once we have reviewed & approved your request.
- * You **MUST** include a copy of your invoice or the invoice # as proof of your purchase for all goods associated with your Request for Return.
- * **ALL** return requests **MUST** be made **within 60 days of invoice purchase date**, **UNLESS** the product is still under warranty and your return is based on a product defect claim.
- * Please fill out this form **COMPLETELY**, including signature and email or fax it back to us ASAP so we may process it promptly. **Incomplete forms WILL NOT be processed.** FAX **1-800-328-ALFA (2532)**

DATE: _____ ACCT. NAME: _____

ACCT. #: _____ ACCT. ADDRESS: _____

PHONE #: _____ ACCT. CONTACT: _____

FAX # : _____ CONTACT SIGNATURE: _____

EMAIL _____

R.A. #: _____ (For your reference: to be supplied by Alfa)

ALFA PART #	QUANTITY	SPECIFIC REASON for PRODUCT RETURN

NOTE: Please read the following terms & conditions. Failure to adhere to these instructions will VOID all returns.

- * Clearly mark the outside of your shipment & any related documents with your RA#. A copy of this form should be placed inside of your shipment. **RETURNS WITHOUT an ALFA issued RA# WILL NOT be ACCEPTED** under Any circumstances and returned to the sender at the sender's cost.
- * For any **unused** product to be considered for return, **it MUST be DEEMED SALEABLE as NEW & be in its original carton/packing to qualify for full credit.** Products that have been used **MUST be CLEANED & FREE of ALL WASTE and ANY COLLATERAL MATTER** before shipping. Returns that fail to meet these terms & conditions will be returned to the sender without approval, at the sender's cost & will result in credit forfeiture.
- * **ALL** return shipments **MUST be PREPAID & INSURED** via a traceable carrier (e.g. UPS). ALFA **DOES NOT** issue Call Tags & **DOES NOT** accept Freight Collect/COD Shipments. Please process your returns and ship them to: **ALFA International Corp. / Attn: (6 digit RA#)** at our address noted below.
- * Returns of unused/unopened products are subject to a 20% Restocking fee. Used merchandise Deemed Un-saleable as New may be repaired & returned at our discretion in lieu of credit or replacement and may be subject to additional restocking fees. Returns for repair are subject to an Evaluation Fee of US \$25.00 if the item is out of Warranty, Damaged, Altered, Unsanitary or found to be Defective as a result of misuse.

NOTE: This signed form signifies that the signee understands & agrees to ALFA's Return Policies & Conditions.



4 Kaysal Court, Armonk, NY 10504 • www.alfaco.com • sales@alfaco.com
 Phone: 800.327.ALFA (2532) / 914.273.2222 • Fax: 800.328.ALFA (2532) / 914.273.3666



SHIPPING POLICIES

STANDARD SHIPPING

All orders received via email, fax, phone, or in writing, Monday thru Thursday, before 4:00PM Eastern Standard Time (EST), or by 3:30PM on Friday, will ship the same business day.

DROP SHIPMENTS:

- \$5.00 Drop Ship - Drop Shipping is available for a nominal charge of \$5.00 per order and will be shipped "Blind/Neutral" to your end customer for Net 30 day & Credit Card customers only.
- Drop Shipments to residential addresses are subject to additional UPS surcharges and are the responsibility of the purchaser. WE CANNOT DROP SHIP PURCHASES TO FOREIGN COUNTRIES.

UNITED PARCEL SERVICE (UPS):

- ALFA sends most of its Domestic & Canadian ground shipments via UPS. UPS also offers Next Day, 2nd Day & 3rd day Select delivery services.
- ALFA can utilize other carriers for special requests & circumstances, but we pass on applicable surcharges imposed by those freight servers.
- All ALFA Invoices include the UPS Tracking Numbers which can be tracked at (www.ups.com).

MOTOR FREIGHT CARRIERS:

- Due to size and/or weight limitations of most ground shipment carriers (150 pounds per box for UPS), some shipments may require the use of a Truck Carrier.
- ALFA's preferred carriers are YRC & Central Transport for these types of shipments.
- Shipments sent via alternate Trucking Carriers will need to be shipped Freight Collect.

PROOF OF DELIVERY:

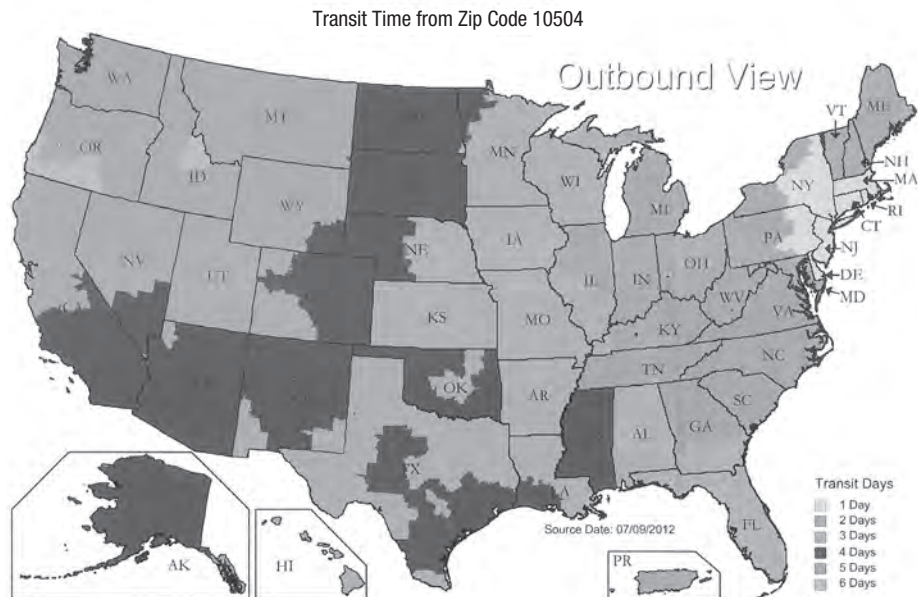
- If you require proof of delivery for one of your orders, please provide a written request within 30 days of ALFA's Invoice date.
- We include Tracking Numbers for all UPS Shipments on ALFA Invoices for your convenience.

CLAIMS (DAMAGE/ERRORS):

- If you receive an order with an error, let us know within 5 business days of receiving your order.
- If the return comes as a result of an ALFA error, we will credit your account in full upon receipt of returned goods.
- If your shipment arrives damaged, please refuse the shipment and let ALFA know immediately so we can contact the carrier and initiate claim procedures & inspection.
- Please save original carton(s) and related packing materials
- Please do not use, alter or tamper with goods that may be damaged or defective.

PRODUCT RETURNS (ORDERED INCORRECTLY):

- Contact ALFA within 60 days of purchase for a Return Authorization Number (RA#).
- Returns are subject to a 20% restocking fee (or \$15.00 minimum). If replacement is ordered at time of RA request, the return is subject to a 10% restock fee (or \$15 minimum).
- We DO NOT accept C.O.D. shipments.
- Please be sure to provide a tracking # for your return shipment so we can promptly & properly track your Return Claim.
- Packages returned without an ALFA issued RA# will be refused.
- All returned merchandise MUST BE DEEMED SALEABLE AS NEW and in its original carton to qualify for full credit.



APPROXIMATE NUMBER OF DAYS FROM ALFA VIA UPS GROUND

ALFA[®]

INTERNATIONAL

Named "Specialty Products Vendor of the Year"

LIST PRICES

For CATALOG 2017 • Effective June 1, 2017

Contact Us for Your Trade Discount

MAP PRICING: ALFA maintains Minimum Advertised Pricing (MAP) on some products. ALFA dealers are obligated to advertise ALFA products at or above MAP level. ALFA reserves the right to change MAP pricing and products as necessary. For ALFA products without MAP policy, Dealers may not advertise prices less than the ALFA dealer net price.

ALL PRICES SUBJECT TO CHANGE
WITHOUT PRIOR NOTICE.

Alfa proudly supports these industry organizations:



Find us in  AutoQuotes

We Accept



Phone (800) 327-ALFA (2532)
(914) 273-2222
web: www.alfaco.com

Fax (800) 328-ALFA (2532)
(914) 273-3666
email: sales@alfaco.com

**Providing Specialty Products and Superior Customer
Service to the Food Service Industry Since 1938**

NOTE: Prices in RED
Indicate That Those Prices
Have GONE DOWN SINCE
THE LAST CATALOG!

Item Number	Item Descrip.	Page #	List Price
10	BRUSH	119	22.00
12	WASHER	76	6.00
15	BRUSH	119	50.00
32	WASHER	76	6.00
411 3/8	TUBE	76	14.00
411 1/2	TUBE	76	18.00
411 3/4	TUBE	76	14.00
561	RACK	119	70.00
562	INSERT	119	30.00
3020	GLOVE	113	18.00
3021	GLOVE	113	18.00
3023	GLOVE	113	18.00
3025	GLOVE	113	18.00
3068	GLOVE	113	18.00
87831	PRONG	93	16.00
876356	BOARD	93	90.00
876358	VALVE	93	22.00
876359	VALVE	93	14.00
876386	ASSMBLY	93	90.00
948151	ROLL	90	20.00
948200	BAG	90	12.00
948220	BAG	90	14.00
948260	BAG	90	20.00
948300	BAG	90	26.00
948320	BAG	90	24.00
977313	CORD	92	34.00
978231	OIL	92	38.00
978232	OIL	92	116.00
979127	PANEL	93	250.00
979138	SWITCH	92	38.00
979156	HOSE	93	2.00
979200	BAR	92	66.00
979209	FUSE	92	10.00
979211	KIT	92	80.00
979215	PUMP	93	464.00
979216	MOTOR	92	214.00
979221	GLASS	93	14.00
979242	HARNESS	93	44.00
979244	SEPARATOR	92	44.00
979245	FITTING	93	12.00
979250	FILTER	92	22.00
979255	SWITCH	93	16.00
979260	VALVE	92	180.00
979261	VALVE	92	180.00
979280	PISTON	92	16.00
979300	SEAL BAR	93	60.00
979320	PUMP	92	1,158.00
979322	FILTER	92	50.00
979323	GLASS	93	62.00
979340	TRANSFORMER	92	298.00
979341	TRANSFORMER	92	330.00
979346	SPRING	92	38.00
979352	HINGE	92	142.00
979355	SWITCH	92	24.00
979356	SPRING	92	38.00
979358	BOLT	93	18.00
979366	SPRING	92	36.00
979380	PISTON	92	24.00
979410	TAPE	93	12.00
979420	TAPE	93	16.00
979425	GASKET	93	24.00
979440	TAPE	93	18.00
979500	SEAL BAR	92	60.00
979540	TRANSFORMER	92	330.00
979542	HARNESS	93	44.00
979552	PIN	92	180.00
979553	PIN	93	8.00
979560	VALVE	92	284.00
979600	SEAL BAR	93	42.00

Item Number	Item Descrip.	Page #	List Price
979601	LID	93	124.00
979612	PISTON	92	16.00
979613	GAUGE	92	36.00
979616	BOARD	93	38.00
979621	PLATE	93	64.00
979626	BOARD	93	78.00
979631	BOARD	62	50.00
979636	VALVE	93	22.00
979642	CHAMBER	92	258.00
979643	CLAMP	93	28.00
979698	BOARD	92	42.00
005 KN	KNIFE	72	18.00
008 KN	KNIFE	72	18.00
012 EK	KNIFE	72	14.00
012 KN	KNIFE	72	16.00
012 KNH	KNIFE	74	30.00
012BT 1/2	TUBE	76	14.00
012BT 3/4	TUBE	76	12.00
012RT 1/2	TUBE	76	14.00
012RT 3/4	TUBE	76	12.00
022 EK	KNIFE	72	20.00
022 KN	KNIFE	72	20.00
022 KNH	KNIFE	74	32.00
022BT 1/2	TUBE	76	14.00
022BT 3/4	TUBE	76	14.00
022RT 1/2	TUBE	76	12.00
022RT 3/4	TUBE	76	12.00
032 EK	KNIFE	72	20.00
032 KN	KNIFE	72	22.00
032 KNH	KNIFE	74	38.00
032BT 1/2	TUBE	76	14.00
032BT 3/4	TUBE	76	14.00
032RT 1/2	TUBE	76	8.00
032RT 3/4	TUBE	76	14.00
0512 SS	KNIFE	34	280.00
052 EK	KNIFE	72	72.00
052 KN	KNIFE	72	90.00
052 KNH	KNIFE	74	80.00
066WSS	SCRAPER	118	8.00
075 SG	STONE	36	6.00
075 SW	STONE	36	6.00
075 T	STONE	36	6.00
077BSS	SCRAPER	118	8.00
10 HFG	CHOPPER	84	52.00
1021-C	KNIFE	34	132.00
1022-S	KNIFE	34	170.00
102A	WRAPPER	95	1,240.00
104A	WRAPPER	95	1,400.00
107A	WRAPPER	95	1,440.00
10B	BEATER	11	52.00
10D	HOOK	11	68.00
10VBWL	BOWL	16	210.00
10W	WHIP	11	94.00
112A	WRAPPER	95	1,200.00
12 1/2 HBLS	PLATE	73	30.00
12 1/4 HBLS	PLATE	73	30.00
12 1/8 BB HBLS	PLATE	83	56.00
12 1/8 HBLS	PLATE	73	34.00
12 3/16 BB HBLS	PLATE	83	54.00
12 3/16 HBLS	PLATE	73	32.00
12 3/32 HBLS	PLATE	73	76.00
12 3/4 HBLS	PLATE	73	30.00
12 3/8 BB HBLS	PLATE	83	42.00
12 3/8 HBLS	PLATE	73	30.00
12 332 HUB	PLATE	73	78.00
12 5/16 HBLS	PLATE	73	30.00
12 5/32 HBLS	PLATE	73	46.00
12 5/8 HBLS	PLATE	73	30.00
12 532 HUB	PLATE	73	56.00
12 H CCA	ATTCHMNT	5	220.00
12 H CRW	CYLINDER	5	118.00
12 H PAN	PAN	5	96.00
12 KIDNEY	PLATE	73	56.00
12 KN SS	KNIFE	74	6.00
12 PIN	PIN	76	4.00
12 SS	GRINDER	84	128.00

Item Number	Item Descrip.	Page #	List Price
12 SS CCA	ATTCHMNT	5	250.00
12 SS PAN	PAN	5	40.00
12 SS WORM	WORM	5	70.00
12 STD	STUD	76	38.00
12B	BEATER	11	52.00
12BT 3/4 SS	TUBE	76	40.00
12D	HOOK	11	60.00
12HR	RING	5	26.00
12HW	WORM	5	36.00
12VBWL	BOWL	10	220.00
12VBWLA	BOWL	10	350.00
12W	WHIP	11	110.00
1306-12	TIER	118	12.00
13752 WB	SOUS VIDE	91	76.00
140-80BA	ADAPTER	12	724.00
140B	BEATER	11	380.00
140DS	HOOK	11	820.00
140-VB	BEATER	12	260.00
140VBWL	BOWL	16	1,598.00
140-VDS	HOOK	12	430.00
140-VW	WHIP	12	264.00
140W	WHIP	11	330.00
150G HC	KNIFE	34	170.00
1612 HC	KNIFE	34	190.00
1612 SG	STONE	36	6.00
1612 SS	KNIFE	34	194.00
1612 SW	STONE	36	6.00
1612 T	STONE	36	6.00
170 T	STONE	36	8.00
180 SG	STONE	36	12.00
180 SSN	KNIFE	34	590.00
180 SW	STONE	36	12.00
180 T	STONE	36	12.00
180 TN	STONE	36	12.00
1EARB	ARBOR	116	22.00
1EBP	BASE	116	74.00
1EBUS	BUSHING	116	24.00
1EGR	GEAR	116	40.00
1EKN	KNIFE	116	10.00
1ESP	SPRING	116	4.00
1EW	WASHER	116	4.00
1PL	MALLET	118	46.00
20B	BEATER	11	70.00
20D	HOOK	11	94.00
20DS	HOOK	11	94.00
20P	KNIFE	11	70.00
20-VB	BEATER	12	46.00
20VBWL	BOWL	16	210.00
20-VDS	HOOK	12	50.00
20-VW	WHIP	12	76.00
20W	WHIP	11	126.00
22 1/2 HBLS	PLATE	73	34.00
22 1/4 HBLS	PLATE	73	34.00
22 1/8 BB HBLS	PLATE	83	78.00
22 1/8 HBLS	PLATE	73	42.00
22 3/16 BB HBLS	PLATE	83	62.00
22 3/16 HBLS	PLATE	73	36.00
22 3/32 HBLS	PLATE	73	72.00
22 3/4 HBLS	PLATE	73	64.00
22 3/8 BB HBLS	PLATE	83	56.00
22 3/8 HBLS	PLATE	73	34.00
22 332 HUB	PLATE	73	78.00
22 5/16 HBLS	PLATE	73	34.00
22 5/32 HBLS	PLATE	73	50.00
22 532 HUB	PLATE	73	60.00
22 H CCA	ATTCHMNT	5	306.00
22 H PAN	PAN	5	120.00
22 HFG	CHOPPER	84	72.00
22 KIDNEY	PLATE	73	72.00
22 KN SS	KNIFE	74	8.00
22 PIN	PIN	76	4.00
22 SS	GRINDER	84	192.00
22 SS CCA	ATTCHMNT	5	266.00
22 STD	STUD	76	40.00
22-1 1/2X7/8	WASHER	76	6.00
22-1 5/8X1	WASHER	76	6.00

PRICE LIST

Item Number	Item Descrip.	Page #	List Price
22-1 5/8X7/8	WASHER	76	6.00
22BT 3/4 SS	TUBE	76	40.00
22HR	RING	5	44.00
22HW	WORM	5	44.00
22PT	TUBE	76	4.00
28/1612 SS	KNIFE	34	198.00
285 HC	KNIFE	34	138.00
285 SS	KNIFE	34	166.00
2PHP	PADDLE	118	4.00
3000 SS	KNIFE	34	460.00
30B	BEATER	11	122.00
30BA	BEATER	11	136.00
30D	HOOK	11	154.00
30DA	HOOK	11	124.00
30DS	HOOK	11	148.00
30-VB	BEATER	12	74.00
30VBWL	BOWL	16	358.00
30VBWLA	BOWL	16	798.00
30-VDS	HOOK	12	86.00
30-VW	WHIP	12	110.00
30W	WHIP	11	150.00
30WA	WHIP	11	244.00
312 S	STONE	36	8.00
32 012 HUB	PLATE	73	58.00
32 014 HUB	PLATE	73	60.00
32 018 HUB	PLATE	73	72.00
32 038 HUB	PLATE	73	62.00
32 1/2 HBLS	PLATE	73	44.00
32 1/4 HBLS	PLATE	73	44.00
32 1/8 HBLS	PLATE	83	158.00
32 1/8 HBLS	PLATE	73	54.00
32 3/16 BB HBLS	PLATE	83	168.00
32 3/16 HBLS	PLATE	73	46.00
32 3/32 HBLS	PLATE	73	74.00
32 3/4 HBLS	PLATE	73	60.00
32 3/8 BB HBLS	PLATE	83	158.00
32 3/8 HBLS	PLATE	73	44.00
32 316 HUB	PLATE	73	64.00
32 332 HUB	PLATE	73	108.00
32 5/32 HBLS	PLATE	73	50.00
32 532 HUB	PLATE	73	66.00
32 964 HUB	PLATE	73	68.00
32 KIDNEY	PLATE	73	72.00
32 KN SS	KNIFE	74	8.00
32 PIN	PIN	76	4.00
32 SS	GRINDER	84	256.00
32 STD	STUD	76	54.00
320-063	BLADE	125	16.00
320-069	BLADE	125	16.00
320-071	BLADE	125	16.00
320-072	BLADE	125	16.00
320-074	BLADE	125	16.00
320-078	BLADE	125	16.00
320-079	BLADE	125	16.00
320-082	BLADE	125	16.00
320-087	BLADE	125	14.00
320-091	BLADE	125	16.00
320-096	BLADE	125	16.00
320-098	BLADE	125	16.00
320-102	BLADE	125	14.00
320-106	BLADE	125	16.00
320-108	BLADE	125	16.00
320-110	BLADE	125	16.00
320-112	BLADE	125	16.00
320-116	BLADE	125	16.00
320-118	BLADE	125	16.00
320-122	BLADE	125	16.00
320-124	BLADE	125	16.00
320-126	BLADE	125	16.00
320-128	BLADE	125	16.00
320-135	BLADE	125	18.00
320-142	BLADE	125	16.00
32BT 3/4 SS	TUBE	76	40.00
32BT 3/8 SS	TUBE	76	30.00
335RD	SCRAPER	118	4.00
335SQ	SCRAPER	118	4.00

Item Number	Item Descrip.	Page #	List Price
3600P HC	KNIFE	34	260.00
3600P SS	KNIFE	34	300.00
40BA	BEATER	11	210.00
40DA	HOOK	11	270.00
40VBWLA	BOWL	16	850.00
40WA	WHIP	11	270.00
420-063	BLADE	125	16.00
420-069	BLADE	125	16.00
420-071	BLADE	125	14.00
420-072	BLADE	125	16.00
420-074	BLADE	125	16.00
420-078	BLADE	125	16.00
420-079	BLADE	125	16.00
420-082	BLADE	125	16.00
420-087	BLADE	125	14.00
420-091	BLADE	125	16.00
420-096	BLADE	125	16.00
420-098	BLADE	125	16.00
420-102	BLADE	125	16.00
420-106	BLADE	125	16.00
420-108	BLADE	125	16.00
420-110	BLADE	125	16.00
420-112	BLADE	125	16.00
420-116	BLADE	125	16.00
420-118	BLADE	125	16.00
420-122	BLADE	125	16.00
420-124	BLADE	125	16.00
420-126	BLADE	125	16.00
420-128	BLADE	125	16.00
420-135	BLADE	125	16.00
420-142	BLADE	125	16.00
5 1/8 HBLS	PLATE	3	34.00
5 3/16 HBLS	PLATE	73	34.00
500A	WRAPPER	94	690.00
500A MINI	WRAPPER	94	520.00
515 L	GLOVE	113	142.00
515 M	GLOVE	113	142.00
515 S	GLOVE	113	142.00
515 XL	GLOVE	113	142.00
515 XS	GLOVE	113	142.00
515 XXL	GLOVE	113	142.00
600A	WRAPPER	94	730.00
60-30BA	ADAPTER	12	398.00
60B	BEATER	11	166.00
60D	HOOK	11	234.00
60DS	HOOK	11	262.00
60-VB	BEATER	12	102.00
60VBWL	BOWL	16	598.00
60-VDS	HOOK	12	168.00
60-VW	WHIP	12	172.00
60W	WHIP	11	248.00
625A	WRAPPER	94	800.00
625-A MINI	WRAPPER	94	708.00
6509 HC	KNIFE	34	118.00
7510U HC	KNIFE	35	140.00
7512 HC	KNIFE	35	224.00
7512-4 HC	KNIFE	35	640.00
8 1/8 HBLS	PLATE	73	36.00
8 3/16 HBLS	PLATE	73	36.00
8 3/8 HBLS	PLATE	73	30.00
805 S	STONE	36	8.00
808 HC	KNIFE	34	210.00
808 SG	STONE	36	8.00
808 SS	KNIFE	34	198.00
808 SW	STONE	36	8.00
808 T	STONE	36	6.00
80B	BEATER	11	238.00
80D	HOOK	11	466.00
80DS	HOOK	11	482.00
80-VB	BEATER	12	168.00
80VBWL	BOWL	16	798.00
80VBWL BARE	KETTLE	10	770.00
80-40BA	ADAPTER	12	540.00
80-VDS	HOOK	12	346.00
80-VW	WHIP	12	186.00
80W	WHIP	11	270.00

Item Number	Item Descrip.	Page #	List Price
825 S	STONE	36	8.00
825 T	STONE	76	8.00
825A	WRAPPER	94	1,030.00
827E HC	KNIFE	34	180.00
829 SS	KNIFE	34	320.00
834 SS	KNIFE	34	280.00
8510 HC	KNIFE	34	180.00
963-C	KNIFE	34	128.00
963-SS	KNIFE	34	180.00
979358-8	BOLT	93	10.00
979612S	PISTON	93	16.00
979642S	CHAMBER	93	188.00
MAP A2JR-15L	SCALE	102	398.00
MAP A2JR-15LP	SCALE	102	460.00
MAP A2JR-15V	SCALE	102	398.00
MAP A2JR-15VP	SCALE	102	460.00
MAP A2JR-30L	SCALE	102	398.00
MAP A2JR-30LP	SCALE	102	460.00
MAP A2JR-30V	SCALE	102	398.00
MAP A2JR-30VP	SCALE	102	460.00
MAP A2JR-60L	SCALE	102	398.00
MAP A2JR-60LP	SCALE	102	460.00
MAP A2JR-60V	SCALE	102	398.00
MAP A2JR-60VP	SCALE	102	460.00
A2JR-DLP50	PRINTER	102	560.00
A2JR-FP	PLATTER	103	116.00
A2JR-LABELS	LABELS	102	92.00
ABB-1	DISPENSER	99	1630.00
ABB-2	DISPENSER	99	2,590.00
MAP ADL-150	SCALE	103	714.00
MAP ADL-300	SCALE	103	714.00
AEMG-12	GRINDER	70	1,380.00
AFCM-1	DISPENSER	98	2,400.00
AFCM-2	DISPENSER	98	3,670.00
AFCM-3	DISPENSER	98	4,790.00
AHCCS	CUTTER	122	562.00
MAP ALP1-30	SCALE	103	2,230.00
MAP ALP1-30P	SCALE	103	2,234.00
ALP1-FP	PLATTER	103	164.00
ALP1-WC	COVER	103	28.00
AP4	PATTY	114	570.00
AP5	PATTY	114	698.00
AP6	PATTY	114	758.00
AP7	PATTY	114	798.00
MAP APB-150	SCALE	103	580.00
MAP APB-300	SCALE	103	580.00
MAP APB-500	SCALE	103	630.00
APM-10	MIXER	17	3,420.00
APM-140	MIXER	17	42,950.00
APM-20	MIXER	17	5,750.00
APM-30	MIXER	17	8,050.00
APM-40	MIXER	17	10,650.00
APM-50	MIXER	17	11,990.00
APM-60HD	MIXER	17	19,350.00
APM-60V	MIXER	17	16,750.00
APM-80EL	MIXER	17	22,630.00
ARY TAPE	TAPE	92	12.00
MAP AS2K-30	SCALE	103	664.00
MAP AS2K-60	SCALE	103	664.00
AS2K-FP	PLATTER	103	164.00
AS2K-WC	WET COVER	103	26.00
MAP ASW-10	SCALE	102	288.00
MAP ASW-10RD	SCALE	102	350.00
MAP ASW-10WR	SCALE	102	420.00
MAP ASW-20	SCALE	102	288.00
MAP ASW-20RD	SCALE	102	350.00
MAP ASW-20WR	SCALE	102	420.00
MAP ASW-5	SCALE	102	288.00
MAP ASW-50	SCALE	102	288.00
MAP ASW-50RD	SCALE	102	350.00
MAP ASW-50WR	SCALE	102	420.00
MAP ASW-5RD	SCALE	102	350.00
AUTOFILL-2	AUTOFILL	98	2,350.00
AUTOFILL-3	AUTOFILL	98	2,850.00
B-004	SWITCH	143	14.00
B-005	STUD	41	26.00

Item Number	Item Descrip.	Page #	List Price
B-007	STUD	48	18.00
B-008	SCRAPPER	43	10.00
B-009	BOLT	43	22.00
B-011	KNOB	47	6.00
B-012/808	BRACKET	43	20.00
B-013	KNOB	43	12.00
B-019	SCREW	48	4.00
B-020	ROLLER	48	4.00
B-021	BUSHING	48	4.00
B-022	FOOT	143	6.00
B-023	KNOB	44	4.00
B-024	KNOB	44	4.00
B-025	KNOB	44	4.00
B-026	KNOB	44	4.00
B-027	STUD	45	10.00
B-028	SUPPORT	43	24.00
B-029	ROD	44	16.00
B-030	PUSHER	44	320.00
B-030 SS	PUSHER	44	330.00
B-031	SCRAPER	43	2.00
B-032	KNOB	43	4.00
B-033	SCREW	46	2.00
B-035	KIT	44	26.00
B-036	ASSMBLY	45	204.00
B-037	SPACER	44	4.00
B-037A	HANDLE	40	30.00
B-038	BUSHING	46	6.00
B-040	BUMPER	44	4.00
B-042	PULLEY	46	12.00
B-043	GEAR	45	10.00
B-044	HANDLE	40	26.00
B-045	KNOB	46	184.00
B-051	BOLT	44	2.00
B-054	PIN	44	4.00
B-055	SHIMS	45	4.00
B-056	SPACER	44	6.00
B-057	SHIMS	46	8.00
B-059	HOOK	45	4.00
B-063	PLUG	43	6.00
B-072	BOLT	43	16.00
B-074	ROD	40	72.00
B-083	PULLEY	46	12.00
B-089	KNOB	40	48.00
B-090	BELT	40	34.00
B-091	KNOB	40	20.00
B-093	LINK	48	8.00
B-094	SCREW	48	4.00
B-095	RING	43	2.00
B-096	SPRING	44	2.00
B-097	COVER	45	2.00
B-098	BOLT	43	4.00
B-099	COVER	45	2.00
B-101	SPINDLE	47	18.00
B-104	SCREW	47	6.00
B-105	LINK	47	4.00
B-106	SPRING	46	4.00
B-107	COVER	46	4.00
B-108	BEARING	46	22.00
B-109	CLAMP	46	2.00
B-1099	PULLEY	45	16.00
B-111	SWITCH	46	6.00
B-113	SHIMS	43	8.00
B-114	PLUG	43	4.00
B-115	SPINDLE	47	40.00
B-116	SPINDLE	47	42.00
B-119	PIN	47	14.00
B-120	SCREW	43	18.00
B-121	BUMPER	46	6.00
B-122	RAIL	46	104.00
B-125	DEFLECTOR	45	150.00
B-126	FOOT	45	4.00
B-127	BUSHING	46	6.00
B-129	HINGE	45	6.00
B-130	HINGE	45	4.00
B-132	BUSHING	44	2.00
B-164	SHARPENER	43	480.00

Item Number	Item Descrip.	Page #	List Price
B-169	FOOT	40	34.00
B-172	KNOB	40	34.00
B-18003	BEARING	41	334.00
B-18020	ASSMBLY	41	404.00
B-1802F	ASSMBLY	41	292.00
B-18035	CHAIN	41	26.00
B-181	HANDLE	40	24.00
B-1815L	GEAR	41	394.00
B-1816G	ASSMBLY	41	32.00
B-1821D	STUD	41	24.00
B-1821F	PIN	41	28.00
B-18412	SPROCKET	41	244.00
B-1841H	BAR	41	46.00
B-1841J	BAR	41	46.00
B-1841K	BAR	41	46.00
B-1842S	BAR	41	46.00
B-1842T	BAR	41	48.00
B-18462	SPRING	41	46.00
B-1846C	ROD	41	320.00
B-1867A	ASSMBLY	41	66.00
B-1867B	PAD	41	26.00
B-187	BELT	40	54.00
B-1871C	ROLLER	41	64.00
B-192	BEARING	45	160.00
B-208	POST	45	8.00
B-259	BOOT	46	20.00
B-336	WORM	46	86.00
B-347	GEAR	46	138.00
B-369	COVER	47	42.00
B-404	SWITCH	46	104.00
B-473	FRAME KIT	47	154.00
B-502	BRACKET	44	228.00
B-753	SWITCH	46	26.00
B-765	COVER	45	178.00
B-781	WASHER	43	12.00
B-795	COVER	45	134.00
B-LARGE 1	DISPENSER	100	1,950.00
B-LARGE 2	DISPENSER	100	2,750.00
B-LARGE+	DISPENSER	100	2,960.00
B-SMART	DISPENSER	100	1,885.00
BAG-30720	POUCH	90	64.00
BAG-30721	POUCH	90	86.00
BAG-30722	POUCH	90	112.00
BAG-30723	POUCH	90	120.00
BAG-30724	POUCH	90	130.00
BAG-30725	POUCH	90	148.00
BAG-30726	POUCH	90	210.00
BAG-30727	POUCH	90	192.00
BAG-30728	POUCH	90	238.00
BAG-30729	POUCH	90	160.00
BAG-30730	POUCH	90	214.00
BAG-30731	POUCH	90	134.00
BAG-30732	POUCH	90	140.00
BAG-30733	POUCH	90	186.00
BAG-30734	POUCH	90	150.00
BAG-30735	POUCH	90	190.00
BAG-30736	POUCH	90	244.00
BAG-30737	POUCH	90	208.00
BAG-30738	POUCH	90	258.00
BAG-30739	POUCH	90	142.00
BAG-30740	POUCH	90	170.00
BAG-30741	POUCH	90	200.00
BAG-30742	POUCH	90	66.00
BAG-30743	POUCH	90	94.00
BAG-30744	POUCH	90	166.00
BAG-30745	POUCH	90	130.00
BAG-30746	POUCH	90	120.00
BAG-30747	POUCH	90	268.00
BAG-30765	POUCH	90	64.00
BAG-30766	POUCH	90	54.00
BAG-30768	POUCH	90	234.00
BAG-30777	POUCH	90	148.00
BAG-30783	POUCH	90	170.00
BAG-30784	POUCH	90	202.00
BAG-30787	POUCH	90	122.00
BAG-30788	POUCH	90	86.00

Item Number	Item Descrip.	Page #	List Price
BAG-30789	POUCH	90	104.00
BAG-30791	POUCH	90	118.00
BAG-30792	POUCH	90	266.00
BAG-40726	POUCH	91	86.00
BB-133	BELT	48	14.00
BB-141	BELT	48	14.00
BB-221	BELT	48	26.00
BB-335	KIT	48	22.00
BB-807/N	BELT	48	18.00
BB-807/O	BELT	48	10.00
BB-808S	BELT	48	20.00
BB-818L	BELT	48	46.00
BB-818M	BELT	48	32.00
BBS0120	BLOCK	137	2.00
BBS015A	SCRAPER	138	112.00
BBS023	SHAFT	137	62.00
BBS027	GUIDE	138	4.00
BBS052	GUIDE	138	6.00
BBS069A	PIN	138	6.00
BBS100	BLOCK	137	4.00
BBS101A	ROD	138	74.00
BBS169B	MOUNT	138	14.00
BBS221V	GUIDE	137	6.00
BBS241D	SEAL	137	4.00
BBS2439	GUARD	138	114.00
BBS353	GUIDE	138	10.00
BBS353V	GUIDE	137	8.00
BBS574	SHAFT	138	76.00
BBS574N	SHAFT	138	78.00
BBS575	SHAFT	138	120.00
BBS575N	SHAFT	138	120.00
BBS7016	PAN	138	74.00
BBS761A	SPRING	138	2.00
BBS785	GUIDE	138	14.00
BBS811F	ROLLER	138	6.00
BBS811U	ROLLER	138	8.00
BBS811V	ROLLER	138	8.00
BBS861B	PIN	138	2.00
BBS914	GUIDE	138	90.00
BBS946A	BUMPER	138	2.00
BBS952A	SCREW	138	2.00
BBS959	SPRING	138	12.00
BBS-KIT	KIT	137	42.00
BBSLMB	BEARING	137	14.00
BBSSGB	BEARING	138	4.00
BBSUMB	BEARING	137	10.00
BG340	WRENCH	74	72.00
BIGBIZ KIT	KIT	101	262.00
BIS003	ASSMBLY	134	416.00
BIS011	TRIGGER	135	18.00
BIS014	HINGE	135	18.00
BIS036	WHEEL	133	338.00
BIS03U	WHEEL	134	338.00
BIS119	GUIDE	136	6.00
BIS130	HOLDER	135	4.00
BIS130A	ASSMBLY	135	22.00
BIS131	SCRAPER	135	2.00
BIS159	BEARING	136	6.00
BIS16132	BRACKET	135	44.00
BIS174	SCREW	135	4.00
BIS177	BLOCK	136	2.00
BIS179	SCRAPER	135	2.00
BIS191	RATCHET	133	306.00
BIS193	SPRING	135	4.00
BIS227	BEARING	136	40.00
BIS229	SPRING	135	4.00
BIS230	SEAL	135	8.00
BIS240	SPRING	135	4.00
BIS247	ASSMBLY	133	146.00
BIS256	PLATE	133	54.00
BIS265	SPRING	136	4.00
BIS268	STUD	136	2.00
BIS291	KNOB	133	8.00
BIS295	ARM	135	10.00
BIS295A	ASSMBLY	135	18.00
BIS311	BUMPER	133	2.00

Item Number	Item Descrip.	Page #	List Price
BIS3232	PAN	136	86.00
BIS335	PLATE	134	612.00
BIS356E	ASSMBLY	134	782.00
BIS363	BEARING	136	66.00
BIS415	BAR	136	18.00
BIS415A	ASSMBLY	136	28.00
BIS513	GASKET	133	2.00
BIS602	GUIDE	135	10.00
BIS602A	ASSMBLY	135	34.00
BIS604	GUIDE	136	16.00
BIS614	HINGE	135	18.00
BIS6159	BEARING	136	10.00
BIS632	BAR	133	308.00
BIS730	BELT	133	148.00
BIS-KIT	KIT	137	14.00
BIS-SEAL	CAP	133	22.00
BIS-SHAFT	SHAFT	133	188.00
BIZ-0100	ASSMBLY	38	332.00
BIZ-0114	BELT	37	74.00
BIZ-0400	FOOT	34	30.00
BIZ-0949	BELT	37	42.00
BIZ-1200	LEVER	37	326.00
BIZ-1201	SPACER	38	16.00
BIZ-2301	COVER	38	20.00
BIZ-2500	KNOB	37	78.00
BIZ-3021	BELT	37	18.00
BIZ-3022	BELT	37	28.00
BIZ-3100	LEVER	37	616.00
BIZ-4022	HANDWHEEL	38	18.00
BIZ-4030	CORD	37	8.00
BIZ-4401	SHAFT	39	114.00
BIZ-5000	BUSHING	37	4.00
BIZ-5100	SPACER	38	14.00
BIZ-5601	CAM	34	90.00
BIZ-5676	WASHER	38	2.00
BIZ-5763	SCREWS	39	6.00
BIZ-5773	SCREW	38	4.00
BIZ-5774	SCREW	38	2.00
BIZ-5775	RING	38	6.00
BIZ-6022	SHAFT	38	56.00
BIZ-6026	BOLT	39	12.00
BIZ-6027	ASSMBLY	38	52.00
BIZ-6037	HOLDER	39	104.00
BIZ-6039	SHAFT	39	38.00
BIZ-6051	KNOB	38	32.00
BIZ-6061	FOOT	39	10.00
BIZ-6080	KNOB	39	38.00
BIZ-6801	KNOB	39	78.00
BIZ-8000	COVER	37	2,510.00
BIZ-9401	KNOB	34	122.00
BIZ-9531	BELT	37	30.00
BIZ-9532	BELT	37	72.00
BIZ-BUMPER	SHOCK ABSRBR	34	10.00
BIZ-BUMPKIT	KIT	39	30.00
BIZ-HANDLE	HANDLE	37	42.00
BIZ-HARDKIT	KIT	38	28.00
BIZ-LPBNEW	BOARD	34	654.00
BIZ-LPBOLD	BOARD	34	654.00
BK/SC F.C.	KNIVES	144	30.00
BKB-010	BEARING	142	4.00
BKB-012	ROLLER	142	48.00
BKB-032	SWITCH	142	8.00
BKB-056	KIT	142	74.00
BKB-1156	MOTOR	142	478.00
BKB-120	DRIVE	143	12.00
BKB-121	BUSHING	142	8.00
BKB-163	COVER	142	48.00
BKB-176	SHAFT	142	384.00
BKB-219	CLAMP	142	2.00
BKB-249	BUSHING	142	8.00
BKB-280	SWITCH	143	62.00
BKB-325	HANDLE	143	82.00
BKB-346	POT	142	480.00
BKB-405	KNOB	143	6.00
BKB-412	TROUGH	143	310.00
BKB-413	TROUGH	143	780.00

Item Number	Item Descrip.	Page #	List Price
BKB-512	ROG	142	72.00
BKB-595	SPRING	142	50.00
BKB-656	TAB	143	4.00
BKB-660	PLATE	142	142.00
BKB-798	PAN	142	154.00
BKB-865	ASSMBLY	142	174.00
BKB-885	COVER	142	460.00
BKB-990	NUT	143	4.00
BKT-002	CAP	149	4.00
BKT-015	SWITCH	149	16.00
BKT-020	SWITCH	149	20.00
BKT-021	COVER	149	374.00
BKT-026	ASSMBLY	149	4.00
BKT-036	CAPACITOR	149	22.00
BKT-050	COVER	149	12.00
BKT-051	SHOE	149	2.00
BKT-059	ASSMBLY	149	126.00
BKT-061	ASSMBLY	149	122.00
BKT-103	ASSMBLY	149	1,126.00
BKT-105	PLATE	149	54.00
BKT-107	ASSMBLY	149	294.00
BKT-5105	ASSMBLY	149	294.00
BONE GUARD	GUARD	92	26.00
BSMART KIT	KIT	101	308.00
BT-036	BLADE	150	58.00
BT-116	COMB	150	154.00
BT-117	COMB	150	154.00
BT-130	CRADEL	150	918.00
BT-131	ASSMBLY	150	408.00
BT-132	ASSMBLY	150	464.00
BT-864A	SWITCH	150	36.00
BT-904A	SWITCH	150	184.00
BT-961	COVER	150	266.00
BWLLIFT	BOWL LIFT	16	10,400.00
BX13-032	HANDLE	42	114.00
BX13-135	PUSHER	42	100.00
BX13-140	ASSMBLY	42	550.00
BX13-158	SHARPNR	42	508.00
BX13-173	ASSMBLY	42	84.00
BX13-176	BELT	42	68.00
BX13-239	FOOT	42	22.00
BX13-283	STONE	42	68.00
BX13-386	SLEEVE	42	58.00
BX13-391	SCREW	42	16.00
BX13-392	KNOB	42	96.00
BX13-468	BOLT	42	20.00
BX13-497	GUARD	42	528.00
BX13-524	WASHER	42	10.00
BX13-622	KNOB	42	22.00
BX13-686	MOTOR	42	958.00
BX13-714	ASSMBLY	42	192.00
BX13-920	SWITCH	42	130.00
C-5 BLUE	PWRLOAD	157	276.00
C-5 RED	PWRLOAD	157	276.00
C-5 YELLOW	PWRLOAD	157	276.00
C12 HC	KNIFE	34	454.00
CE1	CUTTER	110	510.00
CE1 FEET	FEET	111	10.00
CE1 SPRING	SPRING	111	10.00
CE1 STRAP	STRAP	111	16.00
CE1/CE2 AXLE	AXLE	111	14.00
CE1/CE2 HANDLE		111	14.00
CE1/CE2 KEYRING		111	2.00
CE1W	WIRE	110	2.00
CE2	CUTTER	110	380.00
CE2 FEET	FEET	111	8.00
CE2 SPRING	SPRING	111	10.00
CE2 STRAP	STRAP	111	16.00
CE2W	WIRE	110	2.00
CHEESECUT	CUTTER	110	144.00
CM10 HC	KNIFE	34	196.00
CM12 HC	KNIFE	34	414.00
CM512 S	ASSMBLY	36	104.00
CM512 SS	KNIFE	34	280.00
CM512 T	ASSMBLY	36	94.00
CM512-04	FOOT	50	46.00

Item Number	Item Descrip.	Page #	List Price
CM512-16	GEAR	50	114.00
CM512-17	LAMP	50	26.00
CM512-24	ASSMBLY	50	126.00
CM512-26	HANDLE	50	42.00
CM512-45	GEAR	50	104.00
CM512-46	KNOB	50	112.00
CM512-47	MOTOR	50	532.00
CM512-49	CAPACITOR	50	66.00
CM512-50	RELAY	50	48.00
CM512-54	KNOB	50	52.00
CM512-55	KNOB	50	46.00
CM512-56	ASSMBLY	50	550.00
CM512-57	SPRING	50	6.00
CM512-60	GEAR	50	92.00
CM512-61	BEARING	50	432.00
CM512-75	SWITCH	50	42.00
CM9 HC	KNIFE	34	148.00
CORD	CORD	37	8.00
CORD 520A	CORD	58	20.00
CO-SS	OPENER	116	510.00
D169-PEXT-12	DIE	6	470.00
D21-PEXT-12	DIE	6	470.00
D225-PEXT-12	DIE	6	470.00
D28-PEXT-12	DIE	6	470.00
D36-PEXT-12	DIE	6	470.00
D370-PEXT-12	DIE	6	470.00
D464-PEXT-12	DIE	6	470.00
D5-PEXT-12	DIE	6	470.00
D68-PEXT-12	DIE	68	470.00
D89-PEXT-12	DIE	6	470.00
D98-PEXT-12	DIE	6	430.00
D9-PEXT-12	DIE	6	470.00
DICECUT-14	CUTTER	109	98.00
DICECUT-38	CUTTER	109	98.00
DK-298	SHARPENER	106	180.00
DS6X3	SCRAPER	118	6.00
DUO550	CHAMBER	91	1,098.00
EC-2-1	TRANSFMR	160	6,900.00
ECO1	OPENER	116	300.00
EDGE HC-12	KNIFE	34	240.00
EDGE HC-4	KNIFE	34	670.00
FAMA-1	GRATER	87	1,204.00
FAMA-1.5	GRATER	87	1,408.00
FAMA-1/2	GRATER	87	664.00
FC-12	CUTTER	168	500.00
FCM KIT	KIT	101	290.00
FDSS 12	STUFFER	108	1,378.00
FDSS 18	STUFFER	108	3,240.00
FDSS 24	STUFFER	108	3,410.00
FDSS 30	STUFFER	108	3,590.00
FF-01	HANDLE	115	32.00
FF-02	BOLT	115	2.00
FF-09	SUPPORT	115	22.00
FF1	CUTTER	115	154.00
FF1 FRAME	FRAME	115	42.00
FF1 PB	BLOCK	115	10.00
FF-11	BRACKET	115	6.00
FF-12	SCREW	115	2.00
FF-14	NUT	115	2.00
FF2	CUTTER	115	168.00
FF2 FRAME	FRAME	115	52.00
FF2 PB	BLOCK	115	10.00
FF3	CUTTER	115	158.00
FF3 FRAME	FRAME	115	40.00
FF3 PB	BLOCK	115	10.00
FF4	CUTTER	115	128.00
FFCUTTER	FRY CUTTER	109	140.00
FF-ROD	ROD	115	10.00
FGA	ATTCHMNT	20	106.00
FPPA	ATTCHMNT	20	282.00
FSH-S	SCALER	118	6.00
FVSFGA	STRAINER	20	194.00
FW9000	WARMER	104	296.00
FW9002	WARMER	104	428.00
FW9003	WARMER	104	470.00
G-001C	ROD	55	16.00

Item Number	Item Descrip.	Page #	List Price
G-002	STUD	57	6.00
G-003AN	KNOB	57	16.00
G-003N	KNOB	57	22.00
G-004	BOLT	56	10.00
G-004S	STUD	56	8.00
G-005	KNOB	57	12.00
G-006A	SUPPORT	56	14.00
G-007	PLATE	57	28.00
G-009	RELAY	58	40.00
G-011	SPRING	55	2.00
G-012A	SEAL	55	20.00
G-012B	SEAL	55	14.00
G-012C	SEAL	53	8.00
G-014	FOOT	60	4.00
G-016	SCRAPER	57	10.00
G-017	GASKET	52	4.00
G-018	SCRAPER	57	8.00
G-019	GEAR	52	20.00
G-019B	GEAR	53	46.00
G-019N	GEAR	54	28.00
G-019P	GEAR	53	22.00
G-020	GEAR	52	24.00
G-020P	GEAR	54	20.00
G-021	BEARING	55	56.00
G-022	BEARING	53	28.00
G-023	KNOB	56	24.00
G-025A	SHIMS	55	10.00
G-025B	SHIMS	55	10.00
G-025C	SHIMS	53	8.00
G-025D	SHIMS	53	6.00
G-028	ENDWEIGHT	55	302.00
G-029	ENDWEIGHT	55	188.00
G-029 SS	ENDWEIGHT	55	302.00
G-030	HANDLE	55	18.00
G-031	SET	55	26.00
G-032	FASTENER	55	8.00
G-033	BUSHING	55	4.00
G-034	SCRAPPER	57	10.00
G-035	SCRAPPER	57	4.00
G-036	SWITCH	58	22.00
G-038B	PLATE	57	56.00
G-038C	PLATE	57	48.00
G-038D	SUPPORT	57	54.00
G-039	SCREWS	57	4.00
G-040	TABLE	59	130.00
G-041	GEAR	59	122.00
G-042	STUD	56	24.00
G-044	SWITCH	58	28.00
G-045	SWITCH	58	18.00
G-046	SEAL	53	6.00
G-047	BUCKET	60	68.00
G-048	SWITCH	58	52.00
G-049	SWITCH	58	62.00
G-051	RING	53	4.00
G-053	WASHER	53	2.00
G-054	NUT	53	8.00
G-056	KNOB	54	22.00
G-059	SLIDE	56	172.00
G-061	SPACER	55	2.00
G-062	HUB	52	400.00
G-063	HARDWARE	58	14.00
G-064	HUB	53	412.00
G-064N	ASSMBLY	53	388.00
G-065	COUPLING	53	28.00
G-066	SET	53	2.00
G-067	SPACER	53	10.00
G-068	SPACER	53	8.00
G-069	BUMPER	59	4.00
G-070	SLIDE	59	4.00
G-074	KNOB	59	24.00
G-081	CHAIN	56	66.00
G-083	SPACER	54	6.00
G-084	ROLLER	56	4.00
G-085	HUB	53	142.00
G-086	BUMPER	55	4.00
G-087	SLEEVE	56	2.00

Item Number	Item Descrip.	Page #	List Price
G-088	RING	56	2.00
G-089	RING	53	2.00
G-090	CLIP	55	2.00
G-091	BUSHING	56	4.00
G-092	SHIMS	59	22.00
G-093	WASHER	55	4.00
G-096	BLOCK	56	20.00
G-097	KNOB	56	10.00
G-098	SHAFT	53	92.00
G-099	WASHER	53	4.00
G-101	CLIP	56	2.00
G-1037	BEARING	54	74.00
G-105	TOOL SET	53	42.00
G-1085	SHAFT	54	144.00
G-1087	RING	54	2.00
G-1090	HUB	54	90.00
G-1094	ASSMBLY	54	466.00
G-110	BUSHING	56	6.00
G-112	BUSHING	56	8.00
G-113	BLOCK	56	20.00
G-118	HANDLE	56	24.00
G12 HC	KNIFE	34	220.00
G12 S	STONE	36	8.00
G12 SS	KNIFE	34	266.00
G12 SW	STONE	36	8.00
G12 T	STONE	36	8.00
G-121	CHUTE	56	368.00
G-122	SCREWS	56	4.00
G-123	LOCKPIN	55	4.00
G-128-1	LIGHT	60	2.00
G13 HC	KNIFE	35	250.00
G13 HC CHEESE	KNIFE	35	310.00
G13 SS	KNIFE	35	270.00
G13 T	STONE	36	10.00
G-137	SCREWS	55	4.00
G-140	SWITCH	58	48.00
G-141	BUMPER	55	6.00
G-142	BUTTON	55	4.00
G-154	STUD	55	4.00
G-156	KEY	53	4.00
G-161	KNOB	56	42.00
G-189	BOOT	58	16.00
G-193	PLUG	54	2.00
G-195	BOLT	54	28.00
G-200	WRENCH	53	34.00
G-210	O RING	52	2.00
G-215	WASHER	54	4.00
G-221	WASHER	54	4.00
G-237	STANDOFF	54	4.00
G-241	GASKET	54	4.00
G-26A	GUARD	57	368.00
G-314	KNOB	52	6.00
G-369	CLIP	52	10.00
G36P-011	ASSMBLY	49	24.00
G36P-012	ENDWEIGHT	49	22.00
G36P-023	SHAFT	49	14.00
G36P-064	HUB	49	76.00
G36P-138	COVER	49	6.00
G36P-258	COVER	49	2.00
G36P-416	ENDWEIGHT	49	4.00
G-375	KIT	52	4.00
G-400	WRENCH	59	64.00
G-410	GEAR	54	74.00
G-423	SCREW	52	8.00
G-432	KNOB	52	8.00
G-463	STONE	59	68.00
G-467	STONE	59	80.00
G-478	NUT	52	4.00
G-521	SWITCH	58	112.00
G-528	SWITCH	58	30.00
G-529	SWITCH	58	10.00
G-552	HUB	52	60.00
G-711	LENS CAP	60	44.00
G-722	SHAFT	52	98.00
G-723	NUT	52	10.00
G-724	BEARING	52	14.00

Item Number	Item Descrip.	Page #	List Price
G-725	BEARING	52	12.00
G-726	COVER	52	2.00
G-727	RING	52	2.00
G-728	BEARING	52	14.00
G-730	HOUSING	53	138.00
G-739	PIN	60	8.00
G-741-4	PRONG	55	40.00
G-741-APC	ENDWEIGHT	55	250.00
G-747	SCREW	53	4.00
G-822	GUARD	57	474.00
G-834	MOTOR	58	878.00
G-856	TRAY	60	392.00
G-856-2	KNOB	60	8.00
G-861-L	DEFLECTOR	60	250.00
G-863	SLIDE	59	116.00
G-879	INTERLOCK	57	22.00
G-897	SWITCH	58	132.00
G-972	HUB	52	456.00
GAL POUCH STAND		93	142.00
GC-12	KNOB	51	14.00
GC12 S	STONE	36	10.00
GC12 T	STONE	36	8.00
GC-25	KNOB	51	14.00
GC-26	KNOB	51	26.00
GC-27	CAM	51	8.00
GC-28	SWITCH	51	70.00
GC-31	CAPACITOR	51	26.00
GC-32	CAPACITOR	51	28.00
GC-33	ASSMBLY	51	54.00
GC-34	ASSMBLY	51	54.00
GC-35	ASSMBLY	51	54.00
GC-36	MOTOR	51	298.00
GC-38	MOTOR	51	306.00
GC-40	FEET	51	6.00
GC-41-A	SCREW	51	4.00
GC-45	ASSMBLY	51	64.00
GC-46	ASSMBLY	51	72.00
GC-47	ASSMBLY	51	74.00
GC-47-B	BEARING	51	6.00
GC-48	ROD	51	22.00
GC-48-A	ROD	51	2.00
GC-49	ROD	51	26.00
GC-49-A	ROD	51	2.00
GC-50	ROD	51	42.00
GC-50-A	ROD	51	2.00
GC-52	ASSMBLY	51	78.00
GC-54	BELT	51	48.00
GC-55	BELT	51	26.00
GC-56-A	SCREW	51	4.00
GC-59-A	INSET	51	4.00
GC-62	ENDWEIGHT	51	84.00
GC-63	ENDWEIGHT	51	102.00
GC-64	ENDWEIGHT	51	134.00
GC-65-A	ROD	51	12.00
GC-66-A	ROD	51	12.00
GC-67-A	ROD	51	20.00
GC-71	KNOB	51	8.00
GC-72	KNOB	51	10.00
GC-76	NUT	51	2.00
GC9 S	STONE	36	8.00
GC9 T	STONE	36	8.00
GGUN3	GREASEGUN	120	54.00
GGUN14	GREASEGUN	120	66.00
GM10B	BEATER	15	290.00
GM10BWL	BOWL	15	390.00
GM10D	HOOK	15	320.00
GM10W	WHIP	15	330.00
GM20B	BEATER	15	310.00
GM20BWL	BOWL	15	470.00
GM20D	HOOK	15	330.00
GM20W	WHIP	15	420.00
GM25B	BEATER	15	340.00
GM25BWL	BOWL	15	520.00
GM25D	HOOK	15	340.00
GM25W	WHIP	15	460.00
GM30B	BEATER	15	376.00

Item Number	Item Descrip.	Page #	List Price
GM30BWL	BOWL	15	824.00
GM30D	HOOK	15	440.00
GM30W	WHIP	15	460.00
GM40B	BEATER	15	450.00
GM40BWL	BOWL	15	1,060.00
GM40D	HOOK	15	480.00
GM40W	WHIP	15	550.00
GM60B	BEATER	15	540.00
GM60BWL	BOWL	15	1,410.00
GM60D	HOOK	15	560.00
GM60W	WHIP	15	710.00
GM80B	BEATER	15	660.00
GM80BWL	BOWL	15	1,560.00
GM80D	HOOK	15	760.00
GM80W	WHIP	15	910.00
GM8B	BEATER	15	220.00
GM8BWL	BOWL	15	312.00
GM8D	HOOK	15	216.00
GM8W	WHIP	15	270.00
GR-2185A	WHEEL	106	18.00
GR-2185B	WHEEL	106	18.00
GR-2185C	WHEEL	106	18.00
GRLS-1	SCRAPER	117	44.00
GRLS-B	BLADE	117	4.00
GRWR	WRENCH	83	94.00
GS-12	ATTCHMNT	2	810.00
GS-22	ATTCHMNT	2	1,010.00
GSS-B32A	SPACER	83	12.00
GSS-B32B	SPACER	83	12.00
GSS-H32A	SPACER	83	12.00
GSS-H32B	SPACER	83	12.00
GSS-HOL32A	SPACER	83	12.00
GSS-HOL32B	SPACER	83	12.00
GSTUD-B32	STUD	83	64.00
GSTUD-B52	STUD	83	110.00
GSTUD-B52F	STUD	83	114.00
GSTUD-BB22	STUD	83	42.00
GSTUD-BB32	STUD	83	60.00
GSTUD-BB52	STUD	83	74.00
GSTUD-BB56	STUD	83	108.00
GSTUD-T12	STUD	83	58.00
GSTUD-T22	STUD	83	62.00
GSTUD-T32	STUD	83	74.00
H-003	WASHER	68	2.00
H-004	BEARING	68	6.00
H-005	BEARING	68	26.00
H-006	BEARING	64	16.00
H-007	SHAFT	65	72.00
H-008	GEAR	68	58.00
H-010	RING	68	6.00
H-011	GEAR	68	70.00
H-012	HARDWARE	68	12.00
H-013	ASSMBLY	68	22.00
H-014	SCREW	66	16.00
H-015	WASHER	66	2.00
H-016	STUD	67	14.00
H-017	KNOB	67	16.00
H-018	KNOB	67	14.00
H-019	FOOT	66	4.00
H-020	BUSHING	65	4.00
H-021	KNOB	67	14.00
H-022	SCREW	66	4.00
H-023	BEARING	66	6.00
H-024	WASHER	66	2.00
H-025	BUSHING	66	6.00
H-027	PLUG	66	2.00
H-028	RING	66	2.00
H-029	WASHER	66	2.00
H-030	BEARING	67	4.00
H-031	BEARING	67	6.00
H-032	GUARD	67	208.00
H-033	ASSMBLY	68	470.00
H-034	CLIP	65	6.00
H-035	SPRING	66	4.00
H-036	SPRING	66	6.00
H-037	SUPPORT	66	242.00

MAP
MAP

Item Number	Item Descrip.	Page #	List Price
H-038	KIT	67	26.00
H-039	BEARING	67	6.00
H-041	WASHER	65	2.00
H-042	WASHER	65	2.00
H-043	BUSHING	65	6.00
H-047	SCREW	65	4.00
H-058	WASHER	63	2.00
H-066	INSERT	68	6.00
H-067	ASSMBLY	61	158.00
H-081	GRIP	65	204.00
H-082	GRIP	65	192.00
H-083	GRIP	65	290.00
H-096	DIAL	66	14.00
H-097	ASSMBLY	66	182.00
H-098	SWITCH	67	8.00
H-100	ASSMBLY	65	206.00
H-101	RING	61	2.00
H-104	WASHER	68	4.00
H-117	FENCE	62	176.00
H-118	FENCE	62	142.00
H-119	WASHER	62	4.00
H-122	SWITCH	23	116.00
H-124	BEARING	65	4.00
H-147	YOKE	67	18.00
H-148	LIGHT	67	8.00
H-152	SHAFT	63	244.00
H-158	BEARING	63	6.00
H-167	KNOB	62	82.00
H-202	HANDLE	65	10.00
H-2097	RING	64	2.00
H-2100	KIT	62	12.00
H-214	INDEX	66	14.00
H-2190	KIT	63	34.00
H-253	SCREW	61	2.00
H-254	BUSHING	62	6.00
H-265	LABEL	62	4.00
H-266	KNOB	61	38.00
H-274	LABEL	62	8.00
H-284	SCREW	63	2.00
H-304	MEAT GRIP	61	132.00
H-310	SCREW	66	4.00
H-320	HANDLE	62	22.00
H-322	NUT	68	4.00
H-324	SPRING	68	6.00
H-345	HANDLE	62	34.00
H-348	KEY	68	2.00
H-350	CAP	62	26.00
H-354	KNOB	62	86.00
H-355	DEFLECTOR	62	48.00
H-357	HANGER	62	30.00
H-360	SUPPORT	62	92.00
H-370	DIAL	63	20.00
H-371	FOOT	64	8.00
H-373	PLUG	64	2.00
H-375	PLUG	64	2.00
H-417	WASHER	63	2.00
H-420	ROLLER	64	28.00
H-425	BUSHING	64	4.00
H-426	BUSHING	64	4.00
H-432	SPRING	64	6.00
H-435	SHAFT	68	100.00
H-438	KNOB	63	18.00
H-442	SHEAVE	63	86.00
H-450	KNOB	64	26.00
H-452	SCREW	65	4.00
H-463	WASHER	62	4.00
H-471	ASSMBLY	63	540.00
H-487	CAPACITOR	66	10.00
H-494	SHAFT	66	30.00
H-526	STUD	61	36.00
H-530A	PLATE	66	32.00
H-544	GRIP	62	326.00
H-555	BUMPER	64	8.00
H-571	ASSMBLY	61	1020.00
H-579	NUT	64	14.00
H-601	BUMPER	65	2.00

Item Number	Item Descrip.	Page #	List Price
H-622	RING	68	2.00
H-623	RING	64	2.00
H-646	TRAY	62	406.00
H-658	BEARING	64	10.00
H-668	KNOB	64	22.00
H-681	FOOT	66	8.00
H-691	WHEEL	63	102.00
H-702	SCREW	65	4.00
H-708	WASHER	64	4.00
H-735	LABEL	62	6.00
H-740	PIN	68	4.00
H-741	NUT	63	4.00
H-747	STONE	63	34.00
H-814	SCREW	63	4.00
H-830	COVER	62	460.00
H-833	SCREW	65	4.00
H-845	BELT	63	22.00
H-848	KIT	68	38.00
H-851	BEARING	64	70.00
H-867	SPRING	61	2.00
H-882	STONE	68	18.00
H-890	SHAFT	62	32.00
H-897	SPRING	64	6.00
H-911	SCREW	64	40.00
H-914	FENCE	68	198.00
H-934	CLIP	67	2.00
H-948	DISC	66	12.00
H-979	STONE	65	70.00
H-984	SCREW	62	18.00
H-994	SPRING	61	2.00
H-CSR	STUD	61	4.00
H-CTA	ASSMBLY	61	1,206.00
H-GSS	SPINDLE	61	36.00
H-HKC	HARDWARE	61	10.00
H-HKS	SHARPENER	61	32.00
H-SAO	ASSMBLY	61	610.00
HBG-140	BOWLGUARD	13	3,458.00
HBG-20	BOWLGUARD	13	1,560.00
HBG-30	BOWLGUARD	13	1,890.00
HBG-60	BOWLGUARD	13	2,204.00
HBG-80	BOWLGUARD	13	2,398.00
HBG-802	BOWLGUARD	13	2,760.00
HC3	CUTTER	110	16.00
HC4	CUTTER	110	26.00
HC5	CUTTER	110	18.00
HC-724	CASTER	78	108.00
HC-725	CASTER	78	102.00
HC-787	CASTER	78	62.00
HC-924	CASTER	78	246.00
HCM-035	ASSMBLY	144	2,142.00
HCM-294	KNIFE	144	190.00
HCM-295	KNIFE	144	190.00
HCM-296	KNOB	144	260.00
HCM-956	KNOB	144	172.00
HFC-012	SWITCH	145	18.00
HFC-025	PIN	145	4.00
HFC-115	O RING	145	4.00
HFC-168	BOLT	145	120.00
HFC-208	WASHER	145	4.00
HFC-310	SPRING	145	4.00
HFC-311	CLOLLAR	144	38.00
HFC-312	COLLAR	144	36.00
HFC-313	BUSHING	144	84.00
HFC-321	BELT	145	10.00
HFC-371	KNOB	144	14.00
HFC-374	WASHER	145	4.00
HFC-398	INSERT	145	40.00
HFC-482	SWITCH	145	18.00
HFC-503	BELT	145	40.00
HFC-522	BEARING	145	26.00
HFC-642	COMB	144	64.00
HFC-704	BELT	145	16.00
HFC-752	BREARING	145	14.00
HFC-814	HANDLE	145	68.00
HFC-831	SWITCH	144	1,614.00
HFC-934	COMB	144	70.00

Item Number	Item Descrip.	Page #	List Price
HG2-704	SCREW	76	46.00
HG286	WRENCH	83	58.00
HG570	WRENCH	83	74.00
HM14-016	BEARING	24	56.00
HM14-043	BELT	24	98.00
HM14-045	SEAL	24	28.00
HM14-067	RING	24	10.00
HM14-068	RING	24	2.00
HM14-117	DISC	24	110.00
HM14-317	BELT	24	12.00
HM14-645	KNOB	25	8.00
HM14-757	PIN	24	18.00
HM14-821	SHAFT	24	776.00
HM14-944	BEARING	24	46.00
HM14-945	BEARING	24	36.00
HM2-006	BEARING	26	8.00
HM2-018	SHIM	26	6.00
HM2-019	SHIM	26	10.00
HM2-020	SHIM	26	6.00
HM2-028	SPRING	28	30.00
HM2-052	BEARING	28	4.00
HM2-059	KEY	26	2.00
HM2-078	O RING	26	2.00
HM2-126	BEARING	26	16.00
HM2-128	SHAFT	28	94.00
HM2-145	SPACER	26	14.00
HM2-153	NUT	26	6.00
HM2-160	SHIFTER	23	76.00
HM2-170	BRUSH	21	18.00
HM2-198	NUT	25	100.00
HM2-206	BEARING	26	6.00
HM2-217	PINION	26	32.00
HM2-218	BEARING	21	6.00
HM2-223	NUT	28	4.00
HM2-229	NUT	26	4.00
HM2-236	SHAFT	28	210.00
HM2-241	WASHER	26	8.00
HM2-248	SWITCH	21	58.00
HM2-271	SHOE	21	44.00
HM2-272	GUARD	21	40.00
HM2-273	GUARD	21	38.00
HM2-282	NUT	26	4.00
HM2-297	KEY	28	2.00
HM2-304	KEY	28	2.00
HM2-318	KEY	26	4.00
HM2-322	NUT	25	126.00
HM2-326	COVER	23	124.00
HM2-388	SWITCH	21	22.00
HM2-401	KNOB	21	6.00
HM2-418	RING	26	2.00
HM2-421	SWITCH	21	38.00
HM2-431	SWITCH	23	38.00
HM2-482	SEAL	26	10.00
HM2-513	GEAR	28	78.00
HM2-525	RETAINER	21	102.00
HM2-536	BRACKET	23	970.00
HM2-539	BUMPER	21	56.00
HM2-551	KIT	26	228.00
HM2-575	WHEEL	28	32.00
HM2-615	SHAFT	28	288.00
HM2-621	PIN	26	4.00
HM2-636	WASHER	28	2.00
HM2-651	SPACER	28	10.00
HM2-695	SEAL	26	10.00
HM2-697	SPACER	28	8.00
HM2-702	KEY	26	2.00
HM2-710	NUT	28	4.00
HM2-712	BEARING	26	6.00
HM2-718	CAPACITOR	21	48.00
HM2-723	SPACER	26	56.00
HM2-734	SHAFT	21	160.00
HM2-745	SHAFT	28	8.00
HM2-747	KEY	28	4.00
HM2-748	GEAR	28	26.00
HM2-749	KNOB	21	26.00
HM2-750	SHAFT	26	192.00

Item Number	Item Descrip.	Page #	List Price
HM2-754	WASHER	28	4.00
HM2-757	SPRING	28	4.00
HM2-811	WHEEL	25	124.00
HM2-813	WASHER	26	6.00
HM2-821	SWITCH	23	76.00
HM2-936	SHAFT	26	106.00
HM2-946	WASHER	26	6.00
HM2-971	SCREW	23	20.00
HM2-972	SCREW	25	36.00
HM3-019	PIN	27	6.00
HM3-022	BEARING	30	22.00
HM3-026	BEARING	30	78.00
HM3-034	GEAR	30	110.00
HM3-046	RING	27	4.00
HM3-049	KEY	30	2.00
HM3-055	KEY	30	2.00
HM3-085	KNOB	27	6.00
HM3-130	SHAFT	30	164.00
HM3-142	KEY	27	2.00
HM3-158	KEY	27	2.00
HM3-161	KEY	30	2.00
HM3-166	WASHER	30	4.00
HM3-174	BEARING	30	6.00
HM3-179	BEARING	30	8.00
HM3-187	SHAFT	30	416.00
HM3-206	BEARING	27	8.00
HM3-212	BEARING	27	28.00
HM3-229	SWITCH	23	100.00
HM3-232	NUT	30	38.00
HM3-260	KEY	30	2.00
HM3-331	GEAR	30	410.00
HM3-334	SEAL	30	4.00
HM3-335	SEAL	27	10.00
HM3-339	SHAFT	27	240.00
HM3-411	PIN	23	18.00
HM3-526	SPACER	30	8.00
HM3-653	SPACER	30	12.00
HM3-736	BEARING	27	8.00
HM3-818	SHAFT	30	166.00
HM3-824	PLUG	27	14.00
HM3-830	KEY	30	2.00
HM3-833	BEARING	30	8.00
HM3-941	BEARING	30	36.00
HM6-019	RING	25	4.00
HM6-021	RING	29	2.00
HM6-022	BASE	25	1,162.00
HM6-026	BEARING	22	18.00
HM6-027	PIN	22	4.00
HM6-051	KEY	22	2.00
HM6-058	RING	29	2.00
HM6-071	BEARING	22	22.00
HM6-102	RING	25	4.00
HM6-125	WASHER	22	2.00
HM6-126	BEARING	22	18.00
HM6-127	WASHER	25	2.00
HM6-137	SHAFT	29	360.00
HM6-156	PIN	29	18.00
HM6-173	BRUSH	22	18.00
HM6-195	KEY	25	4.00
HM6-204	SHAFT	22	362.00
HM6-207	GEAR	22	228.00
HM6-210	KEY	25	4.00
HM6-211	KEY	25	2.00
HM6-219	CLAMP	25	190.00
HM6-222	SHAFT	25	522.00
HM6-270	GEAR	29	172.00
HM6-271	SCREW	22	40.00
HM6-288	SEAL	22	28.00
HM6-298	WORM	22	358.00
HM6-345	LOCKNUT	22	8.00
HM6-347	NUT	25	6.00
HM6-372	SHAFT	22	652.00
HM6-382	GEAR	22	178.00
HM6-468	KNOB	25	12.00
HM6-506	DRIVE	22	178.00
HM6-510	RING	22	4.00

Item Number	Item Descrip.	Page #	List Price
HM6-526	BEARING	25	24.00
HM6-636	BEARING	29	16.00
HM6-651	SEAL	29	12.00
HM6-671	CAP	29	12.00
HM6-692	GEAR	29	586.00
HM6-723	SCREW	29	8.00
HM6-731	PLATE	25	52.00
HM6-735	GEAR	22	396.00
HM6-739	BEARING	29	14.00
HM6-741	SCREW	29	4.00
HM6-744	SCREW	29	4.00
HM6-826	KIT	25	214.00
HM6-937	BEARING	22	36.00
HM6-948	BEARING	25	50.00
HM8-061	BEARING	24	26.00
HM8-107	BELT	25	64.00
HM8-221	SHAFT	24	378.00
HM8-234	BRUSH	22	36.00
HM8-247	RING	24	2.00
HM8-288	KEY	29	2.00
HM8-318	BELT	24	12.00
HM8-424	RING	29	6.00
HM8-670	KEY	24	2.00
HM8-717	PIN	29	20.00
HM8-746	BEARING	24	28.00
HM8-749	SHAFT	29	574.00
HM8-937	KEY	24	2.00
HMBT-223	DOLLY	12	370.00
HMBT-CASTOR	CASTORS	12	106.00
HMG-0196	KEY	77	4.00
HMG-070	SEAL	77	60.00
HMG-131	SWITCH	79	58.00
HMG-141	ACTUATOR	79	40.00
HMG-177	LOCKWASHER	77	4.00
HMG-183	BEARING	77	20.00
HMG-220	BEARING	77	64.00
HMG-223	BLOCK	79	40.00
HMG-225	BLOCK	79	22.00
HMG-228	BEARING	77	104.00
HMG-266	STUD	79	30.00
HMG-272	CAP	79	18.00
HMG-273	CAP	79	18.00
HMG-407	LOCKNUT	77	8.00
HMG-430	KEY	77	2.00
HMG-478	CLAMP	79	4.00
HMG-5196	SEAL	77	32.00
HMG-523	SWITCH	79	38.00
HMG-528	SWITCH	79	24.00
HMG-556	SWITCH	79	74.00
HMG-557	SWITCH	79	56.00
HMG-591	SEAL	77	42.00
HMG-629	TUBE	79	26.00
HMG-635	SHAFT	77	634.00
HMG-657	SEAL	77	44.00
HMG-681	FOOT	78	8.00
HMG-713	BELT	77	222.00
HMG-714	BELT	77	48.00
HMG-721	BEARING	77	22.00
HMG-743	SHAFT	77	294.00
HMG-811	STUD	79	42.00
HMG-812	STUD	79	42.00
HMG-813	STUD	79	46.00
HMG-857	NUT	78	4.00
HMG-864	NUT	78	28.00
HMG-953	DEFLECTOR	78	124.00
HMG-FTT	TUBE	78	16.00
HML-145	PLUNGER	14	90.00
HML-753	PLUNGER	14	176.00
HMSS-19	SAW	111	40.00
HMSS-24	SAW	111	42.00
HMSS-25	SAW	111	44.00
HOB 84141	KNIVES	144	40.00
HOB 84142/5	KNIVES	144	60.00
HOB 84181D	KNIVES	144	62.00
HOL006	RING	80	192.00
HOL012	RING	80	182.00

Item Number	Item Descrip.	Page #	List Price
HOL015	BUSHING	80	18.00
HOL022	CUP	153	18.00
HOL025	BUSHING	80	36.00
HOL027	BUTTON	82	154.00
HOL028	BUTTON	82	204.00
HOL029	SHAFT	80	292.00
HOL047C	HOPPER	153	294.00
HOL048	CASTER	81	76.00
HOL050C	HOPPER	153	192.00
HOL061	ARM	153	46.00
HOL066	KNIOB	152	18.00
HOL075	FITTING	81	4.00
HOL076	SPRING	152	4.00
HOL079	CAP	81	94.00
HOL090	PIN	80	4.00
HOL093	SPRING	152	4.00
HOL095	INSERT	152	16.00
HOL102	BUSHING	151	18.00
HOL107	BOLT	152	16.00
HOL108	SHAFT	80	4.00
HOL109	TUMBLER	80	272.00
HOL111	SPRING	152	4.00
HOL112	SHAFT	80	98.00
HOL113C	HOPPER	153	176.00
HOL127	TUMBLER	80	266.00
HOL134	SHAFT	80	40.00
HOL135	SHAFT	80	56.00
HOL140	WRENCH	151	64.00
HOL147	SWITCH	152	94.00
HOL152	NUT	81	2.00
HOL161	BELT	152	24.00
HOL167	BUSHING	152	48.00
HOL175	FUSE HOLDER	82	34.00
HOL177	BOLT KIT	151	32.00
HOL178	INSERT	151	94.00
HOL181	TUMBLER	80	550.00
HOL182	BOLT	152	4.00
HOL188	LOCK PIN	151	14.00
HOL199	SCREW	80	70.00
HOL202	NUT	81	6.00
HOL204	PIN	80	4.00
HOL206	PIN	151	6.00
HOL212	CUP	153	18.00
HOL214	CUP	153	18.00
HOL215	CUP	153	18.00
HOL217	CUP	153	18.00
HOL219	SCREW	81	10.00
HOL224	CUP	153	4.00
HOL227	BOLT	152	16.00
HOL229	DEFLECTOR	81	202.00
HOL237	SCREW	80	86.00
HOL287	SHAFT	81	94.00
HOL288	LEG	81	176.00
HOL307	GEAR	152	250.00
HOL348	ROD	153	32.00
HOL363	SHAFT	80	580.00
HOL376	SENSOR	151	200.00
HOL377	ROLLER	151	120.00
HOL390	LEG	81	180.00
HOL395	INSERT	152	22.00
HOL412	PLATE	151	6.00
HOL421	HOPPER	153	320.00
HOL421C	HOPPER	153	314.00
HOL433	NUT	81	6.00
HOL500	CASTER	81	106.00
HOL504	BLOCK	81	248.00
HOL508	SHAFT	80	394.00
HOL510	SHAFT	80	18.00
HOL547	PLATE	152	8.00
HOL556	SPRING	152	4.00
HOL595	INSERT	152	22.00
HOL635	SCREW	81	10.00
HOL637C	HOPPER	153	314.00
HOL647C	HOPPER	153	294.00
HOL655	BOLT	81	4.00
HOL666	COMPRSR	153	308.00

Item Number	Item Descrip.	Page #	List Price
HOL668	COMPRSR	153	300.00
HOL671	SWITCH	82	168.00
HOL686	COMPRSR	153	300.00
HOL688	COMPRSR	153	300.00
HOL695	ARM	151	372.00
HOL753	PIN	80	4.00
HOL757	SHAFT	81	450.00
HOL762	SEAL	81	66.00
HOL763	SEAL	81	30.00
HOL764	BEARING	81	302.00
HOL765	RING	81	10.00
HOL791	INSERT	151	10.00
HOL807	BUSHING	80	28.00
HOL856	BELT	152	8.00
HOL862	BELT	152	12.00
HOLABA	ASSMBLY	82	76.00
HOLARK	KIT	82	52.00
HOLCK1	STARTER	82	360.00
HOLCK2	STARTER	82	362.00
HOLCSR	CORD	82	30.00
HOLFPKIT	PEDAL	82	14.00
HOLFUSE	FUSE	82	46.00
HOLSIA	ASSMBLY	82	88.00
HOLSPD	PEDAL	82	8.00
HOS012	RING	127	2.00
HOS019	SCREW	131	10.00
HOS048	WHEEL	130	704.00
HOS102A	SCRAPER	130	4.00
HOS104	ROD	130	4.00
HOS106	BLOCK	104	4.00
HOS112	CLEANER	104	2.00
HOS113	CLEANER	129	2.00
HOS114	BEARING	129	14.00
HOS115	SHAFT	129	108.00
HOS119	HARDWARE	129	10.00
HOS12	BLOCK	132	4.00
HOS121	PLUG	129	24.00
HOS122	PLUG	129	22.00
HOS123	WIPER	129	4.00
HOS124-01	GUIDE	129	24.00
HOS125	SCREW	127	6.00
HOS125-01	GUIDE	129	24.00
HOS126	WHEEL	129	390.00
HOS127	LEVER	129	6.00
HOS128A	SCREW	130	110.00
HOS13	CLEANER	132	6.00
HOS131	STUD	129	12.00
HOS137	BEARING	130	12.00
HOS138	SHAFT	131	188.00
HOS14	CLEANER	132	2.00
HOS140	SHAFT	129	92.00
HOS141	SHOE	127	4.00
HOS142	RETAINER	131	14.00
HOS143	BUSING	131	80.00
HOS144	SHAFT	131	194.00
HOS147	KNOB	130	10.00
HOS15V	GUIDE	132	14.00
HOS161	STUD	127	2.00
HOS19	RING	127	2.00
HOS191	SHAFT	131	198.00
HOS194	HANDLE	128	24.00
HOS226	PLUG	127	4.00
HOS235	COVER	127	8.00
HOS26V	GUIDE	132	6.00
HOS27	BLOCK	132	4.00
HOS273	PIN	129	6.00
HOS28V	GUIDE	132	12.00
HOS29	CLEANER	132	4.00
HOS30	SPRING	132	4.00
HOS31	CLEANER	132	2.00
HOS32	STUD	132	14.00
HOS33	SPRING	132	2.00
HOS333	SCREW	127	2.00
HOS34	PLUG	132	2.00
HOS363	ASSMBLY	131	320.00
HOS37	BRACKET	132	106.00

Item Number	Item Descrip.	Page #	List Price
HOS41	WHEEL	130	398.00
HOS413	RING	131	4.00
HOS42N	PIN	132	4.00
HOS42W	PIN	132	4.00
HOS43	LEVER	130	8.00
HOS435	PLATE	131	72.00
HOS447	COVER	129	208.00
HOS45	CLIP	130	8.00
HOS47	BUMPER	130	2.00
HOS48A	ASSMBLY	130	8.00
HOS49A	ASSMBLY	132	4.00
HOS501	SEAL	131	8.00
HOS502	SEAL	131	8.00
HOS50A	WIPER	130	16.00
HOS512	SWITCH/BRCKT	128	164.00
HOS536	BEARING	131	16.00
HOS55A	WIPER	130	24.00
HOS56A	WIPER	130	26.00
HOS582	KNOB	131	6.00
HOS59	PLUG	128	8.00
HOS611	COVER	131	24.00
HOS612	COVER	131	24.00
HOS653	PIN	127	244.00
HOS658	WHEEL	129	430.00
HOS660	GUIDE	130	150.00
HOS672	HOLDER	128	200.00
HOS686	CATCH	131	4.00
HOS706	SCREW	131	6.00
HOS766	LOCK	127	6.00
HOS782	SPRING	127	6.00
HOS787	SPRING	127	6.00
HOS789	ROLLER	131	6.00
HOS795	LEVER	127	22.00
HOS798	WIPER	129	24.00
HOS799	WIPER	129	4.00
HOS805	SEAL	129	10.00
HOS806	SPACER	129	10.00
HOS811	BEARING	127	6.00
HOS822	BUMPER	127	4.00
HOS842	HOLDER	131	78.00
HOS845	RETAINER	127	160.00
HOS846	BASE	128	300.00
HOS849	SCREW	127	16.00
HOS850	INSERT	128	6.00
HOS851	STUD	131	4.00
HOS861	COVER	129	182.00
HOS87A	BRACKET	131	198.00
HOS93	KNOB	130	8.00
HOS95	MOUNT	130	106.00
HOS998	BAFFLE	131	246.00
HOS999	WHEEL	128	676.00
HOS-GUIDE	GUIDE	128	368.00
HOS-HARDWARE		128	8.00
HOS-REPAIR	REPAIR	128	100.00
HR-113	BRICK	148	38.00
HR-131	GEAR	148	78.00
HR-164	PILOT LIGHT	148	32.00
HR-180	VALVE	148	262.00
HR-184	SHAFT	148	36.00
HR-185	SKEWER	148	16.00
HR-186	SKEWER	148	14.00
HR-191	COLLAR	148	14.00
HR-192	GEAR	148	40.00
HR-219	SCREW	148	2.00
HR-560	GEAR	148	60.00
HR-759	BEARING	148	84.00
HR-765	BEARING	148	46.00
HRNG-12	RING	77	116.00
HRNG-22	RING	77	170.00
HRNG-32A	RING	77	20.00
HRNG-32B	RING	77	166.00
HS1818	BOARD	96	116.00
HS1821	FUSE	96	6.00
HS1823	HOLDER	96	16.00
HS1824	ROD	96	168.00
HS1832	LIGHT	96	16.00

Item Number	Item Descrip.	Page #	List Price
HS1836	LIGHT	96	16.00
HS1872	SWITCH	96	18.00
HS1879	SWITCH	96	32.00
HS1881	THERMOSTAT	96	30.00
HS2145	KNOB	96	8.00
HS3005	AXLE	96	36.00
HS3010	RETAINER	96	6.00
HS3047	AXLE	96	52.00
HS5901	COVER	96	26.00
HS5902	COVER	96	24.00
HS5903	COVER	96	30.00
HS5904	COVER	96	26.00
HS5905	COVER	96	26.00
HS6101	KIT	96	258.00
HS6102	KIT	96	262.00
HS6108	PILOT LIGHT	96	16.00
HS6110	ELEMENT	96	26.00
HS6113	CAP	96	36.00
HS6114	BLOCK	96	36.00
HS6140	KIT	96	30.00
HS6301	KIT	96	108.00
HS6305	KIT	96	30.00
HS6375	KIT	96	48.00
HS6504	ELEMENT	96	36.00
HS-HOB-FUSE	FUSE	96	4.00
HSB-19	BLADE	111	6.00
HSB-21	BLADE	111	6.00
HSB-23	BLADE	111	6.00
HSB-24	BLADE	111	6.00
HSB-25	BLADE	111	6.00
HSB-26	BLADE	111	6.00
HSB-27	BLADE	111	6.00
HSMF-12	FILM	95	110.00
HSMF-18	FILM	95	180.00
HSP-018	PLATE	147	80.00
HSP-116	PLATE	147	80.00
HSP-316	PLATE	147	80.00
HSP-332	PLATE	147	80.00
HSP-516	PLATE	147	80.00
HSP-732	PLATE	147	80.00
HST-6	STOMPER	5	16.00
HT-132	UNIT	149	1,336.00
HT-348	COVER	149	172.00
HT-481	SWITCH	149	20.00
IMP010	ROLLER	86	1,390.00
IMP024	ROLLER	86	2,798.00
IMP-T4	CUTTER	86	358.00
JAC-10	BLADE	142	242.00
JE	JUICER	20	52.00
K1	PIN	158	4.00
K10	O RING	158	2.00
K11	TRIGGER	158	164.00
K12	SCREW	158	28.00
K13	SPRING	158	4.00
K14	BREECH	158	646.00
K15	EJECTOR	158	110.00
K16	PIN	158	16.00
K17	SPRING	158	4.00
K18	SPRING	158	4.00
K19	BREECH	158	426.00
K2	WASHER	158	2.00
K20	BOLT	159	294.00
K21	O RING	159	4.00
K22	PLATE	159	4.00
K23	DAMPENER	159	12.00
K24	BARREL	159	630.00
K25	O RING	158	2.00
K26	COVER	158	100.00
K27	MUZZLE	159	74.00
K28	CATCH	158	8.00
K29	SPRING	158	6.00
K3	CAP	158	50.00
K4	CAP	158	2.00
K40	BOLT	158	310.00
K41B	BUFFER	158	6.00
K41R	BUFFER	158	6.00

Item Number	Item Descrip.	Page #	List Price
K42	BARREL	158	630.00
K43	MUZZLE	158	110.00
K44	BALLS	158	2.00
K45	RING	158	6.00
K45B	BEATER	20	24.00
K45DH	HOOK	20	24.00
K45SBWH	BOWL	20	86.00
K45WW	WHIP	20	32.00
K46	BOLT	159	550.00
K47	BARREL	159	866.00
K5	GUIDE	158	100.00
K50	BOLT	159	586.00
K51	BARREL	159	810.00
K52	BUFFER	159	14.00
K53	WASHER	159	2.00
K54	NUT	159	6.00
K55	WASHER	159	2.00
K56	HEAD	159	88.00
K57	BUSHING	159	164.00
K5AB	BEATER	20	24.00
K5ADH	HOOK	20	22.00
K5ASBP	BOWL	20	92.00
K5AWW	WHIP	20	30.00
K5AWWC	WHIP	20	38.00
K5THB	BEATER	20	22.00
K6	O RING	158	4.00
K60	WRENCH	162	100.00
K61	BAR	162	62.00
K62	BRUSH	162	24.00
K63	HOOK	162	6.00
K64	HANDLE	162	22.00
K7	SPRING	158	4.00
K70	BIT	162	20.00
K71	OIL	162	18.00
K72	PASTE	162	90.00
K73	BRUSH	162	90.00
K74	HANDLE	162	60.00
K75	LABEL	162	2.00
K8	PIN	158	130.00
K9	RING	158	60.00
KAFE7L	BEATER	20	88.00
KAWE-21	PROD	160	202.00
KAWE-EXT	HANDLE	160	72.00
KC	STUNNER	157	2,214.00
KD-1/2	DISC	3	44.00
KD-1/4	DISC	3	46.00
KD-3/16	DISC	3	52.00
KD-3/32	DISC	3	58.00
KD-5/16	DISC	3	44.00
KD-5/32	DISC	3	64.00
KD-5/64	DISC	3	76.00
KD-GD	DISC	3	60.00
MAP KE-280	SHARPENER	106	240.00
MAP KHBC08MER	ARM	20	110.00
MAP KHBC414OB	BLENDER	19	1,070.00
MAP KHBC418OB	BLENDER	19	1,210.00
KICAOWH	ICE MAKER	20	170.00
KK	STUNNER	157	1,690.00
KL	STUNNER	157	2,142.00
KN256BBT	BEATER	20	24.00
KN256WW	WHIP	20	32.00
KN25NSF	BOWL	18	126.00
KN2B6PEH	BOWL	20	108.00
KNF RACK SS	RACK	119	44.00
KNR	RACK	119	24.00
KNS25DHNSF	HOOK	20	40.00
KP26M1XWH	MIXER	19	878.00
KPEX	PASTA	20	1,018.00
KPEXTA	EXTRUDER	6	346.00
KR	STUNNER	157	1,690.00
KRNM-A02SW	SWITCH	87	36.00
KRNM-A06	KNOB	87	92.00
KRNM-A10	DRIVE	87	178.00
KRNM-A13	GEAR	87	64.00
KRNM-A23	BELT SET	87	122.00
KS	STUNNER	157	1,760.00

Item Number	Item Descrip.	Page #	List Price
MAP KSBC1B0BM	BLENDER	19	1,210.00
MAP KSBC1B0CU	BLENDER	19	1,210.00
MAP KSM8990WH	MIXER	18	1,220.00
KSM95WH	MIXER	19	720.00
KSMC50B	BEATER	20	36.00
KSMC7QBOWL	BOWL	20	136.00
KSMC7QDH	HOOK	20	78.00
KSMC7QEW	WHIP	20	70.00
KSMC7QFB	BEATER	20	64.00
MAP KSMC895WH	MIXER	18	1,290.00
KSMC8QBOWL	BOWL	18	142.00
KSMPRA	ROLLER	20	378.00
L12 BP	BEATER	14	268.00
L12 SDH	HOOK	14	296.00
L12 SSBW	BOWL	14	1,038.00
L12 WHP	WHIP	14	198.00
L140 BP	BEATER	14	998.00
L140 SDH	HOOK	14	1,780.00
L140 SSBW	BOWL	14	7,676.00
L140 WHP	WHIP	14	1,530.00
L20 BP	BEATER	14	282.00
L20 SDH	HOOK	14	364.00
L20 SSBW	BOWL	14	998.00
L20 WHP	WHIP	14	516.00
L30 SSBW	BOWL	14	1,958.00
L30/40 BP	BEATER	14	392.00
L30/40 SDH	HOOK	14	486.00
L30/40 WHP	WHIP	14	598.00
L40 SSBW	BOWL	14	2,194.00
L60 BP	BEATER	14	518.00
L60 SDH	HOOK	14	738.00
L60 SSBW	BOWL	14	2,998.00
L60 WHP	WHIP	14	778.00
L80 BP	BEATER	14	698.00
L80 SDH	HOOK	14	1,336.00
L80 SSBW	BOWL	14	5,180.00
L80 WHP	WHIP	14	958.00
LC-1	TRANSFMR	160	11,260.00
LETCUT-1	CUTTER	109	230.00
LETCUT-15	CUTTER	109	230.00
LG-01	GREASE	121	4.00
LG-03	GREASE	120	10.00
LG-04	GREASE	121	6.00
LG-14	GREASE	120	18.00
LG-21010	GREASE	120	6.00
LGEAR-QT	OIL	120	30.00
LG-SC	GREASE	120	12.00
LIDOFF	LIDOFF	117	10.00
LO-2	OIL	120	8.00
LO-51010	OILER	120	6.00
LO-GAL	OIL	120	100.00
LO-HS	SPRAY	120	16.00
LO-PT	OIL	120	18.00
LO-QT	OIL	120	28.00
LO-SC	LUBE	120	12.00
LST-8000	LABEL	102	140.00
LST-8010	LABEL	102	116.00
LST-8020	LABEL	102	98.00
LST-8030	LABEL	102	114.00
LST-8040	LABEL	102	154.00
LST-8050	LABEL	102	184.00
M-14	LINER(12)	114	6.00
MANDO1	MANDLN	116	78.00
M3	MOLD	114	16.00
MC-12	GRINDER	71	1,080.00
MC5	GRINDER	70	202.00
MDLA	NOZZLE	161	118.00
MDL D	NOZZLE	161	360.00
MH-C5	HOOK	118	6.00
MOS-8	OILSTONE	112	130.00
MOS-11	OILSTONE	112	178.00
MPM5	PATTY	115	22.00
OB-7053	BLADE	141	562.00
OBT-006	TOOL	141	196.00
OL-0002	FRAME	141	154.00
OL-0298	BLADES	141	90.00

Item Number	Item Descrip.	Page #	List Price
OL-2430	OVERLOAD	141	94.00
OL-3107	SPRING	141	6.00
OL-5001	PIN	141	34.00
OL-5102	SPRING	141	76.00
OL-7000	KNOB	141	48.00
OL-7705	CLIP	141	16.00
OL-8700	SPRING	141	190.00
ONCUT-14	SLICER	109	270.00
ONCUT-316	SLICER	109	270.00
P-1004	BOLT	4	12.00
P-1005	LATCH	4	20.00
P-1005A	SCREW	4	2.00
P-1007	KNOB	4	32.00
P-1008	HUB	4	60.00
P-1008-22	HUB	4	102.00
P-1009	SCREW	4	2.00
P-1010	SCREW	4	4.00
P-1011	GASKET	4	2.00
P-1012	PIN	4	8.00
P-1013	PIN	4	8.00
P-1014	PIN	4	8.00
P-1017	NUT	4	8.00
P-1018	SCREW	4	6.00
P-1022	NUT	4	16.00
P-1023	SPRING	4	6.00
P-1024	NUT	4	38.00
P-1026	COLLAR	4	34.00
P-1026-22	COLLAR	4	56.00
P-1026A	SCREW	4	8.00
P-1031	PIN	4	4.00
P-1035	PIN	4	14.00
P-1036	PUSHER	4	12.00
P12/22 SAFETY	STOMPER	76	26.00
P1222	STOMPER	76	34.00
P130CP	CONTAINER	90	22.00
P32S-14	STOMPER	76	84.00
PB-12	POWERBASE	71	910.00
PC4	CUTTER	118	8.00
PEXT-12	EXTRUDER	6	4,298.00
PM-1	PATTY MKR	114	110.00
POUCH STAND	STAND	93	82.00
POUCH-30749	POUCH	90	226.00
POUCH-30750	POUCH	90	86.00
POUCH-30752	POUCH	90	272.00
POUCH-30753	POUCH	90	260.00
POUCH-40751	POUCH	90	144.00
POUCH-40796	POUCH	90	196.00
PP-1K	PAPER	114	20.00
PP-24K	PAPER	114	304.00
PREP PLATE	PLATE	92	82.00
PRO350	SEALER	91	560.00
PRO380	SEALER	91	780.00
PS2L	HOLSTER	119	18.00
QKRM-1	ICECREAM	99	3,140.00
QUICKCREAM KIT		101	294.00
R303	BLADE	141	90.00
R345-H	BLADE	143	154.00
R6-OFF	BLADE	147	96.00
R6-STR	BLADE	147	66.00
RC-1	ASSMBLY	147	24.00
RC-2	ASSMBLY	147	30.00
RHUB18	HUB	74	156.00
RHUB964	HUB	74	156.00
RVSA	ATTCHMNT	20	108.00
SAFESLICER	SLICER	117	180.00
SC-02A	BELT	106	8.00
SC-02B	BELT	106	8.00
SC-02C	BELT	106	8.00
SC1	COVER	35	62.00
SC2	COVER	35	62.00
SC3	COVER	35	62.00
SE8 SS	KNIFE	35	280.00

Item Number	Item Descrip.	Page #	List Price
SHARPEASY BLU	SHARPNR	112	156.00
SHARPEASY RED	SHARPNR	112	156.00
SHARPEASY S/S	SHARPNR	112	188.00
SHARPEASY YLW	SHARPNR	112	156.00
SK01	HEAD	161	64.00
SK03	HOUSING	161	194.00
SK05	CAP	161	36.00
SK12	LEVER	161	60.00
SK14	NUT	161	2.00
SK15	SPRING	161	8.00
SK16	LEVER	161	18.00
SK17	SCREW	161	14.00
SL-0414	LADLE	105	6.00
SM,SK14-17	UNIT	161	22.00
SM01	HEAD	161	198.00
SM02 SK2	WASHER	161	6.00
SM03	HOUSING	161	334.00
SM04 SK4	WASHER	161	6.00
SM05	CAP	161	50.00
SM06 SK6	SPRING	161	18.00
SM07 SK7	STEM	161	90.00
SM08 SK8	O RING	161	12.00
SM09 SK9	WASHER	161	6.00
SM10 SK10	CONNECTOR	161	86.00
SM11 SK11	O RING	161	6.00
SM13 SK13	NUT	161	18.00
SP10	MIXER	15	5,500.00
SP20	MIXER	15	5,770.00
SP25	MIXER	15	7,990.00
SP30	MIXER	15	10,250.00
SP40	MIXER	15	17,750.00
SP60	MIXER	15	23,230.00
SP80PL	MIXER	15	33,050.00
SS TUBE SET	TUBES	108	36.00
SS10V	STUFFER	108	378.00
SS15V	STUFFER	108	418.00
SS5V	STUFFER	108	316.00
SSA	TUBES	20	22.00
STONE-CT	TOOL	36	12.00
SV1	SOUS VIDE	91	558.00
SW6000	WARMER	105	190.00
SW606	INSERT	105	58.00
TOMCUT-14	CUTTER	109	128.00
TOMCUT-316	CUTTER	109	128.00
TN-12	ATTCHMNT	7	524.00
TS-5SSV	STUFFER	108	806.00
TS-7SSV	STUFFER	108	1040.00
TS-10SSV	STUFFER	108	1150.00
TS-15SSV	STUFFER	108	1540.00
TT-69	HOT PLATE	104	298.00
TT-912	HOT PLATE	104	372.00
UN-50 S	STONE	36	8.00
UN-50 T	STONE	36	8.00
VCM-085	BEARING	146	30.00
VCM-161	HANDLE	146	558.00
VCM-162	SEAL	146	44.00
VCM-180	SEAL	146	118.00
VCM-182	WRENCH	146	204.00
VCM-203	O RING	146	178.00
VCM-218-02	HOUSING	146	806.00
VCM-2231/2	KIT	146	158.00
VCM-224	SWITCH	146	1,470.00
VCM-226	BEARING	146	124.00
VCM-234	PIN	146	56.00
VCM-236	SPANNER	146	70.00
VCM-260	NUT	146	174.00
VCM-265	SLEEVE	146	136.00
VCM-295	BLADE	146	850.00
VCM-296	BLADE	146	288.00
VCM-297	BLADE	146	850.00
VCM-298	BLADE	146	288.00
VCM-377	BLADE	146	1,062.00

Item Number	Item Descrip.	Page #	List Price
VCM-512	KNOB	146	28.00
VCM-837	NUT	146	300.00
VMKH-12	RACK	119	10.00
VMKH-24	RACK	119	18.00
VP112S	SEALER	91	1,380.00
VP120	SEALER	88	1,396.00
VP210	SEALER	88	1,486.00
VP215	SEALER	88	1,566.00
VP320	SEALER	88	3,142.00
VP321	SEALER	88	3,492.00
VP325	SEALER	88	3,662.00
VP330	SEALER	88	5,050.00
VP540	SEALER	89	3,662.00
VP545	SEALER	89	4,152.00
VP680	SEALER	89	7,498.00
VP731	SEALER	89	26,204.00
VP734	SEALER	89	30,590.00
MAP VS-12	ATTCH	3	930.00
VS-12DH	HOLDER	2	176.00
VS-12DHES	HOLDER	71	234.00
VS-12GD	DISC	2	42.00
VS-12K	KNIFE	3	110.00
VS-12KDS	ASSMBLY	3	330.00
VS-12KDS	ASSMBLY	71	350.00
VS-12SD-1/2	DISC	3	42.00
VS-12SD-1/4	DISC	3	42.00
VS-12SD-3/16	DISC	3	42.00
VS-12SD-3/32	DISC	3	46.00
VS-12SD-5/16	DISC	3	42.00
VS-12SD-5/64	DISC	3	54.00
VS-12ST	STUD	4	4.00
VS12F-HC	KNIFE	35	298.00
MAP VS-22	ATTCHMT	3	1,142.00
VS-22DH	HOLDER	2	296.00
VS-22H	HOUSING	2	510.00
VS-22KDS	HOLDER	3	428.00
VS-888	SET	3	670.00
VS-99D	DOOR	3	204.00
VS-99H	HOUSING	3	398.00
VS-99P	PLATE	3	118.00
WATER TANK	TANK	91	80.00
WEDGCUT-6	WEDGER	109	92.00
WEDGCUT-8	WEDGER	109	92.00
WEDGER BLOCK		115	10.00
WEDGER FRAME		115	36.00
X13 SS	KNIFE	34	280.00
Z3	TONGS	160	2,194.00
ZK-1	TONGS	160	2,172.00

Since 1938, ALFA International's name has been synonymous with a wide and unique selection of high quality foodservice products, competitive prices and prompt delivery services.

NOTE: Prices in RED Indicate That Those Prices Have GONE DOWN SINCE THE LAST CATALOG!



Telephone (914) 273-2222 or (800) 327-ALFA

Fax (914) 273-3666 or (800) 328-ALFA
4 Kaysal Court • Armonk, NY 10504

Email: sales@alfaco.com

Ask Us About BULK PRICING & Save BIG Today!

A Few of Our Satisfied Customers



Join us in
Welcoming
the Latest
Additions to the
ALFA Team!

FINN & BRAM LUNDQUIST
OCT 24, 2016

Mixer Bowls, Agitators & Parts for Bakeries



Slicer Blades & Parts for Delis



Specialty Products for Commercial Kitchens

Meat Grinders & Accessories for Butchers



HIGH QUALITY PRODUCTS AND PARTS YOU NEED FROM THE MAKERS YOU TRUST



CONTACT US TODAY! PHONE (800) 327-ALFA • FAX (800) 328-ALFA • EMAIL SALES@ALFACO.COM • www.ALFACO.COM
 ALFA INTERNATIONAL, 4 KAYSAL CT., ARMONK NY 10504