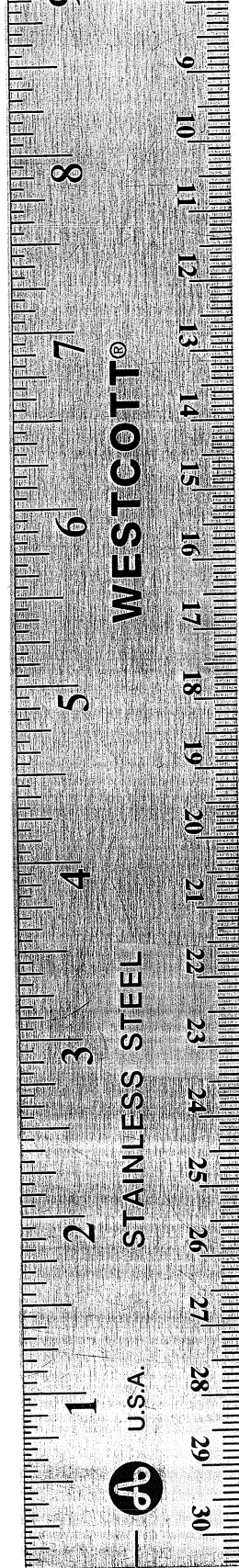


349R

Ring at each end



349L

Loop at each end

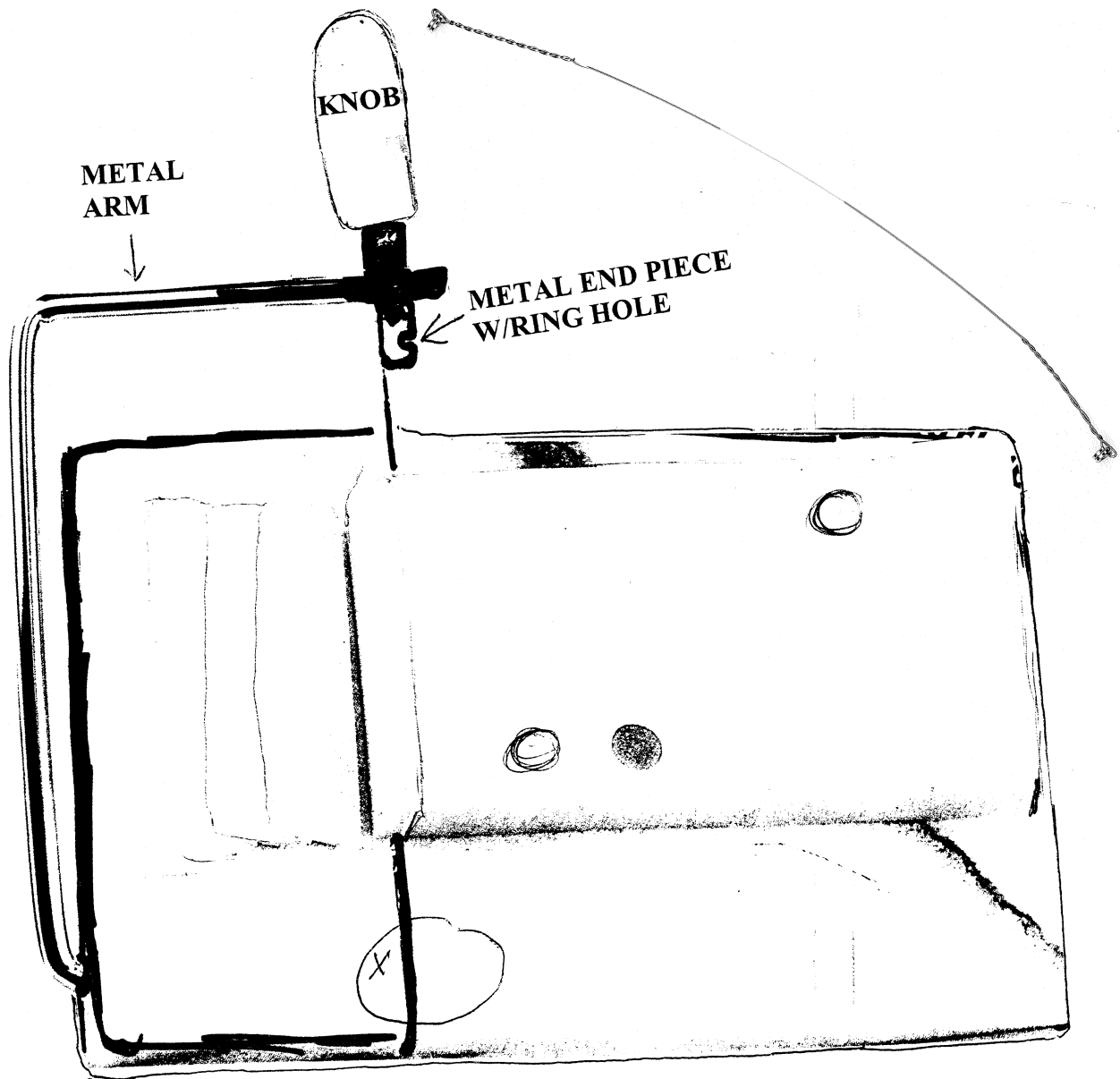


NORPRO MARBLE CHEESE SLICER #349R

WIRE REPLACEMENT INSTRUCTIONS

How to replace wire with ring ends:

- 1.) Remove old wire by unscrewing marble knob. Ring will come out.
- 2.) Swing arm forward all the way or until ring hole is seen through slit. Remove that end of the old wire.
- 3.) Now hook ring of new wire in that slit, pull tight to secure. Hold the wire tightly as you swing the metal arm back to upright position.
- 4.) Place other ring at end of wire, into the ring hole at end of metal piece which screws onto the marble knob on handle. Hold tightly, then screw knob into metal piece.
- 5.) NOTE: If wire does not fit straight or line up in the groove of the body, loosen the screw at the handle and reposition to line up or fit into the groove.



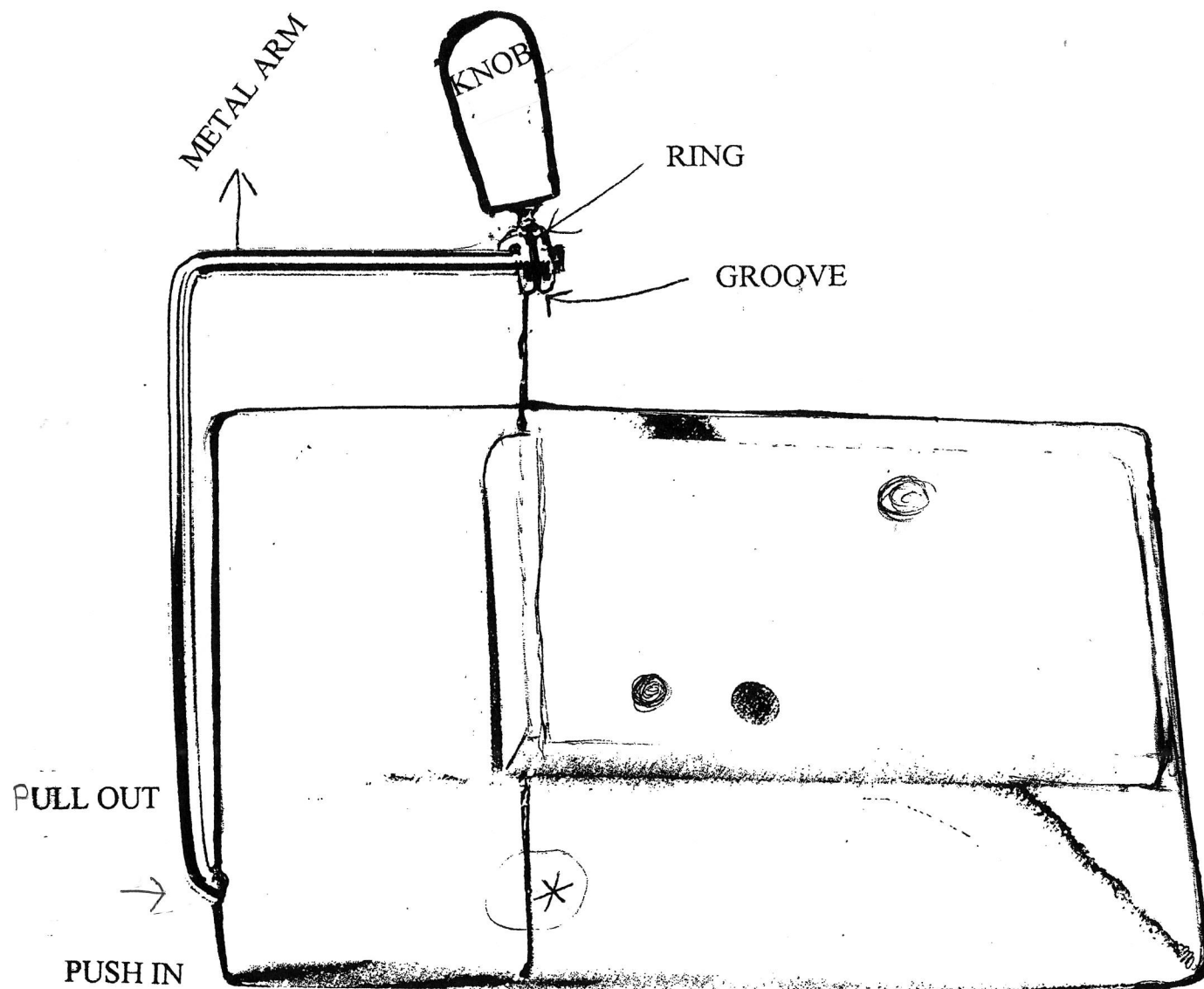
MARBLE CHEESE SLICER WITH #349L Wire Replacement Instructions

Remove old wire with loop end, by unscrewing marble knob from large ring that is attached to the arm. Then pull the other side of the handle out of the marble. The wire should come off.

To load a new wire, push metal arm back into the marble base while dangling the wire loop, to catch it onto the metal arm. Make sure it settles in the groove.

Then put the other end of the wire onto the threads of the marble handle and push it to the end of the threads. Now screw the ring onto the marble handle, but leave room for the metal arm to go through the ring. Now put the ring over the metal arm, making sure it is in the correct alignment with the groove on the marble base. You may have to put pressure on the metal arm to get the ring on.

Now position the marble handle and finish screwing it on. Yes, it will be tight.



NORPRO MARBLE CHEESE SLICER #349L WIRE REPLACEMENT INSTRUCTIONS

How to replace wire with loop ends:

- 1.) Remove old wire by unscrewing marble knob from large ring that is attached to arm.
- 2.) Pull arm out of marble base, removing any part of old wire.
- 3.) Load new wire: Push the arm back into the base just to catch the wire's loop into the slit as you hold onto the wire. Bring the other loop up behind the large ring centering in the groove. Put the knob screw through the loop, and then screw the knob into the ring.
- 4.) NOTE: If the wire does not fit straight or line up in the groove of the body, loosen the screw at the handle and reposition to line up or fit into the groove.

