



FOOD EQUIPMENT

INFRA-RED BULB WARMER

Model Series: 6000A-1,-2,-2B, & -3

OPERATING INSTRUCTIONS

INTRODUCTION

1. Please read instructions before using this appliance.
2. When using electrical appliances, basic precautions should always be followed to reduce the risk of fire, electric shock and injury.
3. Clean machine thoroughly before and after each use following the cleaning instructions provided below.

ELECTRICAL REQUIREMENTS

Plug warmer into a grounded outlet with correct voltage and sufficient power capacity. Refer to the product label (serial plate) on the warmer for voltage and wattage requirements.

SAFETY INSTRUCTIONS

1. **Warning!** All power must be disconnected at power source before any service procedure is performed.
2. This appliance is hot when in use. To avoid burns, do not let bare skin touch hot surfaces. Keep combustible materials, such as drapes and other furnishings, away from appliance.
3. Extreme caution is necessary when any appliance is used by or near children and whenever the appliance is left unattended.
4. Always unplug appliance when not in use and before cleaning, adjusting or maintaining this machine. To disconnect appliance, turn switch off and remove plug from power source.
5. Do not operate any appliance with a damaged cord or plug, after the appliance malfunctions, has been dropped, or damaged. Return appliance to an authorized service facility for examination, electrical or mechanical adjustment, or repair.
6. Do not use outdoors. This appliance is not intended for wet or moist locations. Never locate appliance where it may fall into water.
7. Connect to properly grounded outlets only. Avoid the use of extension cords. Do not run cord under carpeting, runners, or the like. Arrange cord away from traffic area and where it will not create a trip hazard.
8. This appliance is equipped with a power cord with a three-blade plug. Plug ONLY into a matching three-blade outlet. DO NOT cut or break off the third blade or attempt to use with a two-blade extension cord.
9. To prevent a possible fire, it is recommended that the unit is placed on a non-combustible surface.
10. This appliance has electrical parts. Do not use it in areas where gasoline, paint, or flammable liquids are used or stored.

PREPARATION

1. Set the unit on a flat surface.
2. Install bulbs with the appropriate wattage rating as indicated on the warmer.
3. If unit fails to work properly when first operated, call NEMCO customer service at 1-800-782-6761.

OPERATION

1. Plug cord into grounded electrical outlet of the correct voltage. Electrical shock can occur if appliance is not grounded.
2. Place food products in a pan, located directly under the bulbs for best results.
3. Turn unit off when not in use.
4. To disconnect appliance, turn switch off and remove plug from power source.

CLEANING

NOTE: Proper maintenance plays an important part in the life span and functioning of the warmer.

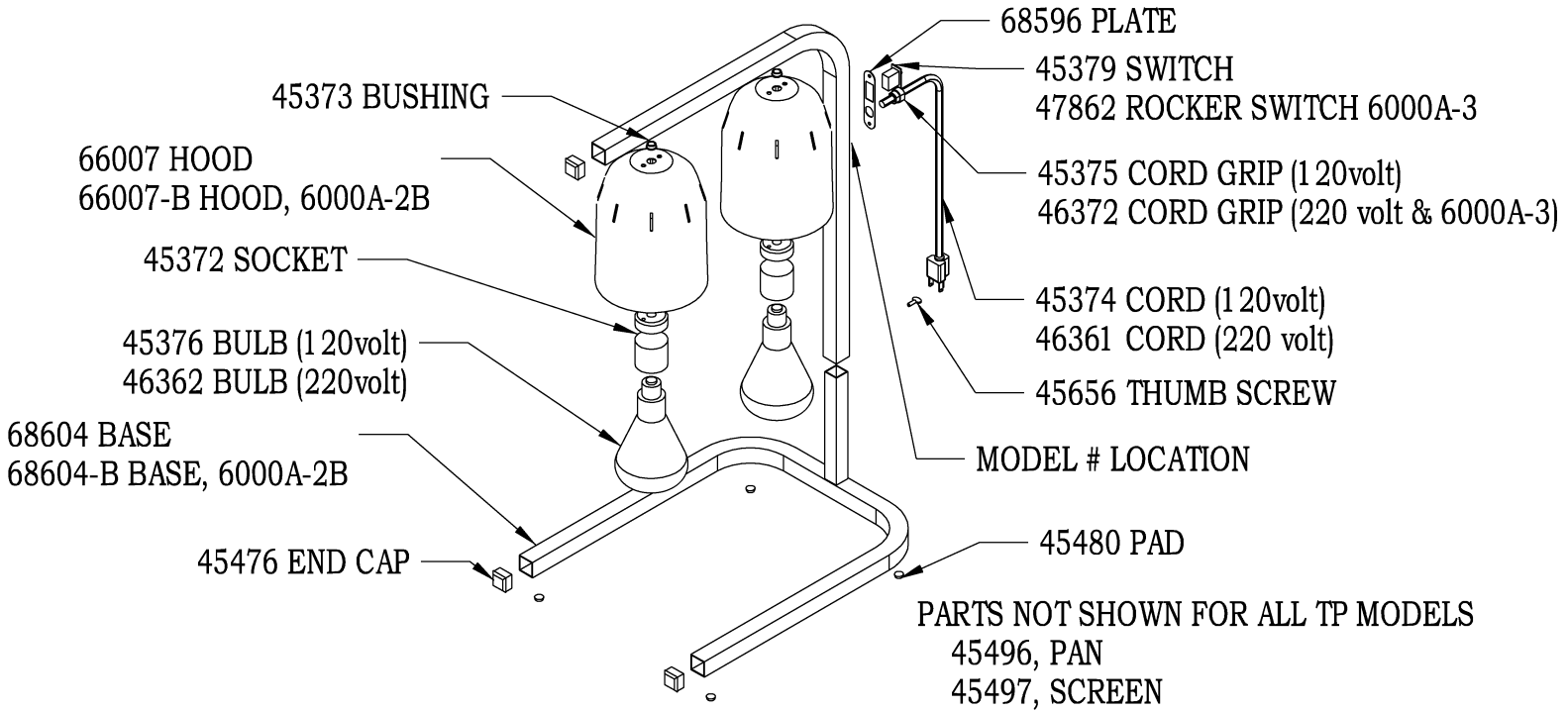
1. Unplug the cord and let warmer cool before cleaning or moving.
2. This unit can be cleaned with a damp sponge and mild soap. Rinse with clean water and wipe dry.
3. **Do not immerse in water or other liquid.** Do not clean with a water jet.

TROUBLESHOOTING

Lights not On	Check if unit is plugged in and power switch is turned to "ON" position
	Check power at receptacle
	Check if Bulb has blown
Loose Sockets	Turn off power and check if socket is loose or broken. Remove light bulb and tighten socket screws as necessary.
Loose Hoods	Turn off power and check if hood is loose. Remove light bulb and tighten hood screws as necessary.
Unit Blows Fuse or Circuit Breaker	Check to make sure circuit is not overloaded.

SERVICE INSTRUCTIONS

Repair: To avoid serious injury or damage, do not repair the warmer or replace a damaged power cord yourself. Repairs must be coordinated through: NEMCO Food Equipment customer service at 1-800-782-6761.



NEMCO FOOD EQUIPMENT 301 Meuse Argonne, Hicksville, OH 43526
 Phone: 419-542-7751 Fax: 419-542-6690 Toll Free: 1-800-782-6761
www.nemcofoodequip.com



45869
 3/30/11