



STAINLESS STEEL
REGALINE SINKS
 Three Compartments - Two Drainboards



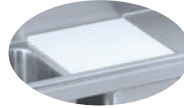
93 & 9 SERIES
 Welded Side
 Cross-Bracing

YES! It's SeaLess!



94 SERIES
 Welded Side & Adjustable
 Front & Rear Cross-Bracing

Item #: _____ Qty #: _____
 Model #: _____
 Project #: _____



Recessed Bowl Surface
 Accommodates
 Poly-Vance Cutting Boards
 & Sink Covers



CONSTRUCTION:

All TIG welded.
 Welded areas blended to match adjacent surfaces and to
 a satin finish.

Gussets welded to a die-embossed reinforcing channel.

MATERIALS:

- Spec-Line (94 Series):** 14 gauge type 304 stainless steel
 11" High Splash.
- Standard (93 Series):** 16 gauge type 304 stainless steel
 8" High Splash.
- Super Saver (9 Series):** 18 gauge type 304 stainless steel
 8" High Splash.

- LEGS:**
- 1 5/8" diameter tubular stainless steel.
 - Stainless steel gussets & channels.
 - Stainless Steel 1" adjustable bullet feet.

FEATURES:

Tile edge for ease of installation.
 One piece **Deep Drawn** sink bowls with integral
 drainboards with splash.
 All sink bowls have a large liberal 3" radius.
 Placement of the welded leg assembly ensures stability and
 furnishes direct support of the column load requirement for
 the entire sink unit.
"94" Series is supplied with adjustable front and rear cross brace
 featuring leg clamps to secure left to right cross bracing.

Bowl Size	O.A. Length	DRBD. Size	SPEC-LINE 94 Series		STANDARD 93 Series		SUPER SAVER 9 Series		Cu. Ft.
			Model #	WT.	Model #	WT.	Model #	WT.	
16" x 20"	91"	18"	14 Ga. 304 S/S 14" Water Level		16 Ga. 304 S/S 12" Water Level		18 Ga. 304 S/S 12" Water Level		
	103"	24"	94-3-54-18RL	230 lbs.	93-3-54-18RL	189 lbs.	9-3-54-18RL	182 lbs.	49
	127"	36"*	94-3-54-24RL	248 lbs.	93-3-54-24RL	197 lbs.	9-3-54-24RL	190 lbs.	55
20" x 20"	103"	18"	94-3-54-36RL	275 lbs.	93-3-54-36RL	239 lbs.	9-3-54-36RL	208 lbs.	96
	115"	24"	94-23-60-18RL	248 lbs.	93-23-60-18RL	203 lbs.	9-23-60-18RL	198 lbs.	59
	139"	36"*	94-23-60-24RL	276 lbs.	93-23-60-24RL	220 lbs.	9-23-60-24RL	195 lbs.	65
18" x 24"	109"	24"	94-23-60-36RL	408 lbs.	93-23-60-36RL	387 lbs.	9-23-60-36RL	364 lbs.	89
	97"	18"	94-63-54-18RL	323 lbs.	93-63-54-18RL	289 lbs.	9-63-54-18RL	226 lbs.	62
	133"	36"*	94-63-54-24RL	334 lbs.	93-63-54-24RL	304 lbs.	9-63-54-24RL	233 lbs.	85
24" x 24"	115"	24"	94-63-54-36RL	418 lbs.	93-63-54-36RL	367 lbs.	9-63-54-36RL	325 lbs.	96
	†127"	24"	94-43-72-24RL	390 lbs.	93-43-72-24RL	331 lbs.	9-43-72-24RL	318 lbs.	98
	†151"	36"*	94-43-72-36RL	448 lbs.	93-43-72-36RL	393 lbs.	9-43-72-36RL	345 lbs.	110
20" x 28"	103"	18"	94-83-60-18RL	358 lbs.	93-83-60-18RL	315 lbs.	9-83-60-18RL	277 lbs.	83
	115"	24"	94-83-60-24RL	394 lbs.	93-83-60-24RL	346 lbs.	9-83-60-24RL	305 lbs.	95
	139"	36"*	94-83-60-36RL	451 lbs.	93-83-60-36RL	398 lbs.	9-83-60-36RL	350 lbs.	109

* Regalines with 36" Drainboards are
 Supplied with Two Additional Legs
 (per drainboard) for Support.

† Requires Two Faucets

14" Water Level
 17" Flood Level

12" Water Level
 15" Flood Level

12" Water Level
 15" Flood Level

Weights & Cubes Are Approximate



Customer Service Available To Assist You 1-800-645-3166 8:30 am - 7:00 pm E.S.T.

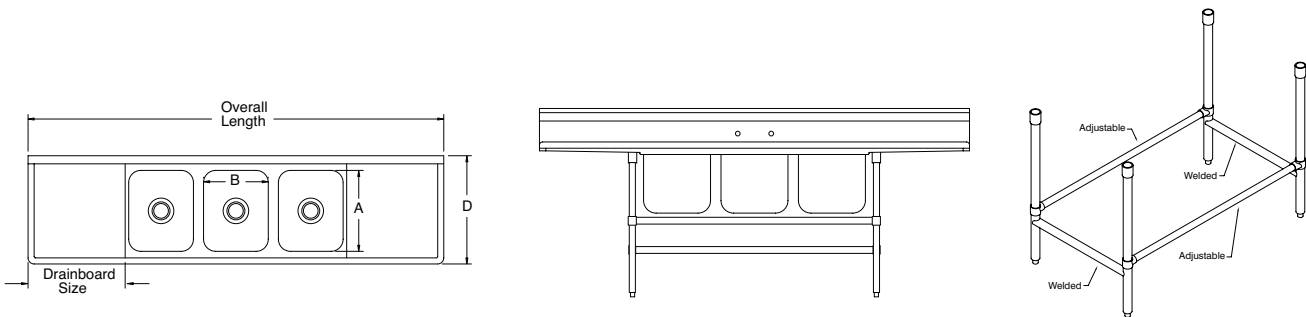
For Orders & Customer Service:
 Email: customer@advancetabco.com or Fax: 631-242-6900

For Smart Fabrication™ Quotes:
 Email: smartfab@advancetabco.com or Fax: 631-586-2933

DIMENSIONS and SPECIFICATIONS

TOL Overall: ± .500"
Interior: ± .250"

ALL DIMENSIONS ARE TYPICAL



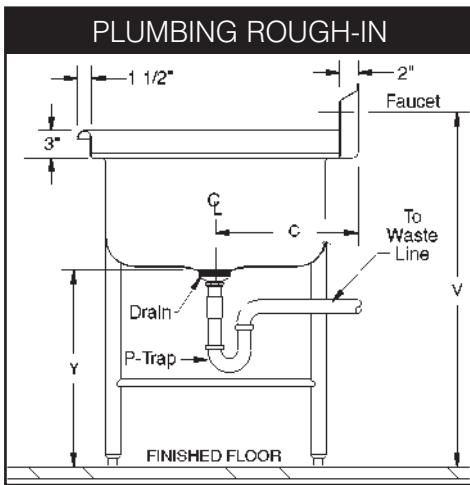
94 Series Includes front & Rear Adjustable Cross Bracing (Shown Above)

DESCRIPTION

BOWL (SIZE)	Overall Length	DRBD (SIZE)	Recommended Use	A	B	C	D	94 SERIES					9 & 93 SERIES				
								V	W	X	Y	Z	V	W	X	Y	Z
16x20	91"	18"	DISH SINKS	20"	16"	13 5/8"	27"	38"	11"	14"	20"	45"	38"	8"	12"	22"	42"
	103"	24"															
	127"	*36"															
20x20	103"	18"	DISH & POT SINKS	20"	20"	13 5/8"	27"	38"	11"	14"	20"	45"	38"	8"	12"	22"	42"
	115"	24"															
	139"	*36"															
18x24	97"	18"	POT & PAN SINKS	24"	18"	15 5/8"	31"	38"	11"	14"	20"	45"	38"	8"	12"	22"	42"
	109"	24"															
	133"	*36"															
24x24	127"	24"	POT SINKS	24"	24"	15 5/8"	31"	38"	11"	14"	20"	45"	38"	8"	12"	22"	42"
	151"	*36"															
20x28	103"	18"	PAN SINKS	28"	20"	17 5/8"	35"	38"	11"	14"	20"	45"	38"	8"	12"	22"	42"
	115"	24"															
	139"	*36"															

† Requires Two Faucets

* Regalines with 36" Drainboards are Supplied with Two Additional Legs (per drainboard) for Support.



MECHANICAL:

- Supply is 1/2" IPS hot & cold.
- Faucet holes on 8" centers.
- Faucets are not included (**see accessories**).
- Waste drains are 1 1/2" IPS S/S basket type, located in center of sink bowl, and are included.

