



Item No.: \_\_\_\_\_  
 Order No.: \_\_\_\_\_  
 Qty: \_\_\_\_\_ Date: \_\_\_\_\_

**HEAVY DUTY WALL MOUNT PRE-RINSE FAUCET**

**Features**

- Approximately 45" overall high
- A 3-Ply, 400 psi test hose
- Heavy duty brass construction and polished chrome finish
- Integral spring check valves to prevent cross-flow of hot & cold water
- standard hose length 44"

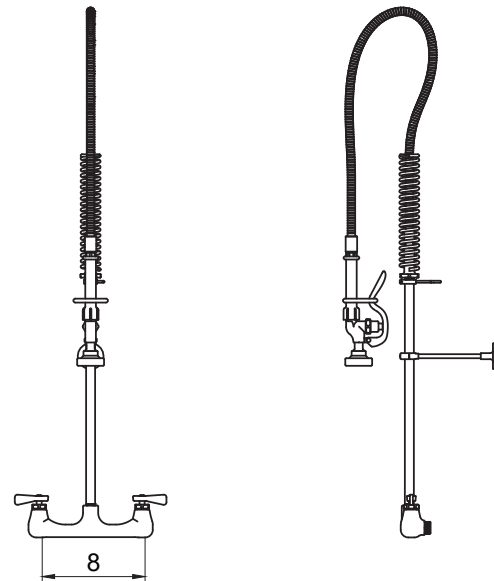
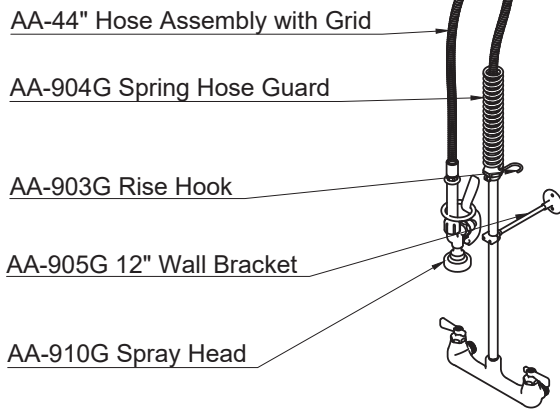
**Optional Add-On:**



**Description Heavy Duty Wall Mount Pre-Rinse Faucet**

This wall-mounted pre-rinse faucet with sprayer is perfect for rinsing excess food and sauces off of your dishes prior to running them through your commercial dish machine. Intended for janitorial and dishwashing use, this faucet is ideal for dish rooms, schools, grocery stores, kitchens, and more.

**Plan View AA-988GT**



Order No.	Description	Inlet Type	G. W. (lb)
AA-988GT	8" Wall Mount Pre-Rinse Faucet	1/2" NPT Female	53