



Your Solutions Partner

Specifications

F.O.B Sedalia, Missouri 65301



ADI-4MD

OPTIONS:

- Condensate Evaporator - **COND-EVAP**
- 220V - 50Hz compressor
- Remote installation of compressor
- False Bottom - FB
- Stainless steel louvered grille
- Designer Foodshields
- Stainless steel adapter panels
- Adapter bars

AGENCY LISTING:



DUKE MANUFACTURING CO.
2305 N. Broadway
St. Louis, MO 63102

800.735.3853 Toll Free
314.231.5074 Fax
www.dukemfg.com

Approval Stamp(s):

PRODUCT INFORMATION:

PROJECT: _____

ITEM: _____

QUANTITY: _____

MODEL:

Drop-Ins - Cold Pan

Mechanically Assisted Ice - 8" Deep

- ADI-1MD** (1) 6" Deep 12" x 20" pan
- ADI-2MD** (2) 6" Deep 12" x 20" pan
- ADI-3MD** (3) 6" Deep 12" x 20" pan
- ADI-4MD** (4) 6" Deep 12" x 20" pan
- ADI-5MD** (5) 6" Deep 12" x 20" pan
- ADI-6MD** (6) 6" Deep 12" x 20" pan

TOP RIM:

- Heavy gauge, 300 Series stainless steel
- Overhang on front, back and ends w/locking tabs
- Vinyl foam gasket as sealant
- 300 Series stainless steel cold pan liner
- Insulated all four sides and bottom
- 1" cast brass drain and plug
- Adapter bars furnished for full size pans

REFRIGERATION:

- Copper coils attached to all sides of liner - R134A refrigerant
- Open angle-iron suspended compressor compartment
- Remote mounted on/off switch with stainless steel face plate
- 6' cord and plug - NEMA 5-15
- Five year warranty on compressor motor

EXTERIOR HOUSING

- Heavy gauge paint grip steel

SHORT FORM SPECIFICATIONS:

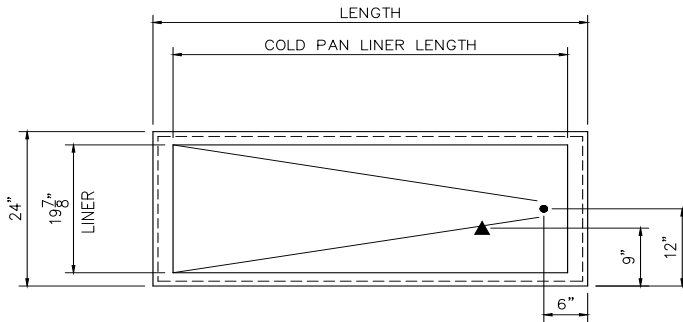
Duke Drop-Ins - Cold Pan - Mechanically Assisted - 8" Deep.

Top flange of heavy gauge 300 series s/s with overhang on 4 sides, refrigerated cold pan, s/s top and interior liner, heavy gauge paint grip steel exterior housing, with drain, remote mounted on/off switch, 8" deep liner, cord and plug, adapter bars for full size pans furnished. Note: Do not fully enclose compressor area. Two unrestricted openings of no less than 200 sq. inches required in cabinet for proper cooling.



DROP - INS
Cold Pans
Mechanically Assisted Ice - 8" Deep

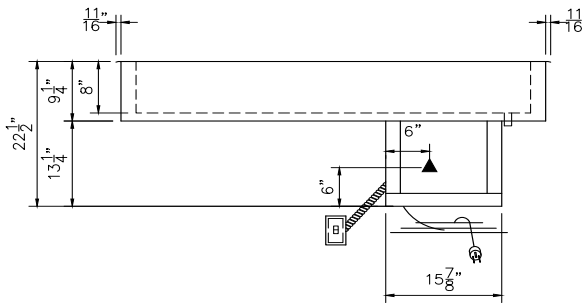
- ADI-1MD** (1) 6" deep 12" x 20" pan
- ADI-2MD** (2) 6" Deep 12" x 20" pan
- ADI-3MD** (3) 6" Deep 12" x 20" pan
- ADI-4MD** (4) 6" Deep 12" x 20" pan
- ADI-5MD** (5) 6" Deep 12" x 20" pan
- ADI-6MD** (6) 6" Deep 12" x 20" pan



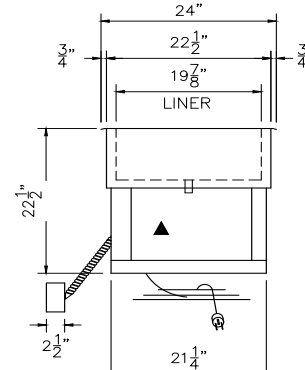
ADI-4MD UNIT SHOWN

TOP VIEW

LEGEND	
▲	- ELECTRICAL CONNECTION
●	- DRAIN LOCATION



FRONT VIEW



RIGHT SIDE VIEW

+

DIMENSIONS - Liners are 19-7/8" (50.6 cm) W; cutouts 23" (58.4cm) W

FREIGHT CLASS: 100

Model	Length		Width		Height		Cube ft crated	Adapt-er Bars	Weight		Cold Pan - L		Cutout - L	
	in	cm	in	cm	in	cm			lbs	kg	in	cm	in	cm
ADI-1MD	18	45.7	24	61.0	22 1/2	54.0	11.4	0	150	68.2	12	30.5	17	44.5
ADI-2MD	32	81.3	24	61.0	22 1/2	54.0	18.0	1	160	72.7	26	66.0	31	80.0
ADI-3MD	46	116.8	24	61.0	22 1/2	54.0	24.7	2	230	104.6	40	101.6	45	115.6
ADI-4MD	60	152.4	24	61.0	22 1/2	54.0	31.3	3	280	127.3	54	137.2	59	151.1
ADI-5MD	74	188.0	24	61.0	22 1/2	54.0	37.9	4	340	154.6	68	172.7	73	186.7
ADI-6MD	88	223.5	24	61.0	22 1/2	54.0	44.6	5	380	172.7	82	208.3	87	222.3

REMOTE CONTROL CUTOUT IS 4-1/8" H X 2-3/16" W

ELECTRICAL SPECIFICATIONS:

Model	120 Volt	
	Amps	HP
ADI-1MD	4.2	1/5
ADI-2MD	4.2	1/5
ADI-3MD	4.2	1/5
ADI-4MD	5.2	1/4
ADI-5MD	5.2	1/4
ADI-6MD	5.2	1/4

DUKE MANUFACTURING CO.

2305 N. Broadway
 St. Louis, MO 63102

800.735.3853 Toll Free
 314.231.1130 In Missouri
 314.231.5074 Fax
 www.dukemfg.com



Specification subject to change