



DORSET HALF BISTRO APRON

AHWAQ014 | 19"L x 31"W



7.8 oz. 100% cotton

Grommets for ties

Cell phone/notebook hip pockets with riveted ends

AVAILABLE COLORS:

NEW



EGG
(eggplant)

NEW



RUS
(rust)

NEW



GBN
(golden brown)



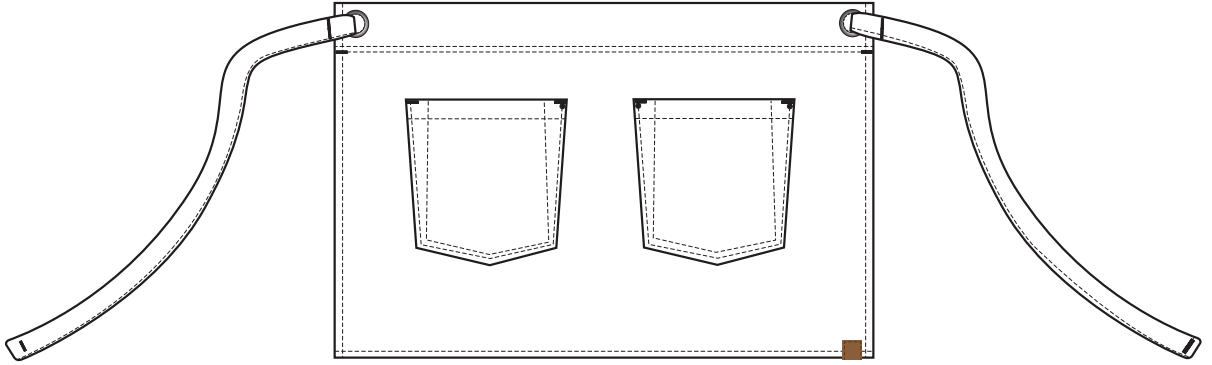
PEW
(pewter)



EAB
(earth brown)

DORSET

HALF BISTRO



AHWAQ014



- 7.8 oz. 100% cotton
- Antique washed artisan finish
- Grommets for ties
- Cell phone/notebook hip pockets with riveted ends
- 19"L x 31"W

Like a utility belt, only better, our Half Bistro Apron is cut to hit mid-thigh, and works not just for those behind the counter, but makes a great addition to any service pro. Crafted from stonewashed, heavy-duty cotton, the Dorset features two oversized hip pockets, with five distressed colors that are just begging to be broken in.



800.372.6621 | www.chefworks.com

Chef Works Corporate Headquarters • 12325 Kerran Street • Poway, CA 92064