



FOODSERVICE

CATALOG



TOP REASONS TO CHOOSE T&S BRASS

24-HOUR QUICK SHIP

Place your order before noon for same day processing and expedited shipping. You never have to worry about downtime or finding room for inventory. We make sure your order arrives when you need it.

WORLD-CLASS CUSTOMER SERVICE

A T&S trademark – our highly trained, friendly and knowledgeable staff answers your calls without delay. Existing customers can also access T&S through E-Store, our online ordering portal that provides convenience with ordering, tracking shipments and more. Register today at <http://register.tsbrass.com>

CUSTOM ENGINEERING AND MODIFICATIONS

Our engineers have the technical expertise and qualifications to design and build to your specific requirements. When needed, we can customize your order, so with confidence we say, “We can make it like you want it and get it to you when you need it.”

INTERCHANGEABILITY

For more than 75 years, our products have been manufactured to work together – handles, spouts, inlets, aerators and accessories. Our interchangeable philosophy gives you exceptional flexibility and performance efficiencies that are unsurpassed. Our standardized parts allow you to carry less inventory.

ENERGY AND WATER CONSERVING DESIGN

T&S understands how vital water conservation is today. We lead the way in the foodservice and plumbing industries with our extensive line of water- and energy-saving products that meet and exceed conservation requirements while not compromising performance.

EAST AND WEST COAST WAREHOUSES

Our warehouses are located on both coasts so we can serve you better and faster. Customer service representatives are available to take your calls between 8:00 a.m. EST and 5:00 p.m. PST.

QUALITY AND INNOVATION

Founded on a commitment to quality and innovation, T&S Brass introduced the industry’s first pre-rinse unit. Ever since that time we have set the standard for new products designed to keep up with evolving applications while cutting installation time. Our heavy-duty brass castings and cartridges have proven themselves as long-term fixture in many commercial applications. And we’re a leader on product safety.

EXTENSIVE PRODUCT LINE

We offer an extensive range of products for practically every industry – from plumbing and foodservice to laboratory, institutional, medical and even the pet market. You’ll find T&S in restaurants, hospitals, schools and hotels around the world. Whatever your application needs, we’ve got you covered or we’ll work with you to create the best possible solution.

RIGOROUS TESTING

At T&S, we test every single product we manufacture. Reliability Built In® means nothing gets past us, and you’ll never have to worry about product performance.

FAMILY OWNED AND OPERATED

Founded in 1947, T&S is a family owned and operated business committed to quality, innovation and the highest service to our customers. We manufacture products to solve real world problems and services designed to make your life simpler.

CODES AND COMPLIANCES

T&S products are manufactured to the highest standards in the industry, and are certified by a wide variety of national and international organizations, such as ISO, CSA, UL, NSF, IAPMO, ASSE and the list goes

on. We are committed to the safety and reliability of each fixture we make. When specific issues arise such as safe drinking water concerns* or water pressure limitations, you can trust us for solutions and products that are up to code.

*T&S products are ANSI/NSF Standard 61, Section 9 certified.





TABLE OF CONTENTS

ULTRARINSE®	1
LakeCrest®	3
WaveCrest®	5
EverSteel®	11
Pre-Rinse Units	19
Pre-Rinse Unit Accessories	21
Spray Assemblies	23
Pot Fillers	24
Pantry Faucets	25
Service Sink Faucets	27
Workboard Faucets	27
Glass Fillers	29
Other Foodservice Products	30
Tapmaster®	31
Hand Sinks	33
Hose Reel Systems	35
ChekPoint® Faucets	39
Safe·T·Link® Gas Hoses and Accessories	41
equip® Line	47



LOOKING FOR MORE INFORMATION?

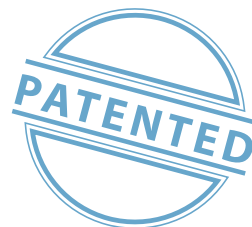
Scan the QR Codes to access specific product categories or contact Customer Service via website chat, text, phone and email:

customerservice@tsbrass.com | tsbrass.com

864-834-4102 | 800-476-4103

Increase food safety and reduce waste with

ULTRARINSE[®]



TWO LENGTHS AVAILABLE

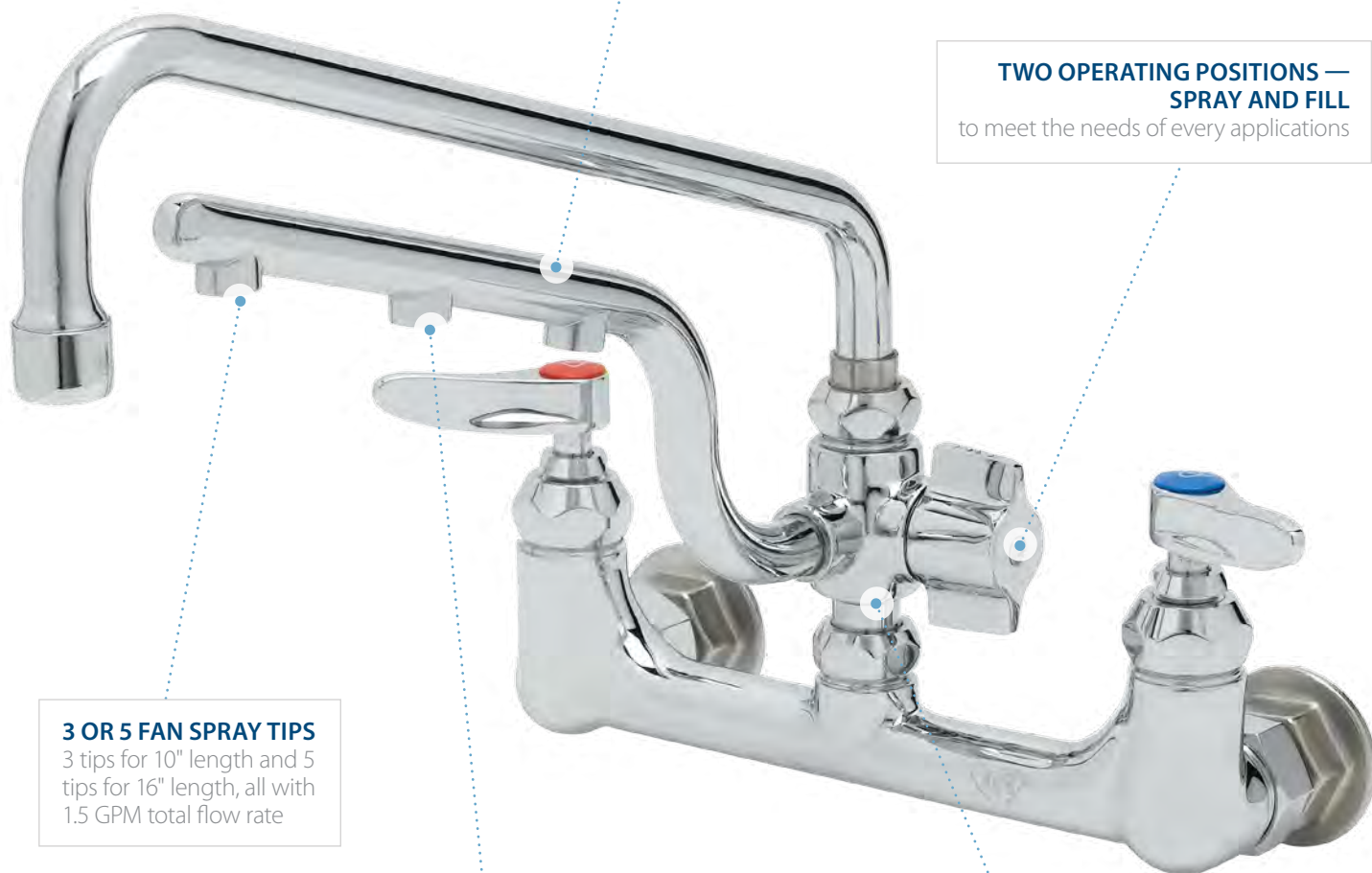
10" length for use with 12" nozzle
and 16" length for use with 18" nozzle

Retrofit Kits Available:

U12-KIT (10") & U18-KIT (16")

TWO OPERATING POSITIONS — SPRAY AND FILL

to meet the needs of every applications



3 OR 5 FAN SPRAY TIPS

3 tips for 10" length and 5
tips for 16" length, all with
1.5 GPM total flow rate

ANGLED FAN SPRAY TIPS

to maximize surface area
contact and clean and rinse
more quickly

EASILY RETROFITS

with T&S manual faucets and
pre-rinse units (requires swivel
outlet body)



ULTRARINSE[®]



B-0230-U18

- 8" wall mount mixing faucet
- 1.5 GPM 16" ULTRARINSE® multiple tip spray arm
- 18" swing nozzle
- Lock washer provided for rigid application
- Adjustable centers from 7 3/4" to 8 1/4"
- Quarter-turn Eterna cartridges with spring checks
- 1/2" NPT female eccentric inlets with 2" flanges
- **Installation Kit Available: B-0230-KIT**

B-0230-U18-CR

- Same as B-0230-U18 but with Cerama cartridges with check valves
- **Installation Kit Available: B-0230-KIT**

B-0231-U12

- Same as B-0230-U18 but 10" ULTRARINSE multiple tip spray arm and 12" swing nozzle
- **Installation Kit Available: B-0230-KIT**

B-0231-U12-CR

- Same as B-0231-U12 but with Cerama cartridges with check valves
- **Installation Kit Available: B-0230-KIT**



B-0113-U12-B

- Single hole deck mount pre-rinse unit with mixing faucet
- 1.5 GPM 10" ULTRARINSE® multiple tip spray arm
- 12" swing nozzle
- 24" rigid riser
- 44" flexible stainless steel hose with heat resistant gray handle and hold down ring
- 6" adjustable wall bracket
- Adjustable centers from 7 3/4" to 8 1/4"
- Quarter-turn Eterna cartridges with spring checks
- 18" flexible stainless steel supply hoses with 1/2" NPSM / 5/8" Eterna connections

B-0113-U12-CR-B

- Same as B-0113-U12-B but with Cerama cartridges with check valves



B-0133-U12-B

- 8" wall mount pre-rinse unit with mixing faucet
- 1.5 GPM 10" ULTRARINSE® multiple tip spray arm
- 12" swing nozzle
- 18" rigid riser
- 44" flexible stainless steel hose with heat resistant gray handle and hold down ring
- 6" adjustable wall bracket
- Adjustable centers from 7 3/4" to 8 1/4"
- Quarter-turn Eterna cartridges with spring checks
- 18" flexible stainless steel supply hoses with 1/2" NPSM / 5/8" Eterna connections
- **Installation Kit Available: B-0230-KIT**

B-0133-U12-CR-B

- Same as B-0133-U12-B but with Cerama cartridges with check valves
- **Installation Kit Available: B-0230-KIT**

Designer aesthetic faucets with commercial durability

LAKECREST™

BY T&S

5 SINGLE-LEVER MODELS:

For manual faucets

PROFESSIONAL-GRADE MATERIALS:

Make a first-class impression

0.5 GPM NON-AERATED SPRAY DEVICE*

CERAMA CARTRIDGES:

Two-year Warranty

MULTIPLE DECK-MOUNT OPTIONS:

- 8" concealed widespread
- 4" centerset
- Single hole

METERING OPTION:

With 10 – 30 second adjustable cycle



***Most models come standard with the vandal resistant 0.5 GPM concealed non-aerated spray device (V05).**

Optional outlet devices available upon request:

- Vandal resistant 0.35 GPM concealed non-aerated spray device (V035 - CALGreen)
- Vandal resistant 1.0 GPM concealed aerator (V10 – California CEC Title 20)
- Vandal resistant 1.5 GPM concealed aerator (V15 – EPA WaterSense)
- Vandal resistant 1.5 GPM concealed laminar flow device (VL15 – Healthcare/Medical)

SELECT LakeCrest® MODELS ARE AVAILABLE IN THESE FINISHES TO OPTIMIZE YOUR DESIGN:



Polished Chrome



**Brushed Nickel
(-BN)**



**Matte Black
(-MB)**



LAKECREST™
BY T&S



BP-0723

- Single hole, single temperature deck-mount faucet with polished chrome finish
- Vandal resistant 0.5 GPM hidden non-aerated spray device (B-0199-M21-V05)
- Metering cartridge adjustable from 10 to 30 seconds
- Push button cap
- 1/2" NPSM male inlet
- 24" flexible stainless steel supply hose with 3/8" Eterna connection inlet

BP-0723-4DP

- Same as BP-0723 but with 6" deck plate designed to be used with 4" hole centers



BP-2704

- Deck mount single lever faucet with polished chrome finish
- Vandal resistant 0.5 GPM non-aerated spray device (B-0199-M21-V05)
- Quarter-turn Cerama cartridge with check valves
- 19" flexible stainless steel supply hose with 3/8" O.D. Eterna connection
- Can be paired with T&S universal chrome plated deckplate

BP-2704-BN

- Same as BP-2704 but with brushed nickel finish

BP-2704-MB

- Same as BP-2704 but with matte black finish



BP-2712

- 4" centerset deck mount single lever faucet with polished chrome finish
- Vandal resistant 0.5 GPM non-aerated spray device (B-0199-M21-V05)
- Quarter-turn Cerama cartridges with check valves
- 19" flexible stainless steel supply hose with 3/8" O.D. Eterna connection

BP-2712-BN

- Same as BP-2712 but with brushed nickel finish

BP-2712-MB

- Same as BP-2712 but with matte black finish



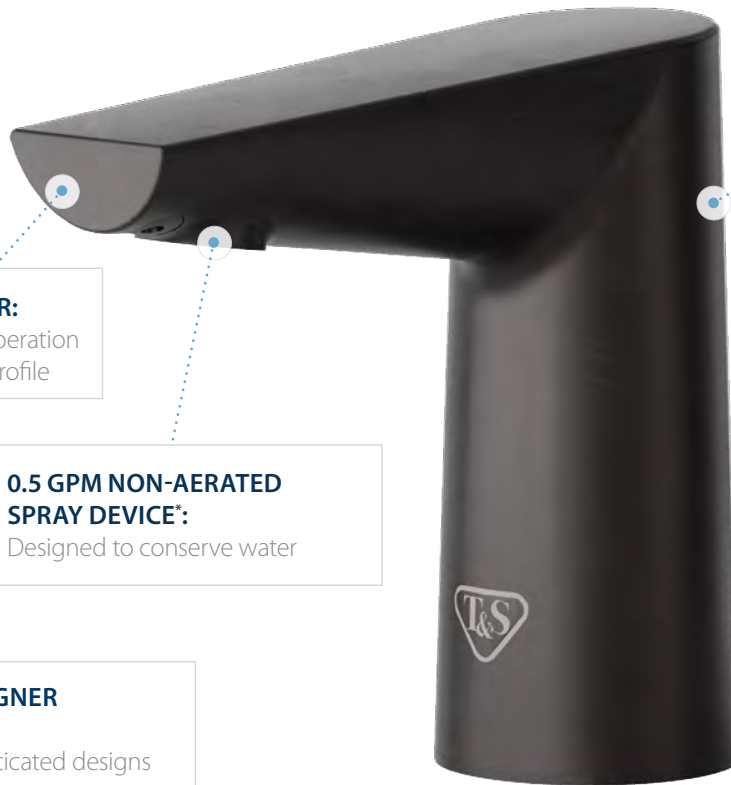
BP-2995

- 8" EasyInstall concealed widespread faucet with polished chrome finish
- Vandal resistant 0.5 GPM hidden non-aerated spray device (B-0199-M21-V05)
- Quarter-turn Cerama cartridges with check valves
- Lever handles with color coded indexes
- 1/2" NPSM male inlet
- 24" flexible stainless steel supply hose with 3/8" O.D. Eterna connection

Hands-free designer sensor faucets

WAVECREST®

BY T&S



STANDARD OR MEDICAL HEIGHT :

Fits a wide range of applications

HIDDEN SENSOR:

Allows efficient operation and streamlines profile

0.5 GPM NON-AERATED SPRAY DEVICE:

Designed to conserve water

BELOW-DECK ELECTRONICS:

Protects parts and create a streamlined aesthetic

PERFECT FOR DESIGNER APPLICATIONS:

Complements sophisticated designs

MATCHING SOAP DISPENSERS:

Some models are available with matching soap dispensers

EVERY WaveCrest® MODEL IS AVAILABLE WITH A HYDROGENETRATOR POWER SOURCE (-HG) & THERMOSTATIC MIXING VALVE (-TMV)

SELECT WaveCrest® MODELS ARE AVAILABLE IN THESE FINISHES TO OPTIMIZE YOUR DESIGN:



Polished Chrome



Brushed Nickel
(-BN)



Matte Black
(-MB)



Brushed Brass
(-BB)

Stafford & Holden
Collections



Polished Graphite
(-PG)

Stafford & Holden
Collections



WAVECREST®

BY T&S

Most models come standard with the vandal resistant 0.5 GPM concealed non-aerated spray device (V05).

Optional outlet devices available upon request:

- Vandal resistant 0.35 GPM concealed non-aerated spray device (V035 - CALGreen)
- Vandal resistant 1.0 GPM concealed aerator (V10 – California CEC Title 20)
- Vandal resistant 1.5 GPM concealed aerator (V15 – EPA WaterSense)
- Vandal resistant 1.5 GPM concealed laminar flow device (VL15 – Healthcare/Medical)

Additional standard WaveCrest® features include:

- AC/DC control module with internal flow control setting switches
- Temperature control mixing valve with integral check valves
 - Hydrogenerator models available



ECW-3150 | Tybee Collection

- Single hole deck mount electronic faucet with gooseneck spout with polished chrome finish
- (2) 18" 3/8" Eterna x 1/2" NPSM flexible stainless steel supply hoses

ECW-3150-BN

- Same as ECW-3150 but with brushed nickel finish

ECW-3150-MB

- Same as ECW-3150 but with matte black finish



ECW-3158 | Sanibel Collection

- Single hole deck mount electronic faucet with compact cast spout with polished chrome finish
- (2) 18" 3/8" Eterna x 1/2" NPSM flexible stainless steel supply hoses

ECW-3158-BN

- Same as ECW-3158 but with brushed nickel finish

ECW-3158-MB

- Same as ECW-3158 but with matte black finish



ECW-3172 | Litchfield Collection

- Single hole 4" deck mount electronic faucet with cast spout with polished chrome finish
- (2) 18" 3/8" Eterna x 1/2" NPSM flexible stainless steel supply hoses

ECW-3172-BN

- Same as ECW-3172 but with brushed nickel finish

ECW-3172-MB

- Same as ECW-3172 but with matte black finish



ECW-3152 | Seabrook Collection

- Single hole deck mount electronic faucet with cast spout and polished chrome finish
- (2) 18" 3/8" Eterna x 1/2" NPSM flexible stainless steel supply hoses
- Matching soap dispensers available

ECW-3152-BN

- Same as ECW-3152 but with brushed nickel finish

ECW-3152-MB

- Same as ECW-3152 but with matte black finish

Most models come standard with the vandal resistant 0.5 GPM concealed non-aerated spray device (V05).

Optional outlet devices available upon request:

- Vandal resistant 0.35 GPM concealed non-aerated spray device (V035 - CALGreen)
- Vandal resistant 1.0 GPM concealed aerator (V10 – California CEC Title 20)
- Vandal resistant 1.5 GPM concealed aerator (V15 – EPA WaterSense)
- Vandal resistant 1.5 GPM concealed laminar flow device (VL15 – Healthcare/Medical)

Additional standard WaveCrest® features include:

- AC/DC control module with internal flow control setting switches
 - Temperature control mixing valve with integral check valves
 - Hydrogenerator models available



ECW-3153 | Seabrook Collection

- Single hole 4" deck mount electronic faucet with cast spout and polished chrome finish
- (2) 18" 3/8" Eterna x 1/2" NPSM flexible stainless steel supply hoses
- Matching soap dispensers available

ECW-3153-BN

- Same as ECW-3153 but with brushed nickel finish

ECW-3153-MB

- Same as ECW-3153 but with matte black finish



ECW-3162 | Seabrook Collection

- Single hole deck mount electronic faucet with cast spout with polished chrome finish
- 6-5/16" (161 mm) overall height
- (2) 18" 3/8" Eterna x 1/2" NPSM flexible stainless steel supply hoses
- Matching soap dispensers available

ECW-3162-BN

- Same as ECW-3162 but with brushed nickel finish

ECW-3162-MB

- Same as ECW-3162 but with matte black finish



ECW-3163 | Seabrook Collection

- Single hole 4" deck mount electronic faucet with cast spout with polished chrome finish
- 6-5/16" (161 mm) overall height
- (2) 18" 3/8" Eterna x 1/2" NPSM flexible stainless steel supply hoses
- Hydrogenerator model available
- Matching soap dispensers available

ECW-3163-BN

- Same as ECW-3163 but with brushed nickel finish

ECW-3163-MB

- Same as ECW-3163 but with matte black finish



ECW-3156 | Holden Collection

- Single hole deck mount electronic faucet with cast spout with polished chrome finish
- (2) 18" 3/8" Eterna x 1/2" NPSM flexible stainless steel supply hoses

ECW-3156-BN

- Same as ECW-3156 but with brushed nickel finish

ECW-3156-MB

- Same as ECW-3156 but with matte black finish

ECW-3156-BB

- Same as ECW-3156 but with brushed brass finish

ECW-3156-PG

- Same as ECW-3156 but with polished graphite finish



ECW-3159 | Stafford Collection

- Single hole deck mount electronic faucet with cast spout with polished chrome finish
- (2) 18" 3/8" Eterna x 1/2" NPSM flexible stainless steel supply hoses

ECW-3159-BN

- Same as ECW-3159 but with brushed nickel finish

ECW-3159-MB

- Same as ECW-3159 but with matte black finish

ECW-3159-BB

- Same as ECW-3159 but with brushed brass finish

ECW-3159-PG

- Same as ECW-3159 but with polished graphite finish

NOTES...

Hands-free soap dispensers

WAVECREST®

BY T&S



LED INDICATOR LIGHT :

Indicates activation, stand-by, low soap level and more for simplified operation and maintenance

TOP FILL FUNCTION:

Lockable rotating lid for easy and hassle-free filling

HIDDEN SENSOR:

Allows touchless, sensor-activated dispensing

SIMPLE, SMART MAINTENANCE:

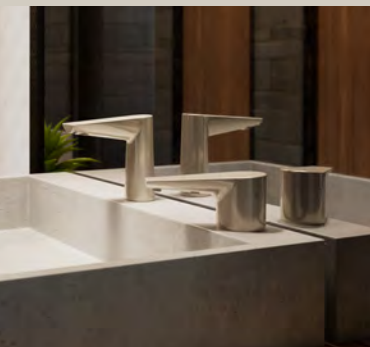
Featuring a 34 oz. bottle and low soap level sensor

CHOOSE YOUR SOAP :

Compatible with commercially available all-purpose foam soap for FS-specified models or liquid soap for LS-specified models

PORTION CONTROL KNOB:

Controls foam soap consistency FS-specified models and volume of soap dispensed for LS-specified models.



**BACKED BY A
THREE-YEAR WARRANTY**



**AVAILABLE IN CLASSIC
CHROME, SOPHISTICATED
BRUSHED NICKEL & SLEEK
MATTE BLACK**



DESIGNED TO COMPLEMENT
the WaveCrest™
Seabrook Collection



**COMMERCIAL-DUTY
CONSTRUCTION**
Long-lasting durability

introducing
Hands-free designer sensor soap dispensers



ECW-3152-FS | Seabrook Collection

- Electronic foam soap dispenser
- Polished chrome spout
- Top fill funnel beneath rotating lid with latching mechanism
- Uses commercially available foam hand soap
- 100-240 VAC adapter
- 34oz (1L) capacity
- Three year limited warranty

ECW-3152-LS

- Same as ECW-3152-FS but for liquid hand soap



EVERSTEEL®

EASY TO CLEAN

Stainless steel resists staining and water spots

**NEW SINGLE LEVER DESIGN
AVAILABLE IN:
STANDARD PRE-RINSE UNITS
LOW PROFILE UNITS**



PROVEN T&S DESIGN

EverSteel uses time-tested T&S designs to provide long-lasting reliability

LEAD-FREE

Stainless-steel construction is completely lead-free for worry-free performance

S-0107-Y SPRAY VALVE

This design boasts more cleaning power and the highest durability on the market. The lack of a center screw prevents overtightening and there are fewer replaceable parts.

BRUSHED SATIN FINISH

ADD-ON FAUCETS

Models available with and without

GLOBAL CERTIFICATIONS

Designed to meet all global certification requirements.

TRUE STAINLESS STEEL

Heavy-duty construction with stainless steel provides commercial-duty durability

QUARTER-TURN CARTRIDGES

With built-in cross-flow prevention



EVERSTEEL®



S-0113-BY

- Single hole deck mount mixing faucet with stainless steel body
- 44" flexible stainless steel hose with heat resistant blue handle and hold down ring
- 1.15 GPM new style spray valve (S-0107-Y)
- (2) 18" flexible supply hoses with G1/2" female swivel connections (compatible with 1/2" NPSM threads)
- Stainless steel 6" adjustable wall bracket
- Quarter-turn Eterna cartridges with spring checks

S-0113-CR-BY

- Same as S-0113-BY but with Cerama cartridges



S-0133-A12-BY

- 8" wall mount mixing faucet with stainless steel body
- 44" flexible stainless steel hose with heat resistant blue handle and hold down ring
- 1.15 GPM new style spray valve (S-0107-Y)
- Add-on faucet with 12" swing nozzle with stream regulator outlet
- Stainless steel 6" adjustable wall bracket
- Quarter-turn Eterna cartridges with spring checks
- **Installation Kit Available: S-0230-KIT**

S-0133-A12-CR-BY

- Same as S-0133-A12-BY but with Cerama cartridges
- **Installation Kit Available: S-0230-KIT**



SMPF-2DLN-06

- Single hole deck mount mixing faucet with stainless steel body
- 24" flexible stainless steel hose with heat resistant blue handle and hold down ring
- 1.15 GPM new style spray valve (S-0107-Y)
- (2) 18" flexible stainless steel supply hoses with G1/2" female swivel connections (Compatible with 1/2" NPSM Threads)
- Stainless steel 6" adjustable wall bracket
- Add-on faucet with 6" swing nozzle with stream regulator outlet
- Quarter-turn Eterna cartridges with spring checks

SMPF-2DLN-06-CR

- Same as SMPF-2DLN-06 but with Cerama cartridge



S-0231

- 8" wall mount mixing faucet with stainless steel body
- 12" swing nozzle with stream regulator outlet
- 1/2" NPT female eccentric inlets with 2" flanges
- Quarter-turn Eterna cartridges with spring checks
- **Installation Kit Available: S-0230-KIT**

S-0231-CR

- Same as S-0231 but with Cerama cartridges
- **Installation Kit Available: S-0230-KIT**



S-0300

- Single hole deck mount mixing faucet with stainless steel body
- 5 3/4" stainless steel swivel gooseneck
- (2) 18" flexible stainless steel supply hoses with G1/2" female swivel connections (Compatible with 1/2" NPSM Threads)
- Lock washer provided for rigid application
- Quarter-turn Eterna cartridges with spring checks

S-0300

- Same as S-0300 but with Cerama cartridges



S-1110

- 4" deck mount mixing faucet with stainless steel body
- 6" stainless steel swing nozzle
- 1/2" NPT stainless steel male inlets
- 2.2 GPM stainless steel aerator
- Quarter-turn Eterna cartridges with spring checks
- **Installation Kit Available: S-1100-KIT**

S-1110-CR

- Same as S-1110 but with Cerama cartridges
- **Installation Kit Available: S-1100-KIT**



S-1141-04

- 4" deck mount mixing faucet with stainless steel body
- 5 3/4" stainless steel swivel gooseneck
- 1/2" NPT stainless steel male inlets
- 2.2 GPM stainless steel aerator
- Quarter-turn Eterna cartridges with spring checks
- **Installation Kit Available: S-1100-KIT**

S-1141-04-CR

- Same as S-1141-04 but with Cerama cartridges
- **Installation Kit Available: S-1100-KIT**



S-1142-04

- 8" deck mount mixing faucet with stainless steel body
- 5 3/4" stainless steel swivel gooseneck
- 1/2" NPT stainless steel male inlets
- 2.2 GPM stainless steel aerator
- Quarter-turn Eterna cartridges with spring checks
- **Installation Kit Available: S-1100-KIT**

S-1142-04-CR

- Same as S-1142-04 but with Cerama cartridges
- **Installation Kit Available: S-1100-KIT**



S-0113-U12-B

- Single hole deck mount mixing faucet with stainless steel body
- 44" flexible stainless steel hose with heat resistant blue handle and hold down ring
- 1.15 GPM new style spray valve (S-0107-Y)
- (2) 18" flexible stainless steel supply hoses with G1/2" female swivel connections
- Add-on 12" swing nozzle with stream regulator outlet
- Includes 10" ULTRARINSE® multi tip spray arm
- Quarter-turn Eterna cartridges with spring checks

S-0113-U12-CR-B

- Same as S-0113-U12-B but with Cerama cartridges



S-0133-U12-B

- 8" wall mount mixing faucet with stainless steel body
- 44" flexible stainless steel hose with heat resistant blue handle and hold down ring
- 1.15 GPM new style spray valve (S-0107-Y)
- Add-on faucet 12" nozzle
- Includes 10" ULTRARINSE® multi tip spray arm
- Quarter-turn Eterna cartridges with spring checks

S-0133-U12-CR-B

- Same as S-0133-U12-B but with Cerama cartridges



S-0201-U12

- Single hole deck mount mixing faucet with stainless steel body
- (2) 18" flexible stainless steel supply hoses with G1/2" female swivel connections
- 12" swing nozzle with stream regulator outlet
- Includes 10" ULTRARINSE® multi tip spray arm
- Quarter-turn Eterna cartridges with spring checks

S-0201-U12-CR

- Same as S-0201-U12 but with Cerama cartridges

S-0200-U18

- Same as S-0201-U12 but with 18" swing nozzle and 16" ULTRARINSE® multi tip spray arm

S-0200-U18-CR

- Same as S-0201-U12 but with 18" swing nozzle and 16" ULTRARINSE® multi tip spray arm and Cerama cartridges



S-0231-U12

- 8" wall mount mixing faucet with stainless steel body
- 12" swing nozzle with stream regulator outlet
- Includes 10" ULTRARINSE® multi tip spray arm
- 1/2" NPT female eccentric inlets with Ø 2" flanges
- Adjustable centers from 7 3/4" to 8 1/4"
- Quarter-turn Eterna cartridges with spring checks

S-0231-U12-CR

- Same as S-0231-U12 but with Cerama cartridges

S-0230-U18

- Same as S-0231-U12 but with 18" swing nozzle and 16" ULTRARINSE® multi tip spray arm

S-0230-U18-CR

- Same as S-0231-U12 but with 18" swing nozzle and 16" ULTRARINSE® multi tip spray arm and Cerama cartridges



S-0133-12CRB8TP

- 8" wall mount mixing faucet with stainless steel body
- Pull-down activation that allows users to easily switch water flow on and off
- 1.07 GPM spray valve with ball-joint swivel allowing for 360° rotation
- 1/2" NPT female eccentric inlets with 2" flanges
- 6" adjustable wall bracket
- Add-on 12" swing nozzle with stream regulator outlet
- Quarter-turn Cerama cartridges

S-0133-CR-B8TP

- Same as S-0133-12CRB8TP but without 12" add-on faucet



S-0123-A12-BY

- 8" deck mount mixing faucet with stainless steel body
- 44" flexible stainless steel hose with heat resistant blue handle and hold down ring
- 1.15 GPM new style spray valve (S-0107-Y)
- 1/2" NPT female eccentric inlets with 2" flanges
- 6" adjustable wall bracket
- Add-on 12" swing nozzle with stream regulator outlet
- Quarter-turn Eterna cartridges with spring checks

S-0123-A12-CR-BY

- Same as S-0123-A12-BY but with Cerama cartridges



S-0131-A12-B

- 8" wall mount mixing faucet with stainless steel body
- 20" flexible stainless steel hose with heat resistant blue handle and hold down ring
- 1.15 GPM new style spray valve (S-0107)
- 1/2" NPT female eccentric inlets with 2" flanges
- 6" adjustable wall bracket
- Add-on 12" swing nozzle with stream regulator outlet
- Quarter-turn Eterna cartridges with spring checks

S-0131-A12-CR-B

- Same as S-0131-A12-B but with Cerama cartridges



S-2780-A12-BY

- Single hole deck mount single lever mixing faucet with stainless steel body
- 44" flexible stainless steel hose with heat resistant blue handle and hold down ring
- 1.15 GPM new style spray valve (S-0107-Y)
- Add-on 12" swing nozzle with stream regulator outlet
- (2) 18" flexible stainless steel supply hoses with G1/2" female swivel connections (Compatible with 1/2" NPSM Threads)
- Stainless steel 6" adjustable wall bracket
- Cerama cartridge

S-2780-A12-B

- Same as S-2780-A12-BY but with 1.15 GPM low flow spray valve (S-0107)



SMPY-2LSN-00

- Single hole deck mount single lever mixing faucet with stainless steel body
- 24" flexible stainless steel hose with heat resistant blue handle and hold down ring
- 0.65 GPM new style spray valve (S-0107-C)
- (2) 18" flexible stainless steel supply hoses with G1/2" female swivel connections (Compatible with 1/2" NPSM Threads)
- Stainless steel 6" adjustable wall bracket
- Cerama cartridge

SMPY-2LSN-06

- Same as SMPY-2LSN-00 but with 6" swing nozzle with stream regulator outlet



S-2785-S060X

- Single hole deck mount single lever mixing faucet with stainless steel body
- 8" swing nozzle with stream regulator outlet
- (2) 18" flexible stainless steel supply hoses with G1/2" female swivel connections (Compatible with 1/2" NPSM Threads)
- Cerama cartridge

S-2785-S133X

- Same as S-2785-S060X but with 5 3/4" swivel/rigid gooseneck



S-1200

- Wall mount glass filler
- Adjustable 2" flange
- Stainless steel push back arm
- Instantaneous shut-off
- Torx wrench adjustable flow outlet (wrench included)



S-1205

- Wall mount glass filler
- 3/8" NPT male inlet less wall flange
- Stainless steel push back arm
- Instantaneous shut-off
- Torx wrench adjustable flow outlet (wrench included)



S-1210

- 8" deck mount glass filler
- Pedestal with adjustable 2" flange
- Stainless steel push back arm
- Instantaneous shut-off
- Torx wrench adjustable flow outlet (wrench included)



S-1230

- 8" deck mount glass filler
- 18 gauge drip pan with drop-in grid and 1 1/4" drain
- 1/2" NPT male inlet
- Pedestal with adjustable 2" flange
- Stainless steel push back arm
- Instantaneous shut-off
- Torx wrench adjustable flow outlet (wrench included)



S-0107-Y

- 1.15 GPM spray valve
- Blue rubber integrated spray face with bumper and handle
- Hold-down ring
- 3/4-14 UN male inlet fitting



S-0107

- 1.15 GPM spray valve
- Blue rubber bumper and handle
- Hold-down ring
- 3/4-14 UN male inlet fitting



S-0107-J

- 1.07 GPM spray valve
- Blue rubber bumper and handle
- Hold-down ring
- 3/4-14 UN male inlet fitting



S-0155-LNEZ

- Add-on faucet less nozzle
- EasyInstall quick installation inlet
- Quarter-turn Eterna cartridge with spring check
- Swivel outlet accepts T&S swing nozzles
- 3/8" NPT female outlet



S-0230-K

- Elbow kit
- (2) 1/2" NPT stainless steel supply nipples with lock nuts and washers
- (2) Short stainless steel elbows with 1/2" NPT male inlet and 1/2" NPT female outlet



S-U12-KIT

- 10" 1.5 GPM multiple tip spray arm
- Switches between spray arm and swing nozzle
- For use with any stainless steel swivel T&S outlet faucet or stainless steel swing nozzle

S-U18-KIT

- Same as S-U12-KIT but with 18" 1.5 GPM multiple tip spray arm



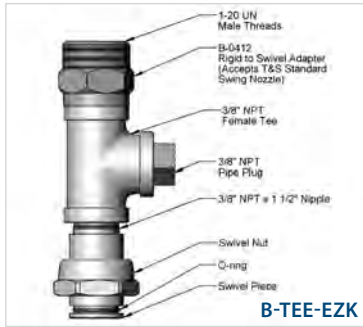
S062X

- 12" swing nozzle with stream regulator outlet
- Fits all T&S swivel outlet faucets



What to expect from legendary **T&S PRE-RINSE UNITS**

**SPECIALLY DESIGNED
SPRING REINFORCEMENT**
protects hose from wear.



OPTIONAL INSTALLATION TEE
provides additional water source.

**OPTIONAL: MULTIPLE LENGTH
WALL BRACKETS AVAILABLE**
designed with ability to be cut in
the field to desired length.

**50% THICKER NOZZLE AND RISER
THICKNESS VS. COMPETITORS**
for ultimate durability.

**MODELS WITH AND
WITHOUT ADD-ON
FAUCETS AVAILABLE.**

**1/4-TURN CARTRIDGES WITH CROSS-FLOW
PREVENTION**

1/4 turn design with two cartridge options to best suit your water conditions: Eterna Eterna (perfect for areas with harsh water conditions), or Cerama Cerama cartridges (featuring a lifetime warranty).

**STAINLESS STEEL
HOSES WITH DOUBLE
INTERLOCKED BRAIDS
AND REINFORCED
POLYURETHANE
INNER TUBING**
for long life.
Pressure rated to 125 psi.

**OPTIONAL: 360-DEGREE
ROTATION OF SPRAY VALVE
WITH ADD-ON SWIVEL**
reduces employee strain and
extends hose life.

INSULATED HANDLE
provides a cool grip.

**RANGE OF SPRAY VALVE
OPTIONS AVAILABLE**
from 0.65 GPM to 1.15 GPM for top
performance and water conservation. Meet
DOE regulations. Tested to over 1.5 million
cycles.

PREASSEMBLED PARTS
reduce installation time.

**INTERLOCKING SPLINES
PREVENT WALKING**
by keeping the handles in
the original set position.

ECCENTRIC FLANGES
allow for alignment and easy installation in the field.





B-0113-ADF12-B

- Single hole deck mount mixing faucet
- 12" add-on faucet
- 1.15 GPM spray valve (B-0107)
- 44" flexible stainless steel hose with heat resistant gray handle and hold down ring
- 6" adjustable wall bracket
- Quarter-turn Eterna cartridges with spring checks
- 18" flexible stainless steel supply hoses with 1/2" NPSM / 5/8" Eterna connections

B-0113-B

- Same as B-0113-ADF12-B but without add-on faucet
- **Master Pack Available: B-0113-BM (6)**



B-0123-ADF12-B

- 8" deck mount mixing faucet with adjustable centers
- 12" add-on faucet
- 1.15 GPM spray valve (B-0107)
- 44" flexible stainless steel hose with heat resistant gray handle and hold down ring
- 6" adjustable wall bracket
- Quarter-turn Eterna cartridges with spring checks
- 1/2" NPT female eccentric inlets with 2" flanges
- **Installation Kit Available: B-0425-KIT**

B-0123-B

- Same as B-0123-ADF12-B but without add-on faucet
- **Installation Kit Available: B-0425-KIT**
- **Master Pack Available: B-0123-BM (6)**



B-0133-ADF12-B

- 8" wall mount mixing faucet
- 12" add-on faucet
- 1.15 GPM low flow spray valve (B-0107)
- 44" flexible stainless steel hose with heat resistant gray handle and hold down ring
- Adjustable centers from 7 3/4" to 8 1/4"
- 6" adjustable wall bracket
- Quarter-turn Eterna cartridges with spring checks
- 1/2" NPT female eccentric inlets with 2" flanges
- **Installation Kit Available: B-0230-KIT**
- **Master Pack Available: B-0133-ADF12-BM (6)**

B-0133-B

- Same as B-0133-ADF12-B but without add-on faucet
- **Installation Kit Available: B-230-KIT**
- **Master Pack Available: B-0133-BM (6)**



MPZ-8WLN-06

- 8" wall mount mixing faucet
- 6" add-on faucet
- 1.15 GPM low flow spray valve (B-0107)
- Lever handles with color coded indexes
- 24" flexible stainless steel hose with heat resistant gray handle and hold down ring
- 8" rigid riser
- Adjustable centers from 7 3/4" to 8 1/4"
- Quarter-turn Eterna cartridges with check valves
- **Installation Kit Available: B-0230-KIT**



B-0100-SWV

- 1.15 GPM spray valve (B-0107)
- 1/2" NPT male inlet fitting
- 44" flexible stainless steel hose with heat resistant gray handle and hold down ring
- Includes swivel (018200-40)

B-0100

- Same as B-0100-SWV but without swivel (018200-40)



B-0107

- 1.15 GPM spray valve
- 3/4-14 UN male inlet fitting
- Designed for heavy-duty use in industrial kitchens
- Hold down ring
- Shuts off when handle is released
- **Master Pack Available: B-0107-M12 (12)**



B-0107-C

- 0.65 GPM Low Flow spray nozzle
- 3/4-14 UN male inlet
- Designed for heavy-duty use in industrial kitchens
- High performance fan jet with knife action spray
- Hold down ring
- Shuts off when handle is released
- **Master Pack Available: B-0107-CM (12)**



B-0107-J

- 1.07 GPM spray nozzle
- 3/4-14 UN male inlet
- Designed for heavy-duty use in industrial kitchens
- High performance fan jet with knife action spray
- Hold down ring
- Shuts off when handle is released
- **Master Pack Available: B-0107-JM (12)**



B-0108

- 1.07 GPM JeTSpray spray valve
- 7/8-20 UN male inlet
- Designed for heavy-duty use in industrial kitchens
- Fast action trigger
- Heat insulated handle with crush resistant grip
- Removable screen filter
- Smart one-handed trigger lock
- **Master Pack Available: B-0108-M (12)**



B-0044-H

- 3/4-14 UN female inlet
- 3/4-14 UN female outlet
- 44" flexible stainless steel hose with heat resistant gray handle
- **Master Pack Available: B-0044-HML (25)**



B-TEE-RGD

- 3/8" NPT female outlet
- 3/8" NPT male inlet
- 3/8" hex L-key included
- 3/8" pipe plug



B-TEE-EZK

- 1-20 UN male threaded outlet
- Swivel tee assembly
- 3/8" pipe plug



B-0230-K

- Installation elbow kit
- (2) 1/2" NPT supply nipples with lock nuts and washers
- (2) Short elbows with 1/2" NPT male inlet and 1/2" NPT female outlet
- **Master Pack Available: B-0230-K-M12 (12)**



B-0230-KIT

- Installation inlet kit
- (2) 1/2" NPT supply nipples with lock nuts and washers
- (2) 24" flexible stainless steel supply hoses with 3/8" Eterna inlet and 1/2" NPSM outlet
- (2) Short elbows with 1/2" NPT male inlet and 1/2" NPT female outlet
- **Master Pack Available: B-0230-KIT-M12 (12)**



018200-40

- Pre-rinse hose and spray valve hex swivel
- 7/8-20 UN female outlet
- 7/8-20 UN male inlet
- Fits all T&S spray valve handles
- Replacement seals included



B-0156

- Add-on faucet with 12" swing nozzle
- 3" Nipple with 3/8" NPT male inlet
- 3/8" NPT female outlet
- Lever handle
- Quarter-turn Eterna cartridge with spring check



B-0155-LNEZ

- 3/8" NPT female outlet
- Add-on faucet with polished chrome plated brass body (less nozzle)
- EasyInstall quick installation inlet
- Lever handle
- Quarter-turn Eterna cartridge with spring check
- Swivel outlet accepts T&S swing nozzles



011276-45

- Cerama cartridge
- RTC without bonnet
- Fits all T&S faucets

011277-45

- Same as 011276-45 but LTC

T&S BRASS PLUMBING PRODUCTS SPRAY ASSEMBLIES



B-0175

- 8" wall mount mixing faucet
- 12" EasyInstall add-on faucet
- 1.15 GPM low flow angled spray valve (B-0107-035)
- Lever handles with color coded indexes
- 104" flexible stainless steel hose with heat resistant gray handle and hold down ring
- Adjustable centers from 7 3/4" to 8 1/4"
- Hose hanger hook
- 90° swivel adapter arm
- Quarter-turn Eterna cartridges with spring checks
- **Installation Kit Available: B-0230-KIT**



B-0178

- 8" deck mount mixing faucet
- 12" EasyInstall add-on faucet
- 1.15 GPM low flow angled spray valve (B-0107)
- Lever handles with color coded indexes
- 20" flexible stainless steel hose with heat resistant gray handle and hold down ring
- Adjustable centers from 7 3/4" to 8 1/4"
- Hose hanger hook
- 90° swivel adapter arm
- Quarter-turn Eterna cartridges with spring checks
- **Installation Kit Available: B-0425-KIT**



B-0102-A

- 1/2" NPT male inlet
- 68" flexible stainless steel hose with heat resistant gray handle and hold down ring
- Automatic shut-off valve
- Hook nozzle



B-0580

- Wall mount pot filler
- 18" double joint swing nozzle
- 1/2" NPT female inlet with 2" wall flange
- On-off volume control outlet with insulated grip



B-0592

- Wall mount pot filler
- 18" double joint swing nozzle
- 1/2" NPT female inlet with 2" wall flange
- Four arm handle with blue index
- On-off volume control outlet with insulated grip
- Quarter-turn Eterna cartridge with spring checks



BF-0592

- Single hole wall mount Big-Flo faucet
- 18" double joint swing nozzle
- 3/4" NPT street elbow
- Four arm handle with blue index
- On-off volume control outlet with insulated grip
- Big-Flo cartridge



Pot Fillers offer a combination of practicality, efficiency and safety.



B-0207

- Single hole, single temperature deck mount faucet
- 6" swing nozzle
- 1/2" NPSM female inlet
- Quarter-turn Eterna cartridges with spring checks
- **Master Pack Available: B-0207-M (6)**



B-0221

- 8" deck mount mixing faucet
- 12" swing nozzle
- 1/2" NPT female eccentric inlets with 2" flanges
- Quarter-turn Eterna cartridges with spring checks
- **Installation Kit Available: B-0425-KIT**
- **Master Pack Available: B-0221-M (6)**



B-0230-LN

- 8" wall mount mixing faucet
- Swivel outlet less nozzle
- Quarter-turn Eterna cartridges with spring checks
- **Installation Kit Available: B-0230-KIT**
- **Master Pack Available: B-0230-LNM (6)**

B-0230-CR-LN

- Same as B-0230-LN but with Cerama cartridges with check valves
- **Installation Kit Available: B-230-KIT**
- **Master Pack Available: B-0230-CR-LNM (6)**



B-0231

- 8" wall mount mixing faucet
- 12" swing nozzle
- 1/2" NPT female eccentric inlets with 2" flanges
- Quarter-turn Eterna cartridges with spring checks
- **Installation Kit Available: B-0230-KIT**
- **Master Pack Available: B-0231-M (6)**

B-0231-CR

- Same as B-0231 but with Cerama cartridges with check valves
- **Installation Kit Available: B-230-KIT**
- **Master Pack Available: B-0231-CR-M (6)**



B-0290

- 8" wall mount Big-Flo mixing faucet
- 12" Big-Flo plain end swing nozzle
- 3/4" NPT female eccentric flanged inlets with 2" flanges
- 3/4" NPT female short inlet elbows
- Big-Flo Eterna spindles
- **Master Pack Available: B-0290-M (6)**



062X

- 12" swing nozzle
- Fits all T&S swivel outlet faucets
- **Master Pack Available: 062XM (12)**

061X

- Same as 062X but 10" swing nozzle
- **Master Pack Available: 061XM (12)**

060X

- Same as 062X but 8" swing nozzle
- **Master Pack Available: 060XM (12)**



B-0300

- Single hole deck mount faucet
- 5 3/4" swivel/rigid gooseneck
- 18" flexible stainless steel supply hoses with 1/2" NPSM male inlet / 5/8" O.D. Eterna connections
- Quarter-turn Eterna cartridges with spring checks
- **Master Pack Available: B-0300-M (6)**



B-0305

- Single hole single temperature deck mount faucet
- 5 3/4" swivel/rigid gooseneck
- 1/2" NPSM male inlet
- Quarter-turn Eterna cartridges with spring checks
- Tailpiece and nut to provide 1/4" NPT male connection
- **Master Pack Available: B-0305-M (6)**

Workboard and Bar Sink Faucets

Built for durability, easy cleaning and high-traffic service environments.

Find out more on page 25





B-0665-BSTR

- 8" wall-mount mixing faucet
- Rough chrome plated finish
- Quarter-turn Eterna cartridges with spring checks
- Built-in service stops
- Vacuum breaker spout with 3/4" garden hose male thread and pail hook
- Upper wall support with mounting screws
- 1/2" NPT female eccentric flanged inlets (00AA)
- **Installation Kit Available: B-0230-KIT**
- **Master Pack Available: B-0665-BSTRM (6)**

B-0665-CR-BSTR

- Same as B-0665-BSTR but with Cerama cartridges with check valves
- **Installation Kit Available: B-0230-KIT**

B-0665-BSTP

- Same as B-0665-BSTR but with polished chrome finish
- **Installation Kit Available: B-0230-KIT**
- **Master Pack Available: B-0665-BSTPM (6)**



B-1110

- 4" deck mount mixing faucet
- 2.2 GPM aerator (B-0199-01)
- 6" swing nozzle
- Quarter-turn Eterna cartridges with spring checks
- 1/2" NPT inlets
- Tailpieces and nuts for 1/4" NPT male connections
- **Installation Kit Available: B-1100-KIT**
- **Master Pack Available: B-1110-M (6)**

B-1110-CR

- Same as B-1110 but with Cerama cartridges with check valves
- **Installation Kit Available: B-1100-KIT**



B-1115

- 4" wall mount mixing faucet
- 2.2 GPM aerator (B-0199-01)
- 6" swing nozzle
- Quarter-turn Eterna cartridges with check valves
- 1/2" NPT inlets
- **Installation Kit Available: B-1105-KIT**
- **Master Pack Available: B-1115-M (6)**

B-1115-CR

- Same as B-1115 but with Cerama cartridges with check valves
- **Installation Kit Available: B-1105-KIT**
- **Master Pack Available: B-1115-CR-M (6)**



B-1123

- 8" deck mount mixing faucet
- 2.2 GPM aerator (B-0199-01)
- 12" swing nozzle
- Quarter-turn Eterna cartridges with spring checks
- 1/2" NPT inlets
- Tailpieces and nuts for 1/4" NPT male connections
- **Installation Kit Available: B-1100-KIT**
- **Master Pack Available: B-1123-M (6)**

B-1123-CR

- Same as B-1123 but with Cerama cartridges with check valves
- **Installation Kit Available: B-1100-KIT**



B-1141

- 4" deck mount mixing faucet
- 2.2 GPM aerator (B-0199-01)
- 5 3/4" swivel gooseneck
- Quarter-turn Eterna cartridges with spring checks
- 1/2" NPT inlets
- Tailpieces and nuts for 1/4" NPT male connections
- **Installation Kit Available: B-1100-KIT**

B-1141-CR

- Same as B-1141 but with Cerama cartridges with check valves
- **Installation Kit Available: B-1100-KIT**



B-1146-02A

- 4" wall mount mixing faucet
- 2.2 GPM aerator (B-0199-01)
- 4 3/8" swivel gooseneck
- Quarter-turn Eterna cartridges with spring checks
- 1/2" NPT inlets
- Tailpieces and nuts for 1/4" NPT male connections
- **Installation Kit Available: B-1105-KIT**

B-1146-02A-CR

- Same as B-1146-02A but with Cerama cartridges with check valves
- **Installation Kit Available: B-1105-KIT**

T&S Hand Sinks
 Packages include premium commercial-grade faucets engineered for high-traffic areas.
Find out more on page 31



B-1200

- Wall mount glass filler
- 3/8" NPT female inlet with adjustable 2" flange
- Dark blue push back arm
- Instantaneous shut-off
- Torx wrench adjustable flow outlet (wrench included)
- **Master Pack Available: B-1200-M (12)**



B-1210

- 1/2" NPT male inlet
- 8" high deck mount glass filler
- Dark blue push back arm
- Instantaneous shut-off
- Pedestal with adjustable 2" flange
- Torx wrench adjustable flow outlet (wrench included)
- Best used with disposables and stemwear
- **Master Pack Available: B-1210-M (6)**



B-1230

- 8" high deck mount glass filler and deck mount water station
- 1/2" NPT male inlet
- Dark blue push back arm
- Instantaneous shut-off
- Pedestal with adjustable 2" flange
- Torx wrench adjustable flow outlet (wrench included)
- Drip pan with drop-in grid
- 1 1/4" drain



EC-1210-08

- ChekPoint 8" high single hole deck mount electronic sensor glass filler
- 1.5 GPM vandal resistant laminar device with anti-microbial coating
- 18" flexible stainless steel supply hose with 3/8" Eterna connection
- 5 3/8" high arc rigid nozzle
- Low battery LED indicator light
- Optional auto flush feature flows water for 30 seconds after every 12 inactive hours
- AC/DC control module (electric plug-in and battery)



B-2282-01

- Deck mount dipperwell faucet and bowl assembly
- 1/2" NPSM male inlet with 5/16" I.D. sweat fitting connection
- Polished chrome plated knob
- Available without bowl and variable flow rates
- **Repair Kit Available: B-2282-RK**
- **Master Pack Available: B-2282-01-M10 (10)**

B-2282

- Same as B-2282-01 but without bowl assembly



B-3950

- Rotary waste valve for 3 1/2" sink opening
- 2" NPT female x 1 1/2" NPT male adapter
- 2" NPT male outlet / 1 1/2" NPT female outlet
- 3 1/2" snap-in removable strainer
- Overflow outlet with cap & sealing washer
- Twist handle with heat resistant plastic grip
- **Master Pack Available: B-3950-M (13)**



B-3970

- Lever waste valve for 3 1/2" sink opening
- 2" NPT female x 1 1/2" NPT male adapter
- 2" NPT male outlet / 1 1/2" NPT female outlet
- 3 1/2" snap-in removable strainer
- Overflow outlet with cap & sealing washer
- Twist handle with heat resistant plastic grip
- **Master Pack Available: B-3970-M (13)**



B-3990

- Modular push-pull waste valve for 3 1/2" sink opening with stainless steel body
- Adapter converts 2" NPT male to 1-1/2" NPT male
- 3 1/2" snap-in removable strainer
- Overflow outlet with cap & sealing washer
- Push-pull handle with handle guard to endure extreme abuse
- Handle extension kits available



EW-7360B

- Wall mount stainless steel eye and face wash
- 1/2" NPT inlet
- 1 1/4" NPT waste outlet
- Integral flip top dust cover
- Plastic eye wash head with laminar flow device



EW-7656WC

- Stainless steel recessed wall mounted eye and face wash
- 1/2" NPT inlet
- 2" NPT waste outlet
- 4.2 GPM flow control
- Polished chrome plated brass pull-down valve with strainer



Family Run, Proudly Canadian

Tapmaster® — the smarter, simpler way to transform any T&S faucet into a truly touchless solution. Designed for environments where hygiene and efficiency are critical, Tapmaster mechanical activators brings reliable hands-free activation to Medical, Dental, Animal Care, and Food Service facilities without any modification to existing faucet hardware.

COMPATIBLE WITH T&S FAUCETS:



TM-1750
Toe Kick Plate Activator

Installed on the toe kick and are activated by pressing the face inward.

- Made from solid stainless steel and aluminum.
- Designed to meet medical, military and commercial use standards.



TM-1775
Euro Foot Activator

Installed on the toe kick and are activated by moving the probe in any direction.

- Probes made of soft and flexible rubber compound.
- Main body is constructed of solid brushed nickel plated brass.



TM-1780
In-Floor Activator Disc

Installed directly into the floor by drilling a hole for the activator tubing to run through or use with one of our surface mount kits.

- Commercial hands-free faucet system
- Maintenance free and provides a perfect seal against the floor to prevent dirt buildup.



B-0520
Rigid/Swivel Gooseneck, Deck Mount, 133X Gooseneck, B-PT Full-Flow Outlet



B-0525
Swivel Gooseneck, Wall Mount, Stream Regulator, 5 1/16" Spread, 10 1/2" Height



B-1141
Workboard Faucet, Deck Mount, 4" Centers, 133X Swivel Gooseneck, Lever Handles



B-0305
Single Pantry Faucet, Deck Mount, Swivel/Rigid Gooseneck, Stream Regulator



EURO FOOT ACTIVATORS

Tapmaster® foot activators are installed on the toe kick and are activated by tapping the probe in any direction. To leave the water running or use your faucet like normal – press the probe directly left or right until you feel a click! When you want to turn the water off, just snap the probe back to the center position with your foot. It's easier than it sounds!

Tapmaster® probes are made of a soft and flexible rubber compound that is easy on the feet and extremely durable. The main body of the activator is constructed of solid brushed nickel plated brass..



KICK PEDAL ACTIVATORS

Tapmaster® kick pedal foot activators are installed on the toe kick and are activated by pressing the face inward. To leave the water running or use your faucet like normal – step down on the top angled portion of the kick pedal. When you want to turn the water off, just tap the front of the kick pedal your foot to release it.

Tapmaster® kick pedals are made from solid stainless steel and aluminum. They are designed to meet medical, military and commercial use standards for durability and low maintenance.



IN-FLOOR ACTIVATORS

Tapmaster® in-floor activators are installed directly into the floor by drilling a hole for the activator tubing to run through or with one of our surface mount kits. The in-floor activation plate is electropolished stainless steel with a solid stainless-steel base. When we designed the in-floor activator we had hospitals, food processing facilities and commercial washrooms in mind. When installed, the in-floor activator can withstand 7500lbs of force without damage and is intended to be cleaned with commercial floor polishing equipment.

When paired with a basic spout, the Tapmaster® in-floor activator is the perfect commercial hands-free faucet system. It is vandal resistant, requires no ongoing maintenance and provides a perfect seal against the floor to prevent dirt buildup.



Engineered for reliability: HAND WASH SINK PACKAGES

HAND SINK MODELS ARE NOW AVAILABLE WITH A HYDROGENERATOR POWER SOURCE (-HG)



AVAILABLE WITH 4" CENTER
MANUAL OR SINGLE HOLE
SENSOR-OPERATED FAUCETS

14" X 10" SINK BASIN
17" X 15" FULL SINK DIMENSIONS

CHOOSE FROM BACKSPLASH
ONLY OR BACKSPLASH WITH SIDE
SPLASH SHIELDS



HYDRO-GENERATOR SENSOR
FAUCET MODEL AVAILABLE

NSF CERTIFIED

INCLUDES WASTE DRAIN

20-GAUGE STAINLESS
STEEL CONSTRUCTION



HAND SINKS

HAND SINK MODELS ARE NOW AVAILABLE WITH A HYDROGENETRATOR POWER SOURCE (-HG)



EC-3101-1W-S

- 17" x 15" Hand Wash Sink with Side Splash Shields & 3-1/2" Drain Assembly
- Single hole sensor faucet with 4 1/16" rigid gooseneck with 2.2 GPM vandal resistant aerator (B-0199-06)
- Faucet includes two flexible stainless steel supply hoses with 3/8" Eterna connections



EC-3101-1W

- 17" x 15" Hand Wash Sink with 3-1/2" Drain Assembly
- Single hole sensor faucet with 4 1/16" rigid gooseneck with 2.2 GPM vandal resistant aerator (B-0199-06)
- Faucet includes two flexible stainless steel supply hoses with 3/8" Eterna connections



B-1146-02A-4W-S

- 17" x 15" Hand Wash Sink with Side Splash Shields & 3-1/2" Drain Assembly
- Manual faucet with 4 3/8" gooseneck with 2.2 GPM aerator (B-0199-01)
- Tailpieces and nuts for 1/4" NPT male connections
- Quarter-turn Eterna cartridge with spring checks



B-1146-02A-4W

- 17" x 15" Hand Wash Sink with 3-1/2" Drain Assembly
- Manual faucet with 4 3/8" gooseneck with 2.2 GPM aerator (B-0199-01)
- Tailpieces and nuts for 1/4" NPT male connections
- Quarter-turn Eterna cartridge with spring checks



5F-4WLX03-4W-S

- 17" x 15" Hand Wash Sink with Side Splash Shields & 3-1/2" Drain Assembly
- equip manual faucet with 3" swivel gooseneck with 2.2 GPM aerator (013838-45)
- 1/2" NPT male inlets
- Quarter-turn Cerama cartridges



5F-4WLX03-4W

- 17" x 15" Hand Wash Sink with 3-1/2" Drain Assembly
- equip manual faucet with 3" swivel gooseneck with 2.2 GPM aerator (013838-45)
- 1/2" NPT male inlets
- Quarter-turn Cerama cartridges

Explore the sturdy, reliable T&S HOSE REEL SYSTEMS

HOSE LENGTH AND DIAMETER CHOICES:

3/8" or 1/2" hose with lengths ranging from 15' to 50'

ANTI-LOCKOUT RATCHET DESIGN:

Hose retracts freely even when fully extended

DURABLE HOSE:

Nitrile tube with reinforced steel wire braid is more durable than typical rubber and prevents kinking

HOSE SWIVEL:

Allows 360-degree rotation of outlet device to prevent strain on hose and user

CHOICE OF CARTRIDGE:

Cerama Cerama cartridge or Eterna Eterna cartridge

VARIETY OF BASE SYSTEMS:

Wall mount, deck mount, concealed base and cabinet bases available

PROTECTED HOSE OUTLET:

Allows free movement and extends the life of the hose

ADJUSTABLE STOP:

Prevents hose from retracting completely into reel and allows users to set length of accessible hose for easy reach

MOUNTING BRACKET OPTIONS:

Wall mount swing brackets, pivot brackets for ceiling or tabletop, or table leg bracket

STAINLESS STEEL OR EPOXY-COATED REEL

OPEN OR CLOSED REEL OPTIONS:

Open reels allow easy cleaning of the hose. Closed reels keep the hose out of sight.

7 OUTLET DEVICE OPTIONS:

Spray valves, front or rear trigger water guns, or extended spray wand

BRASS SWIVEL ON STAINLESS STEEL SHAFT:

Eliminates friction that can lead to welding and splitting



T&S' SMART MODEL NUMBER SYSTEM MAKES IT EASY.

B-7 2 3 2 - U 01 W S1 B E

REEL MATERIAL

1 = Stainless steel
2 = Epoxy coated

HOSE LENGTH

1 = 15 ft.
2 = 30 ft. (closed models only)
3 = 35 ft. (open models only)
4 = 50 ft.

DIAMETER

2 = 3/8"
3 = 1/2" (stainless models only)

REEL

C = Closed (3/8" only)
U = Open

OUTLET DEVICE

01 = EB-0107
1M = B-0107
1J = B-0107-J
02 = MV-2516-24
03 = MV-2516-34
04 = MV-2516-44
05 = MV-2522-24
06 = MV-2522-34
07 = MV-2522-44
08 = B-0108-H
8M = B-0108
10 = EB-2322
11 = MV-3516-24

MOUNTING BRACKETS

P = Pivot/Ceiling Bracket (G016652-45)
W = Wall Swing Bracket (G019430-45)
T = Table Leg Bracket (G018477-45)
X = No Bracket

SYSTEM TYPE

S1 = 8" Wall Mount
S2 = 8" Wall Mount with Additional Check Valves
S3 = Concealed Base
S4 = 8" Deck Mount
S5 = Cabinet
S6 = 8" Concealed Wall Mount with Loose Key Stops
S7 = Cabinet Recessed Mount
S8 = Cabinet Surface Mount
S9 = Single Hole Deck Mount

CARTRIDGE TYPE

E = Eterna
C = Cerama (not available on the S3, S5 and S6 system)

INLET TYPE

B = Bottom Inlet
T = Top Inlet (available only on the S7 and S8 systems)

Which outlet device is required? Shower spray or heavy duty water gun? Front or rear trigger? How to choose?



01 EB-0107
• 5.6 GPM



02 MV-2516-24
• 5/16" Orifice



8M B-0108
• 1.07 GPM



1M B-0107
• 1.15 GPM



03 MV-2516-34
• 7/16" Orifice



10 EB-2322
• 4.2 GPM



1J B-0107-J
• 1.07 GPM



04 MV-2516-44
• 9/16" Orifice



08 B-0108-H
• 3.28 GPM

11 MV-3516-24
• 5/16" Orifice



S1 8" Wall Mount



S4 8" Deck Mount



S7 Cabinet Recessed Mount



S2 8" Wall Mount with Additional Check Valves



S5 Cabinet



S8 Cabinet Surface Mount



S3 Concealed Base



S6 8" Concealed Wall Mount with Loose Key Stops



S9 Single Hole Deck Mount

Which system type is required? What sort of base suits your needs? How to choose?



B-7122-C01

- Enclosed stainless steel reel
- 3/8" x 30' (9m) heavy-duty blue hose
- EB-0107 high-flow blue spray valve
- Ratcheting retractable hose system
- 3/8" NPT female inlet
- Adjustable hose bumper
- Multi-fit bracket for wall, ceiling or under counter mounting



B-7222-C01

- Enclosed reel with epoxy coated steel finish
- 3/8" x 30' (9m) heavy-duty blue hose
- EB-0107 high-flow blue spray valve
- Ratcheting retractable hose system
- 3/8" NPT female inlet
- Adjustable hose bumper
- Multi-fit bracket for wall, ceiling or under counter mounting



B-7132-01

- Enclosed stainless steel reel
- 3/8" x 35' (10.7 m) heavy-duty blue hose
- EB-0107 high-flow blue spray valve
- Ratcheting retractable hose system
- 3/8" NPT female inlet
- Adjustable hose bumper
- Multi-fit bracket for wall, ceiling or under counter mounting



B-7132-02

- Enclosed stainless steel reel
- 3/8" x 35' (10.7 m) heavy-duty blue hose
- Stainless steel rear trigger water gun (MV-2516-24)
- Ratcheting retractable hose system
- 3/8" NPT female inlet
- Adjustable hose bumper
- Multi-fit bracket for wall, ceiling or under counter mounting



B-7232-01

- Open reel with epoxy coated steel finish
- 3/8" x 35' (10.7m) heavy-duty blue hose
- EB-0107 high-flow blue spray valve
- Ratcheting retractable hose system
- 3/8" NPT female inlet
- Adjustable hose bumper
- Multi-fit bracket for wall, ceiling or under counter mounting



B-7102-01

- Open stainless steel hose reel
- 3/8" x 12' heavy-duty non-marking hose rated to 300 PSI
- EB-0107 high-flow blue spray valve
- Ratcheting retractable hose system
- 3/8" NPT female inlet
- Adjustable hose bumper
- Multi-fit bracket for wall, ceiling or under counter mounting



B-7212-01

- Open epoxy coated steel hose reel
- 3/8" x 15' heavy-duty non-marking hose rated to 300 PSI
- EB-0107 high-flow blue spray valve
- Ratcheting retractable hose system
- 3/8" NPT female inlet
- Adjustable hose bumper
- Multi-fit bracket for wall, ceiling or under counter mounting



B-7132-U01WS7TC

- Recess mounted stainless steel hose reel cabinet with stainless steel open hose reel
- 3/8" x 35 heavy-duty non-marking hose rated to 300 PSI
- EB-0107 high-flow blue spray valve
- Ratcheting retractable hose system
- 1/2" NPT female union inlets for top inlets
- 1/2" NPT inlet swivel elbow and flange
- Adjustable hose bumper
- 3/6" flexible water hose connector with stainless steel quick disconnect
- 4-arm handles with color-coded indexes
- Control valve with quarter-turn Cerama cartridge with check valve
- 6" wall bracket
- EasyInstall 18" riser
- EasyInstall universal stainless steel wall mount hose reel 100° swing bracket



B-7161-C

- Under-counter mounted enclosed reel with stainless steel shroud
- 6' black hose rated to 300 PSI
- Self-closing, push button spray valve
- Quarter-turn ball valve shut-off
- 1/2" NPT male inlet



5R.M4Q.E507RR-W

- Enclosed reel with stainless steel shroud
- 13' EPDM retractable hose
- 4A.P507 Self-closing, push button spray valve with dual spray pattern
- Multi-T bracket for wall, ceiling or under-counter installation

Better built:
**T&S CHEKPOINT SENSOR FAUCET
(BELOW-DECK ELECTRONICS)**

**STAINLESS STEEL
BRAIDED SUPPLY HOSES**

**ADJUSTABLE TEMPERATURE CONTROL MIXING
VALVE OR AVAILABLE THERMOSTATIC MIXING VALVE**
Both with integral check valves

**TWO HYDROGENERATOR
POWER OPTIONS**

Low flow for 0.5-1.0 gpm or standard
flow for 1.0 gpm or higher

FILTERED INLET with serviceable strainer
filter that filters dirt and debris from water
supply to protect solenoid valve

**WATER-RESISTANT
CONTROL MODULE**

Protects critical electronics

CHROME-PLATED BRASS
for durability

VANDAL-RESISTANT AERATOR

Prevents removal of aerator, which
causes excessive water use

POWER SUPPLY OPTIONS

AC/DC power (with easywire/hardwire),
4AA battery, optional hydrogenerator

LOW BATTERY INDICATOR LIGHT

WALL- OR DECK-MOUNT OPTIONS AVAILABLE

Models designed specifically for 4" center retrofitting
do not require altering sink hole configuration

BELOW-DECK ELECTRONICS (BDE)

offer discrete installation of control box

**FORGED BRASS
DECKPLATE OPTIONS**

4" and 8" models available

**MULTIPLE AERATOR/OUTLET
AND NOZZLE OPTIONS**

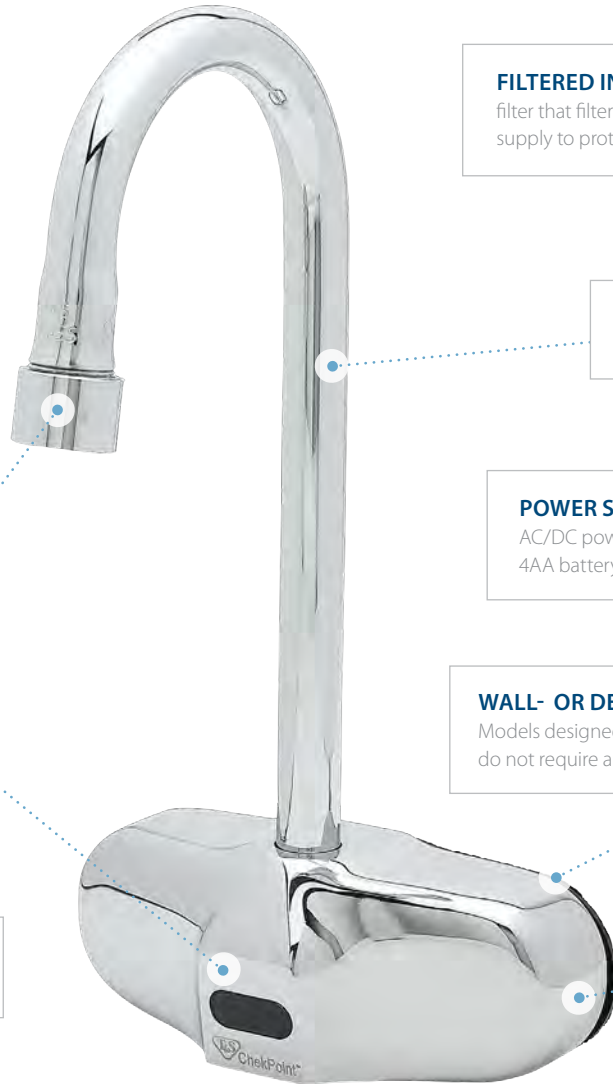
to accommodate any application

ADJUSTABLE FEATURES

Internal flow control settings for adjusting
auto time-out and shut-off delay

FAUCET GANGING OPTIONS

EC-Easywire and EC-hardwire options
allow installation of up to 8 faucets
on one power supply





EC-3101

- Wall mount chrome plated electronic faucet
- 2.2 GPM vandal resistant aerator (B-0199-06)
- Rigid gooseneck
- Mechanical temperature mixing valve with integral check valves
- AC/DC control module
- (2) 18" flex. supply hoses with 3/8" Eterna fittings

EC-3101-HG

- Same as B-3101 but with hydrogenerator power supply



EC-3105

- 4" c/c (2 hole) wall mount electronic sensor faucet
- 2.2 GPM vandal resistant aerator (B-0199-06)
- Designed for 4" centerset two-hole installations
- AC/DC control module (electric plug-in and battery)
- (2) 18" flexible supply hoses / 3/8" Eterna fittings
- Mechanical temperature mixing valve with integral check valves

EC-3105-HG

- Same as B-3105 but with hydrogenerator power supply



EC-3107

- 4" c/c (2 hole) deck mount faucet with polished chrome plated brass body
- 4 1/8" rigid gooseneck
- 2.2 GPM vandal resistant aerator (B-0199-06)
- Hydro-generator power supply
- (2) 18" flexible supply hoses / 3/8" Eterna fittings
- Mechanical temperature mixing valve with integral check valves
- Designed for 4" centerset two-hole installations

EC-3107-HG

- Same as B-3107 but with hydrogenerator power supply



EC-3104-VF05

- 4" c/c (2 hole) deck mount chrome plated electronic faucet with cast spout
- 0.5 GPM vandal resistant non-aerated spray device (B-0199-08-N05)
- Above deck electronics for easy control, installation and maintenance
- Plug in AC transformer or (4) AA battery (DC) power options
- Mechanical temperature mixing valve with integral check valves
- 18" flexible stainless steel supply hoses with 3/8" Eterna connections

EC-3104-VF05-HG

- Same as EC-3104-VF05 but with hydrogenerator power supply



EC-HYDROGEN

- Hydrogenerator power supply Installation package
- 1/2" NPSM male inlet and outlet
- Minimal flow rate of 1.0 GPM required to activate unit



EC-HYDROGEN-LF

- Hydrogenerator power supply Installation package
- 1/2" NPSM male inlet and outlet
- For use with flow rates of 0.5 GPM up to 1.0 GPM maximum

Did You Know? Gas Connectors Cannot Be Reused

Replacing or Moving Appliances

Gas Connectors **cannot be reused** when an appliance is being **replaced** or **moved to a new location**.

- ANSI Z21.69 / CSA 6.16 Standard

Yellow Coating Awareness and Usage

YELLOW coating complies with the **ASME A 13.1** color designation for **flammable** and **oxidizing**.

SAFE-T-LINK

ASME A 13.1



T&S SAFE-T-LINK Gas Hoses

Safer. More Reliable. Made To Last



Connect with confidence: **SAFE-T-LINK® GAS CONNECTORS**

WELDED FITTINGS:

Will not pull off under stress

FREESPIN FITTING:

360-degree rotation prevents twisting of hose during appliance movement

EXTRUDED COATING:

Unlike dipped coatings, does not intrude on braid and maintains even thickness for strength and flexibility

SWIVELINK SWIVEL:

Increased mobility and space savings

SHUT-OFF VALVE (QDV):

Prevents gas connector from being disconnected until the valve handle is in the off position

YELLOW COLOR:

Complies with ASME A 13.1 color designation for hazardous materials

OPTIONAL QUICK-DISCONNECTS:

Available for wall and appliance ends

STAINLESS STEEL BRAIDED HOSE:

Machine braided tight fit provides increased tensile strength vs. gapped braid

LEADING HOSE STRENGTH:

Requires 64% more force to kink hose vs. competitors

MULTIPLE SIZE OPTIONS:

24" to 72" lengths and 1/2" NPT to 1" NPT internal thread and diameters

LONG-LASTING DURABILITY:

Last 2.5 times as long as competitors in appliance pull-away tests

Specifying An HG-2 and HG-4 Gas Appliance Connector

HG- A B - C D - E

A **Hose Design**

Male to Male	2
Male to Quick Disconnect	4

B **Internal Thread and Diameter**

1/2" NPT	C
3/4" NPT	D
1" NPT	E
1 1/4" NPT	F

C **Length**

24"	24
36"	36
48"	48
60"	60
72"	72



HG-2



HG-2S



HG-4



HG-4S

Example: Gas hose and Installation Kit with Quick Disconnect Valve, 3/4" NPT and 48" long with SwiveLink fittings, includes POSI-SET™:

HG-4D-48SK

D **Suffixes**

SwiveLink Add SwiveLink fitting to both ends of the hose fittings **S**

Installation Kit Includes everything necessary for an installation **K**

POSI-SET™ Includes one pair POSI-SET™ (Wheel Placement System for Moveable Cooking Equipment) **PS**

Specifying An HG-4 Gas Appliance Connector with Safe-T-Guard™ Quick Disconnect Valve Combination Device

HG-4 A - B C - D - E

A **Internal Thread and Diameter**

1/2" NPT	C
3/4" NPT	D
1" NPT	E

Example: Gas hose and Installation Kit with Quick Disconnect Valve, 3/4" NPT and 48" long with SwiveLink fittings, includes POSI-SET™:

HG-4D-48GS-K-PS

B **Length**

24"	24
36"	36
48"	48
60"	60
72"	72

C **Quick Disconnect Valve Options**

2-Piece quick disconnect valve combination device	G
2-Piece quick disconnect valve combination device and SwiveLink fittings on both ends	GS



HG-4G



HG-4GS

D **Suffixes**

Installation Kit Includes everything necessary for an installation **K**

POSI-SET™ Includes one pair POSI-SET™ (Wheel Placement System for Moveable Cooking Equipment) **PS**

Specifying An **HG-4SEL** Gas Appliance Connector with Single SwiveLink Fitting and Quick Disconnect

HG-4 A - B C - D

A

Internal Thread and Diameter

1/2" NPT	C
3/4" NPT	D
1" NPT	E
1 1/4" NPT	F

B

Length

24"	24
36"	36
48"	48
60"	60
72"	72

C

Single Swivel Models

Includes (1) SwiveLink, (1) street elbow, (1) ball valve and a restraining cable

SEL



HG-4SEL

Example: Gas hose with two-piece Quick Disconnect. (1) SwiveLink fitting, (1) street elbow, (1) ball valve and a restraining cable: **HG-4D-48SEL**

D

Suffixes

POSI-SET™ Includes one pair POSI-SET™ (Wheel Placement System for Moveable Cooking Equipment) **PS**

Specifying An **HG-4GSEL** Gas Appliance Connector with Safe-T-Guard™ Quick Disconnect Valve Combination Device

HG-4 A - B C - D - E

A

Internal Thread and Diameter

1/2" NPT	C
3/4" NPT	D
1" NPT	E

B

Length

24"	24
36"	36
48"	48
60"	60
72"	72

C

Safe-T-Guard™ Device

2-Piece quick disconnect valve combination device

G



HG-4GSEL

Example: Gas hose with Safe-T-Guard™ Quick Disconnect Valve, one SwiveLink fitting, (1) elbow and restraining cable: **HG-4D-48G-SEL**

D

Includes (1) SwiveLink, (1) street elbow and a restraining cable **SEL**

E

POSI-SET™ Includes one pair POSI-SET™ (Wheel Placement System for Moveable Cooking Equipment) **PS**

SAFE-T-LINK® GAS APPLIANCE CONNECTORS

Specifying An HG-6 Gas Appliance Connector with Reverse Quick Disconnect Devices

HG-6 A - B C

A

Internal Thread and Diameter

1/2" NPT	C
3/4" NPT	D
1" NPT	E
1 1/4" NPT	F

Example: Gas hose with Reverse Quick-Disconnect, 3/4" NPT, 48" long: **HG-6D-48**

B

Length

24"	24
36"	36
48"	48
60"	60
72"	72

C

Quick Disconnect Valve Options

2-Piece quick disconnect valve combination device (**HG-6G**)

Reverse quick disconnect and SwiveLink fittings on both ends (**HG-6-S**)



G

S



HG-6



HG-6-S



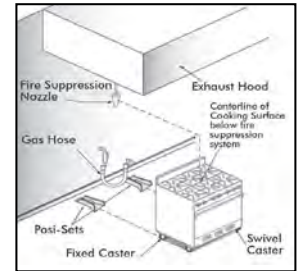
HG-6G

SAFE-T-LINK® POSI-SET, PARTS, COMPONENTS AND ACCESSORIES

- POSI-SET is also available bundled together with our most popular Safe-T-Link® Gas Hose models
- Refer to the list at right for available model numbers
- One pair of POSI-SET included with each gas hose model
- Wheel placement system for moveable cooking equipment
- Designed for the positive placement of moveable gas equipment
- Ensures proper relocation of equipment after moving, cleaning or repairs
- Made of flame retardant thermoplastic resin & virtually indestructible
- Includes mounting hardware for proper installation
- Designed to meet the requirements of NFPA 17A 5.6.4 2009 Edition

POSI-SET Models:

HG-2C-36-PS	HG-4D-36SK-PS	HG-4D-60S-PS
HG-2C-48-PS	HG-4D-48-PS	HG-4D-60SK-PS
HG-4C-48K-PS	HG-4D-48K-PS	HG-4E-48K-PS
HG-4C-48SK-PS	HG-4D-48S-PS	HG-4E-48SK-PS
HG-4D-36-PS	HG-4D-48SEL-PS	
HG-4D-36K-PS	HG-4D-48SK-PS	
	HG-4D-60-PS	



Two-Piece Quick-Disconnect

1/2"	AG-5C
3/4"	AG-5D
1"	AG-5E
1 1/4"	AG-5F



SwiveLink

1/2"	AG-6C
3/4"	AG-6D
1"	AG-6E
1 1/4"	AG-6F



Gas Ball Valve

1/2"	AG-7C
3/4"	AG-7D
1"	AG-7E
1 1/4"	AG-7F



SAFE-T-GUARD®

2-Piece Quick Disconnect Shut-Off Valve

1/2"	AG-9C
3/4"	AG-9D
1"	AG-9E



• Additional hose models are available upon request

Elbows*

Female-Male Street El*

1/2"	AG-8C-MF
3/4"	AG-8D-MF
1"	AG-8E-MF
1 1/4"	AG-8F-MF

Female-Female Elbow (not shown)

1/2"	AG-8C-FF
3/4"	AG-8D-FF
1"	AG-8E-FF
1 1/4"	AG-8F-FF



Female-Male Street El

*All Elbows are in compliance with ASTM standards

*Use of Street Els prohibited in Canada

GAS APPLIANCE CONNECTORS CAPACITY

The connector of a given size and length **must meet the minimum capacity valve** stated by the standard under the test conditions. The connectors are not tested for a maximum capacity.

For example: If your customer has an appliance that requires 400,000 B.T.U./hr, you need a connector that can supply at least 400,000 B.T.U./hr. The ability to supply more than that is generally not a problem, but you don't want to supply less.

MINIMUM B.T.U. PER HOUR (IN THOUSANDS) REF: ANSI Z21.69 / CSA 6.16



		12"	24"	36"	48"	60"	72"
HG-2	C= 1/2"	166	150	125	106	95	86
	D= 3/4"	320	291	250	215	200	174
	E= 1"	639	582	515	443	395	348
	F= 1 1/4"	1185	1075	945	818	735	634
HG-2-S		12"	24"	36"	48"	60"	72"
	C= 1/2"	140	129	111	97	90	84
	D= 3/4"	320	291	250	215	200	174
	E= 1"	639	582	515	443	395	348
HG-4		12"	24"	36"	48"	60"	72"
	C= 1/2"	92	85	75	70	65	55
	D= 3/4"	259	235	220	180	160	140
	E= 1"	455	420	380	335	290	280
HG-4-S	F= 1 1/4"	770	700	620	540	475	420
HG-4G		12"	24"	36"	48"	60"	72"
	C= 1/2"	92	85	75	70	65	55
	D= 3/4"	259	235	220	180	160	140
HG-4GS	E= 1"	455	420	380	335	290	280





5F-8WLZ12

- 8" wall mount mixing faucet
- 1/2" NPT female inlets with 2" wall flanges
- 12" equip swing nozzle with laminar flow device
- Quarter-turn Cerama cartridges
- Includes 1/2" NPT Supply Kit
- **Installation Kit Available: B-0230-KIT**
- **Case Pack Available: 5F-8WLZ12-PQ6 (6)**

5F-8WLZ08

- Same as 5F-8WLZ12 but with 8" swing nozzle
- **Installation Kit Available: B-0230-KIT**
- **Case Pack Available: 5F-8WLZ08-PQ6 (6)**

5F-8WLZ14

- Same as 5F-8WLZ12 but with 14" swing nozzle
- **Installation Kit Available: B-0230-KIT**
- **Case Pack Available: 5F-8WLZ14-PQ6 (6)**



5F-4WLX03

- 4" wall mount mixing faucet
- 1/2" NPT male inlets
- 3" equip swivel gooseneck with 2.2 GPM aerator
- Quarter-turn Cerama cartridges
- **Case Pack Available: 5F-4WLX03-PQ6 (6)**

5F-4WLX06

- Same as 5F-4WLX03 but with 6" swing nozzle with 2.2 GPM aerator
- **Case Pack Available: 5F-4WLX06-PQ6 (6)**



5F-4CLX06

- 4" wall mount mixing faucet
- 1/2" NPT male inlets
- 6" swing nozzle with laminar flow device
- Quarter-turn Cerama cartridges
- 6" swing nozzle with laminar full flow device
- **Case Pack Available: 5F-4CLX06-PQ6 (6)**



5PR-8WLZ00

- 8" wall mount mixing faucet
- 1.15 GPM spray valve
- Adjustable centers 7 3/4" to 8 1/4"
- 1/2" NPT female eccentric inlets with 2" flanges
- 18" rigid riser
- 6" adjustable wall bracket
- Quarter-turn Cerama cartridges
- 44" flexible stainless steel hose with heat resistant black handle and hold down ring
- Includes 1/2" NPT Supply Kit
- **Case Pack Available: 5PR-8WLZ00-PQ6 (6)**

5PR-8WLZ12

- Same as 5PR-8WLZ00 but with add-on faucet and 12" swing nozzle
- **Case Pack Available: 5PR-8WLZ12-PQ6 (6)**



5PR-2S00

- Single hole deck mount mixing faucet
- 1.15 GPM spray valve
- 1/2" BSPP in-line check valves
- 18" flexible stainless steel supply hoses with 1/2" NPSM / 5/8" Eterna connections
- Quarter-turn Cerama cartridges
- 44" flexible stainless steel hose with heat resistant black handle and hold down ring
- **Case Pack Available: 5PR-2S00-PQ6 (6)**

5PR-2S12

- Same as 5PR-2S00 but with add-on faucet and 12" swing nozzle



5GF-8P

- 8" high deck glass filler
- 1/2" NPT male inlet
- Pedestal with adjustable deck flange
- Push back actuation arm with instantaneous shut-off
- **Case Pack Available: 5GF-8P-PQ6 (6)**



5AFL12

- Add-on faucet
- 12" swing nozzle with laminar full flow device
- 3" nipple with 3/8" NPT male inlet
- 3/8" NPT female outlet
- Quarter-turn Cerama cartridges
- **Case Pack Available: 5AFL12-PQ6 (6)**

5AFL08

- Same as 5AFL12 but with 8" swing nozzle
- **Case Pack Available: 5AFL08-PQ6 (6)**



- 5SV**
- 1.15 GPM spray valve
 - 3/4-14 UN male inlet fitting
 - **Case Pack Available: 5SV-PQ6 (6)**



- 5SV-C**
- 1.20 GPM spray valve
 - 3/4-14 UN male inlet fitting
 - **Case Pack Available: 5SV-C-PQ6 (6)**



- 5SP-08**
- 8" swing nozzle
 - Laminar flow outlet device
 - **Case Pack Available: 5SP-08-PQ6 (6)**

- 5SP-12**
- Same as 5SP-08 but with 12" swing nozzle
 - **Case Pack Available: 5SP-12-PQ6 (6)**



- 5HSE44**
- 44" flexible stainless steel hose with heat resistant black handle
 - 3/4-14 UN female inlet
 - 3/4-14 UN female outlet
 - Hose washers included
 - **Case Pack Available: 5HSE44-PQ6 (6)**

NOTES... _____



5HR-232-01

- Epoxy coated open hose reel
- 35' (10.7 m) hose length
- 3/8" hose rated at 300 PSI with a maximum temperature of 140°F
- 5SV-WH high flow spray valve
- 3/8" NPT female inlet
- Multi-fit bracket for wall, ceiling or under counter mounting
- Adjustable hose bumper



5HR-351-01

- Stainless steel open dual arm hose reel
- 65' (19.8 m) hose length
- 1/2" hose rated at 300 PSI with a maximum temperature of 140°F
- 5SV-WH high flow spray valve
- 1.5m x 1/2" supply hose with 1/2" NPSM female inlet

5HR-361-01

- Same as 5HR-351-01 but with 82' (25 m) hose length



5HR-351-12

- Stainless steel open dual arm hose reel
- 65' (19.8 m) hose length
- 1/2" hose rated at 300 PSI with a maximum temperature of 140°F
- EMV-0522-24 spray valve
- 1.5m x 1/2" supply hose with 1/2" NPSM female inlet

5HR-361-12

- Same as 5HR-351-12 but with 82' (25 m) hose length



021131-45

- Stainless steel wall mount swing bracket designed for 1/2" heavy duty hose reels
- 100° rotation
- Designed for one person installation
- Fits equip stainless steel with 1/2" hose reels
- Includes reel-to-bracket mounting hardware
- Includes safety c-clips to secure hose reel after installation
- Positive stops built in to bracket to keep hose reel from hitting or damaging wall



T&S BRASS AND BRONZE WORKS, INC.

2 Saddleback Cove • P.O. Box 1088 • Travelers Rest, SC 29690
U.S. Toll-free 800-476-4103 • +1 864-834-4102 • Fax 800-868-0084
E-mail customerservice@tsbrass.com
Canada Toll-free +1 888-288-0432

800-016255-45

Rev. 11

2/26