



TRUE MANUFACTURING CO., INC.  
RETAIL DIVISION

2001 East Terra Lane • O'Fallon, Missouri 63366-4434 • (636)240-2400  
Fax (636)272-2408 • Toll Free (800)325-6152 • Intl Fax# (001)636-272-7546  
Parts Dept. (800)424-TRUE • Parts Dept. Fax# (636)272-9471 • www.truemfg.com

Project Name: \_\_\_\_\_

Location: \_\_\_\_\_

Item #: \_\_\_\_\_ Qty: \_\_\_\_\_

Model #: \_\_\_\_\_

A/A #

S/S #

Model:

**CVM-11-HC~EGC01**

## Contemporary Visual Merchandiser:

Swing Door Refrigerator with Hydrocarbon Refrigerant~Edge Glass Curved Version 01



CURVED EDGE DOOR DESIGN



## FEATURES

With its curved edge design and increased beverage storage, the series redefines merchandising

The curved-edged door design has a built-in handle for opening the door from the top or side.

Illuminated handle position indicator.

Uses environmental friendly R290 Hydrocarbon refrigerant.

Energy efficient, factory balanced, refrigeration system holds 33°F to 38°F (.5°C to 3.3°C).

Self-Cleaning Technology eliminates the need for cleaning of condenser coil, reduces energy consumption and helps maintain the coldest temperature and freshest product.

## ROUGH-IN DATA

Specifications subject to change without notice.  
Chart dimensions rounded up to the nearest 1/8" (millimeters rounded up to next whole number).

Model	Doors	Shelves	Cabinet Dimensions (inches) (mm)			HP	Voltage	Amps	NEMA Config.	Cord Length (total ft.) (total m)	Crated Weight (lbs.) (kg)
			W	D†	H						
CVM-11-HC~EGC01	1	4	24 7/8 630	22 7/8 581	53 5/8 1360	1/8 N/A	115/60/1	2.5 N/A	5-15P	10 3.05	210 95

† Depth does not include 1" (26 mm) for rear bumper.



APPROVALS:

AVAILABLE AT:

Model:  
CVM-11-HC~EGC01

# Contemporary Visual Merchandiser:

Swing Door Refrigerator with Hydrocarbon Refrigerant~Edge Glass Curved Version 01



## STANDARD FEATURES

### DESIGN

- True's Contemporary Series is built with durability, stability, and style in mind. Through the series' curved edge design it redefines merchandising with its inspired product displays and increased beverage storage.

### REFRIGERATION SYSTEM

- Factory engineered, self-contained, capillary tube system using environmentally friendly R290 hydrocarbon refrigerant that has zero (0) ozone depletion potential (ODP), & 0.02 global warming potential (GWP).
- High capacity, factory balanced refrigeration system that maintains cabinet temperatures of 33°F to 38°F (.5°C to 3.3°C) for the best in food preservation.
- State of the art, electronically commutated evaporator and condenser fan motors. ECM motors operate at higher peak efficiencies and move a more consistent volume of air which produces less heat, reduces energy consumption and provides greater motor reliability.
- NSF/ANSI Standard 7 compliant for the storage and/or display of packaged or bottled product.

### CABINET CONSTRUCTION

- Exterior - non-peel or chip black powder coated cold rolled steel; durable and permanent.
- Welded, heavy duty steel frame rail, black powder coated for corrosion protection.

- Interior - attractive, back aluminum interior liner with stainless steel floor.
- Insulation - entire cabinet structure is foamed-in-place using a high density, polyurethane insulation that has zero ozone depletion potential (ODP) and zero global warming potential (GWP).
- Leg Levelers and (4) 2½" integrated rollers.

### DOOR

- "Low-E", double pane thermal insulated glass door assembly with mitered plastic channel frame. The latest in energy efficient technology.
- The door features an integrated LED handle indicator for a sleek, modern appearance.
- Self closing door. Positive seal, torsion type closure system.
- Magnetic door gasket of one piece construction, removable without tools for ease of cleaning.
- Edge door will not change when an alternative interior or exterior finish is ordered.

### SHELVING

- Four (4) adjustable, heavy duty PVC coated wire shelves 20 ¾" L x 17 ½" D (524mm x 445 mm). Four (4) chrome plated shelf clips included per shelf.
- Shelf support pilasters made of same material as cabinet interior; shelves are adjustable on ½" (13mm) increments.

### LIGHTING

- LED interior lighting, safety shielded.

### ELECTRICAL

- Unit completely pre-wired at factory and ready for final connection to a 115/60/1 phase, 15 amp dedicated outlet. Cord and plug set included.



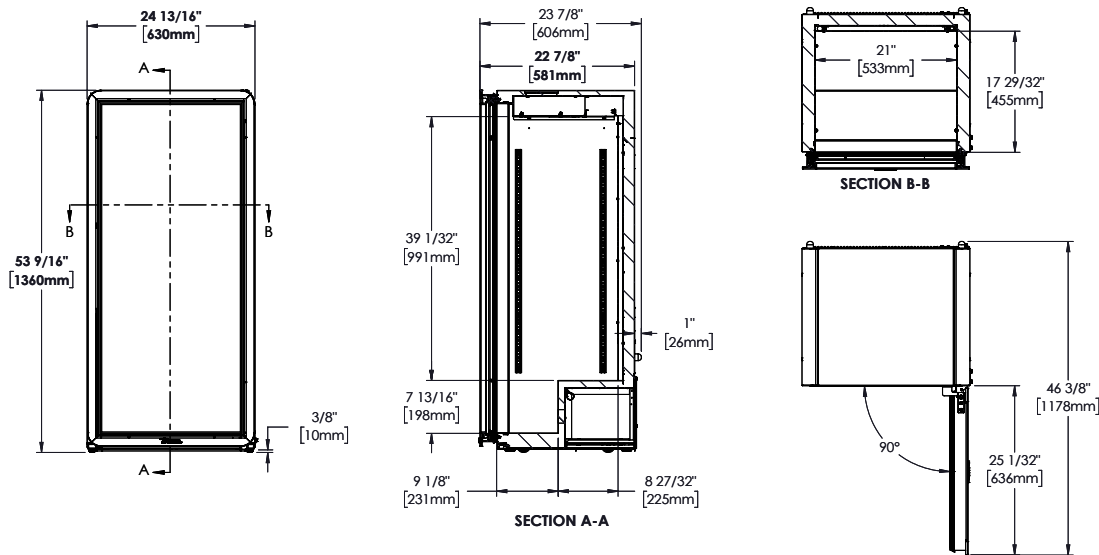
115/60/1  
NEMA-5-15R

### OPTIONAL FEATURES/ACCESSORIES

Upcharge and lead times may apply.

- White exterior.
- Stainless steel exterior.
- Stainless steel interior with gray shelving..
- White aluminium interior liner with white shelving.
- 2 ½" (64 mm) diameter castors includes anti-tip bracket.
- Red wine thermostat.
- White wine thermostat.
- Chocolate thermostat.
- Additional shelves.
- TrueFlex gravity feed organizers.
- Pricing strips.
- Door sign decal. Variety of decal options available.
- Left door hinge available.

## PLAN VIEW



METRIC DIMENSIONS ROUNDED UP TO THE NEAREST WHOLE MILLIMETER

SPECIFICATIONS SUBJECT TO CHANGE WITHOUT NOTICE



Model	Elevation	Right	Plan	3D	Back
CVM-11-HC-EGC01					

## TRUE MANUFACTURING CO., INC.

2001 East Terra Lane • O'Fallon, Missouri 63366-4434 • (636)240-2400 • Fax (636)272-2408 • Toll Free (800)325-6152 • Intl. Fax# (001)636-272-7546 • www.truefmfg.com