

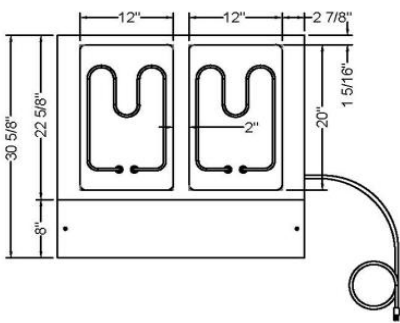
FEATURES:

Durable, heavy-duty steam table
16GA.304S/S top, 18GA.304S/S open well,
18GA.430S/S apron and back
18GA.430S/S undershelf with aluminum die cast clamp
16GA.430S/S support shelf with removable 1/2" thick 8" deep poly cutting board

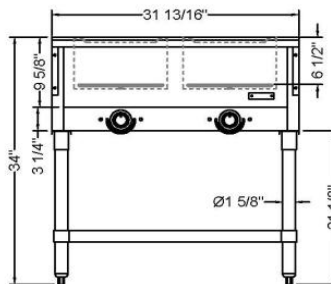
Item #: _____ **Qty #:** _____
Model #: _____
Project #: _____

Item	Description	Dry Well No.	Well Ga.	Well Size (inch)			Overall Size (inch)			Hertz	Voltage	Wattage
				W	L	H	W	L	H			
E-EST-2OW-US	Electric hot food steam table	2	18	12	20	6.5	30-5/8	31-13/16	34	60	120	1000
E-EST-3OW-US	Electric hot food steam table	3	18	12	20	6.5	30-5/8	48	34	60	120	1500
E-EST-4OW-US	Electric hot food steam table	4	18	12	20	6.5	30-5/8	60	34	60	240	3000
E-EST-5OW-US	Electric hot food steam table	5	18	12	20	6.5	30-5/8	73-13/16	34	60	240	3750

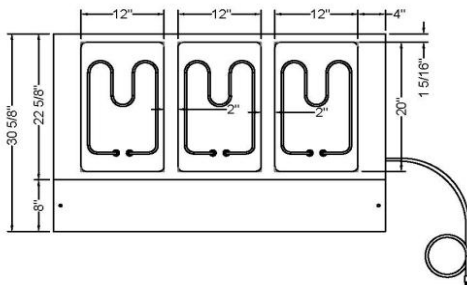
TOP



FRONT



TOP



FRONT

