



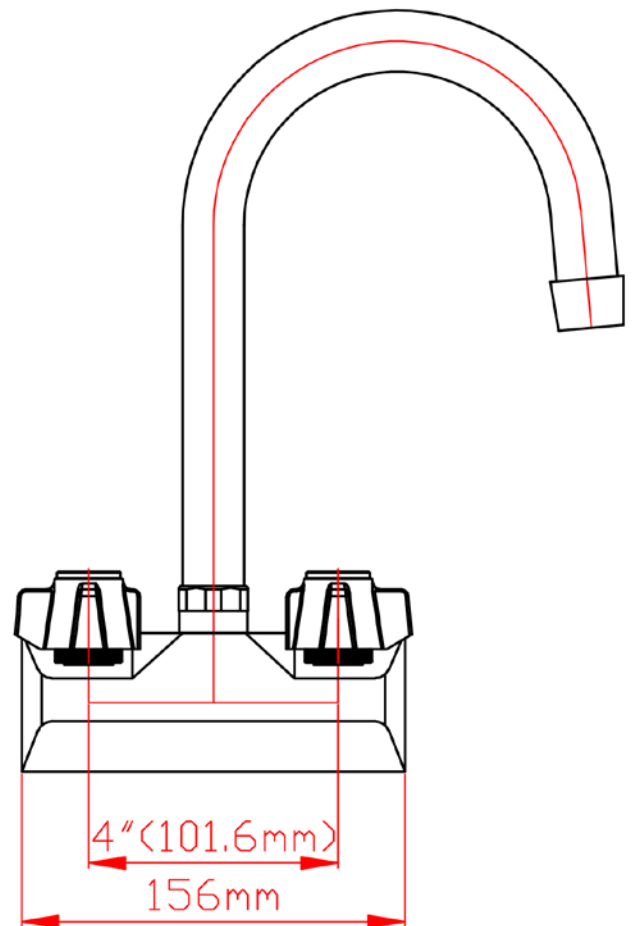
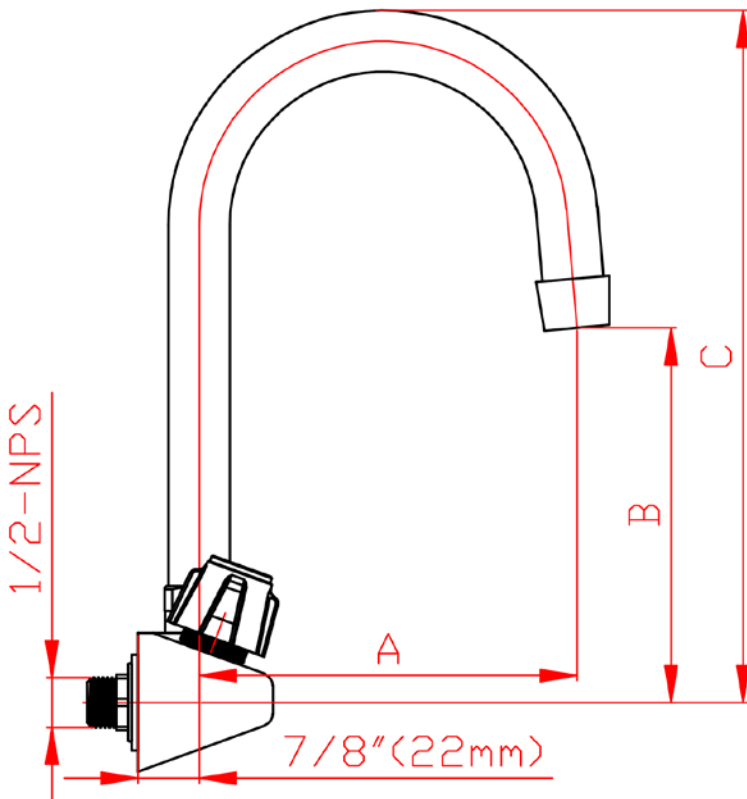
Width:	6 1/8"
Depth:	3 1/2"
Height:	7 7/8"
Flow Rate:	2.0 GPM
Connection:	4" - 1/2" NPT Inlet
Weight:	3.31 lbs
Shipping Size (Inch):	17.72" x 15.35" x 11.81"
Warranty	1 Year Parts & Labour

Wall Mount Faucets

Features



- Wall-mounted, lead-free faucet
- Chrome-plated brass body with a chrome-plated zinc alloy handle
- Flow Rate: 2.0 GPM (7.5 L/min) at 60 PSI maximum
- 4" (102 mm) centers with 3-1/2" (89 mm) gooseneck spout



Specifications are subject to change.
121 McLean Drive, Vancouver, British Columbia