

TECHNICAL DATA SHEET
**COUNTERTOP
 NAPKIN DISPENSERS**
 FULLFOLD



H3001TBKBK

Product Code: H3001*

(*Specify desired face and body color after item number.
 Example: H3001CLXC)

Construction:

Face – 18-gauge steel or poly carbonate plastic

Body – 20-gauge steel

Base – high-impact plastic

Color:

Code	Face	Body
CLBK	Clear	Black
CLXC	Clear	Chrome
TBKBK	Black Pearl	Black
BKC	Chrome	Black
XC	Chrome	Chrome

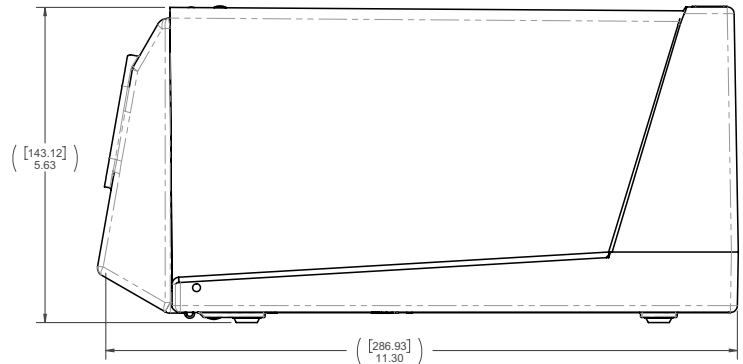
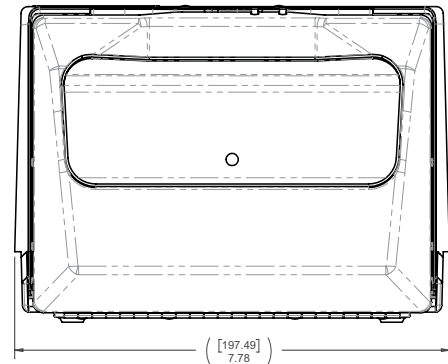
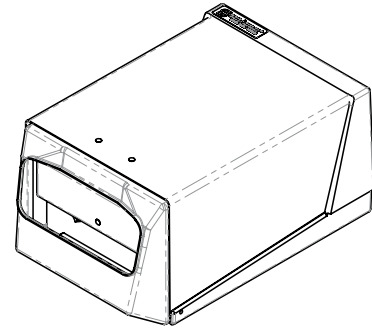
Dimensions (H x W x D):

5 1/2" x 7 5/8" x 11" (140 x 194 x 279 mm)

Napkin Type: Fullfold

Capacity: 300+

Weight: 3.88 lbs



San Jamar
 555 Koopman Lane
 Elkhorn, Wisconsin 53121
 USA
 T: +1.262.723.6133
 F: +1.262.226.8664
 info@sanjamar.com
 www.sanjamar.com

Canada
 3280 Bloor Street West
 Suite 1140
 11th Floor, Centre Tower
 Toronto, ON M8X 2X3
 CANADA
 T: +1.262.723.6133
 F: +1.262.226.8664
 canada@sanjamar.com

Europe
 Schoorstraat 26a, bus 1
 2220 Heist-op-den-Berg
 BELGIUM
 T: +32 15 22 81 40
 F: +32 15 22 81 48
 emea@sanjamar.com

México
 Av. Paseo de la Reforma No. 350 - 10
 Col. Juárez
 Deleg. Cuauhtemoc, CP 06600
 MEXICO, D.F.
 T: +52 (55) 3626 0772
 mexico@sanjamar.com

