

TECHNICAL DATA SHEET
**VENUE[®] TABLETOP
NAPKIN DISPENSER**
FULLFOLD/CONTROL NAPKINS



Product code:

H4005TBK

Colors:

Transparent Black

Advertising Insert:

4.25" H x 6.50" W

Item Dimensions:

6.25" H x 7.50" W x 6.13" D

Capacity:

200-250 Fullfold/Control face napkins

Unit weight:

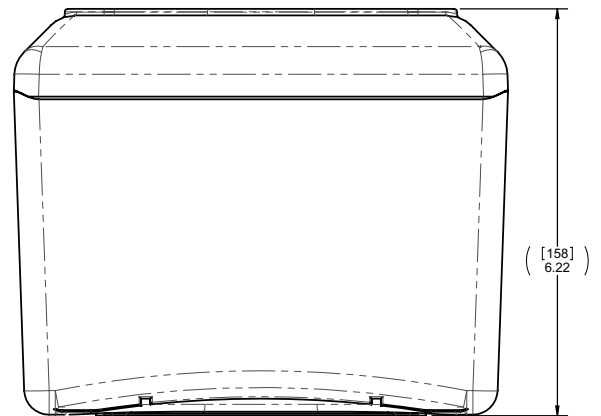
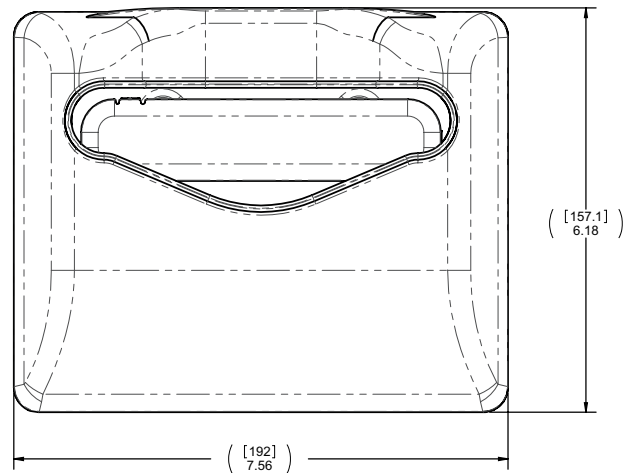
1.75 lbs

Materials:

Dispenser Body & Faceplate – Transparent ABS HIPs;

Insert/Plate – High Impact Polystyrene Plastic;

Spring – Stainless Steel



San Jamar
555 Koopman Lane
Elkhorn, Wisconsin 53121
USA
T: +1.262.723.6133
F: +1.262.226.8664
info@sanjamar.com
www.sanjamar.com

Canada
3280 Bloor Street West
Suite 1140
11th Floor, Centre Tower
Toronto, ON M8X 2X3
CANADA
T: +1.262.723.6133
F: +1.262.226.8664
canada@sanjamar.com

Europe
Schoorstraat 26a, bus 1
2220 Heist-op-den-Berg
BELGIUM
T: +32 15 22 81 40
F: +32 15 22 81 48
emea@sanjamar.com

México
Av. Paseo de la Reforma No. 350 - 10
Col. Juárez
Deleg. Cuauhtemoc, CP 06600
MEXICO, D.F.
T: +52 (55) 3626 0772
mexico@sanjamar.com

