

Project:	Quantity:
Model #:	Approval:

For Commercial Use Only

PHLM20B-T 20 Quart Gear Driven Commercial Planetary Stand Mixer with Timer



FEATURES

- Planetary mixer
- Cast iron construction
- Heavy-duty use
- With (0-30) minute timer function
- Wire bowl safety guard
- 3-speed control
- #12 hub for meat grinder attachment
- Hook, paddle, whip included
- Push-button controls
- Floor model usage

The Preline commercial electric planetary mixer is designed for heavy duty use in commercial kitchen. This planetary mixer will come through, however hard the job appears to be. Whether you're looking to mix dough, cake ingredients, or cookie batters - the Preline commercial planetary stand mixer makes the job super easy and better performance (flour and dough must only be mixed with the dough hook on low speed).

- cETLus Listed
- ETL Sanitation Listed



This product has been tested certified to meets NSF Sanitation Standard

USR Brands is a US supplier of premium quality commercial cooking, refrigeration and food preparation equipment. Our aim is simple. Produce industry-leading commercial restaurant equipment at reasonable prices, and back it all up with an easy to understand, no nonsense warranty that people can count on.

Project:	Quantity:
Model #:	Approval:

For Commercial Use Only

TECHNICAL DATA

DIMENSIONS

Overall Dimensions	24.8"L x 23.2"D x 35"H
Packaging Dimensions	26"L x 25 x 38"H
Capacity	20 qt.
Unit Weight	238 lb.
Shipping Weight	260 lb.

ELECTRICAL

Voltage	110
Hertz	60
Phase	1
Wattage	1100
Plug Type	NEMA 5-15P
Power Cord Length	72"

MIXING

Mixer Type	Planetary
Mixing Heads	1
Transmission Type	Gear Driven
Number of Gear Speed	3
Horsepower	1 1/2
Speed (RPM)	108/195/355
Control Type	Push Button
Bowl Guard Type	Wire
Bowl Lift Control	Manual
Attachment Hub Type	#12
Dry Dough Capacity	11 lbs.
Dough Capacity	18 lbs.

CONSTRUCTION

Exterior Material	Cast Iron
Accessories Included	Stainless Steel Mixing Bowl Stainless Steel Wire Whisk Aluminum Dough Hook Aluminum Flat Beater
Optional Attachment	Meat Grinder

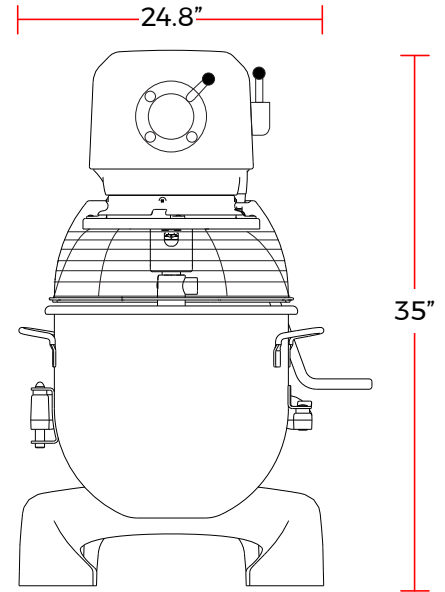
TECHNICAL DRAWING

MODEL: PHLM20B-T

MFR MODEL: HLM-20B



FRONT VIEW



SIDE VIEW

