

PRODUCT MANUAL - M096

MODEL 270 ELECTRIC CAN OPENER





I.
LABELS

L087--CAUTION

**CAUTION: Make sure that the
knifeholder is latched and the gear
is properly locked in place before
operating the can opener.**

**DO NOT OPERATE THE CAN OPENER
WITHOUT INSERTING A CAN.
CLEAN KNIFE AND GEAR DAILY**

L087



Edlund Company, 319 Queen City Park Road, Burlington, VT 05401 802-862-9661 www.edlund.com

II.

MODEL NO.	270
POWER REQUIREMENTS	115 VOLT, 1.5 AMP, 50-60HZ 230 VOLT, 0.8 AMP, 50-60 HZ
NORMAL SPEED	200-250 RPM
LOW SPEED	160-200 RPM
SIZE	6 3/4" X 11 1/2" X 10" (172mm x 292mm x 254mm)
WEIGHT	20 lbs. (9 kg.)

SPECIFICATIONS

III. CAN OPENER DESCRIPTION

The Model 270 electric can opener, manufactured by the Edlund Company, is approved by the appropriate certifying organizations. The model 270 can opener is a table-type opener with a sculpted base to guide a full No. 10 can. All the external parts are manufactured of stainless steel and other non-corrosive materials. The knifeholder, knife, drive gear and shield can be removed easily without tools for replacement or cleaning.

The Model 270 operates at two speeds. The high speed is used for most can opening operations. The low speed is intended for difficult to open cans. The operating speed can be selected by positioning the rocker switch on the side of the opener to the speed desired.

IV. CAN OPENER OPERATION

To operate, plug the power cord into a grounded outlet with the same voltage as listed on the back of the can opener. If opening a standard seven-inch high no. 10 can, slide the can against the can opener sculpted front and drive gear. and pull the handle forward to its locked-down position. Remove your hand from the can when the can opener starts turning the can. The motor will start and the can will rotate until the lid is severed from the can, after one full revolution. Raise the actuating lever to stop the opener.

If the lid is not completely severed or if the can is ejected from the gear, consult the maintenance instruction and/or trouble-shooting guide later in this manual. After opening the can, raise the lever and grasp the can simultaneously

CAUTION: SEVERED CAN LIDS HAVE SHARP EDGES. USE OF A PROTECTIVE GLOVE OR TONGS IS ADVISED WHEN HANDLING LIDS.



Edlund Company, 319 Queen City Park Road, Burlington, VT 05401 802-862-9661 www.edlund.com

V. CLEANING AND MAINTENANCE INSTRUCTIONS

WARNING: NEVER CLEAN OR MAINTAIN ANY CAN OPENER WITHOUT UNPLUGGING THE UNIT FROM ELECTRICAL POWER SOURCE.

THE CAN OPENER MUST BE KEPT CLEAN.

The Model 270 can opener must be kept clean, not only for the obvious reasons of sanitation, but more important, for operational reasons as well. The rotary knife of an electric can opener must rotate freely for the can opener to operate properly. If the knife is bound by residual food product, the knife will not rotate and wear will not be distributed around the periphery of the knife.

MORE IMPORTANT THAN THE WEAR, A NON-ROTATING KNIFE WILL NO LONGER BE SHEARING THE METAL CAN TOP AS DESIGNED AND METAL SLIVERS MAY OCCUR!

The knifeholder, knife, gear and shield can be removed as follows in order to clean and maintain the Model 270 can opener.

Removal of the knifeholder, knife, gear and shield.

1. To remove the above parts, first rotate the knifeholder latch clockwise.
2. Slide the knifeholder to the right (Fig.1)
3. Rotate the knifeholder counterclockwise and then pull it off to the right. Knifeholder is now free. (Fig.2)
4. To remove the knife, grasp it by the shoulder, twist it and pull it off (Fig.3)
5. To remove the gear and the shield, rotate the shield 1/4 turn clockwise. (Fig.4)
6. The shield and the gear can now be removed. (Fig.5)

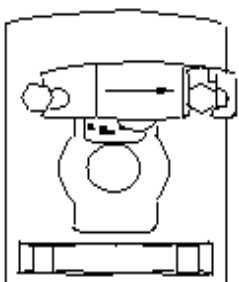


Fig. 1



Fig. 2

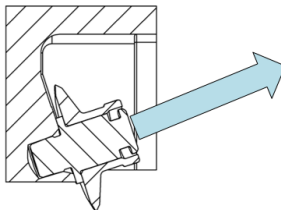


Fig. 3

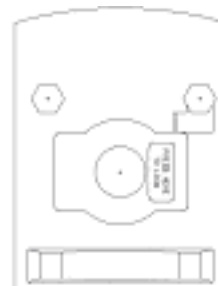


Fig. 4

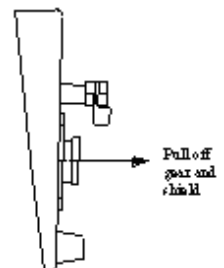


Fig. 5



Edlund Company, 319 Queen City Park Road, Burlington, VT 05401 802-862-9661 www.edlund.com

Reassembly of knife holder, knife, gear and shield.

1. Place the shield over the output shaft in the position shown and press the shield. Press firmly against the front of the opener. (Fig.6)
2. Place the gear over the square output shaft and push the gear against the shaft shoulder. (Fig.6)
3. Lock the shield and the gear in place by pressing where the words "Press here to lock" are located. The shield and the gear are locked when a click is heard. (Fig.6) Check pulling out on the gear locks the gear. If the gear is properly locked in place it will not come off.
4. Reattach the knife by grasping the knife shoulder. Slide the knife over the "O" ring on the knife stud. Twist and push the knife until it is seated against the knife holder. (Fig.7)
5. To reattach the knife holder, place the left slot over the left shoulder screw. Rotate the knife holder clockwise until the right slot slides over the right shoulder screw. (Fig.8)
6. Push the knife holder to the left. (Fig.9)
7. Rotate the knife holder latch counterclockwise until the knife holder is locked in place. (Fig.10)

NOTE: NEVER OPERATE OPENER WITHOUT OPENER SHIELD IN PLACE



Fig. 6

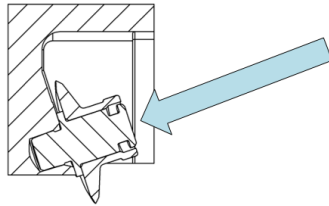


Fig. 7

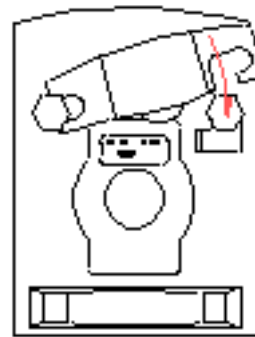


Fig. 8

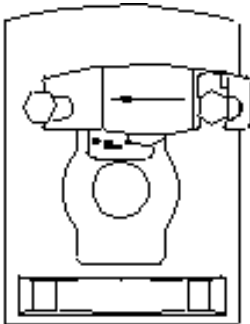


Fig. 9

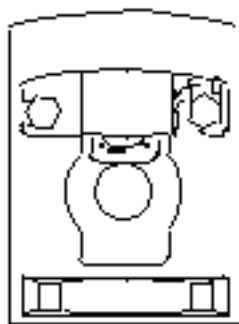


Fig. 10



Edlund Company, 319 Queen City Park Road, Burlington, VT 05401 802-862-9661 www.edlund.com

CAUTION: MAKE SURE THAT THE KNIFEHOLDER IS LATCHED AND THE GEAR IS PROPERLY LOCKED IN PLACE BEFORE OPERATING THE CAN OPENER.

DO NOT OPERATE THE CAN OPENER WITHOUT INSERTING A CAN.

1. The knife should be removed often so that the knife, knife stud and knife holder can be properly cleaned. Remove the knife holder, which contains the knife stud and knife according to the above instructions and clean the knife, knife stud and knife holder. After these parts are clean, the knife stud, which is part of the knife holder, should be examined to make sure that the rubber "O" ring on the knife stud is in place and in good condition. To greatly reduce the chances of the knife sticking, the knife and knife stud should be lubricated with vegetable oil. Replace the knife so that the larger diameter of the knife is toward the front boss of the knife stud. **BE SURE THAT THE KNIFE ROTATES EASILY AFTER IT IS ASSEMBLED ON THE KNIFE STUD.**

BEFORE EACH USE, INSPECT THE EDGE OF THE CAN OPENER KNIFE FOR NICKS OR SIGNS OF WEAR.

2. The factory-made edge of the can opener knife is designed to separate the metal can lid. It will not function properly if allowed to become dull or nicked. If through wear a knife becomes excessively dull, it will be difficult to pierce the can and the knife will no longer separate the lid completely at the end of the cut. Replace the knife when it becomes excessively dull or if nicks occur on the cutting edge.

WARNING: NEVER TRY TO SHARPEN A CAN OPENER KNIFE. IF THE KNIFE EDGE IS MADE TRULY SHARP, IT CAN SHAVE OFF SLIVERS.

3. The teeth of the drive gear must be clean and sharp. Remove and clean the teeth of the drive gear after each use to remove the build-up of food residues. If the drive gear starts to slip on the bead of the can, its teeth may be worn. Replace the gear by using the previous disassembly and assembly instructions.

4. The can opener housing and other external parts are made of stainless steel and can be easily cleaned using a damp cloth.

WARNING: NEVER CLEAN ANY PART OF THE OPENER WITHOUT UNPLUGGING FROM THE ELECTRICAL POWER SOURCE. NEVER SUBMERGE OR PLACE CAN OPENER IN WATER.

5. If for any reason the can opener does not function properly, consult the Troubleshooting Guide for assistance or contact an authorized service agent.



Edlund Company, 319 Queen City Park Road, Burlington, VT 05401 802-862-9661 www.edlund.com

WARRANTY: The Edlund Company warrants these products to be free from defects in material and workmanship for a period of three years from date of purchase. The company's obligation under this warranty is limited to repairing or replacing without charge any part or parts found to be defective under normal use. It is the responsibility of the purchaser to return the entire unit to the factory or a factory service branch, transportation charges prepaid. This warranty does not cover parts that must be replaced under normal use, including knives and drive gears on can openers. The company authorizes no other warranty, written or verbal. Carrier is responsible for merchandise in transit to you.

VI. Trouble Shooting Guide

Problem	Cause	Correction
I. Can opener will not start.	1. Cordset not plugged into outlet.	1. Plug cordset into grounded outlet with same voltage as listed on rating label located on back of opener.
	2. Circuit breaker tripped	2. Reset breaker, if breaker continues to trip replace breaker (B410).
	3. Inoperative actuating switch.	3. Replace switch (S628).
	4. Motor may have failed.	4. Check motor and replace motor/geartrain assembly as necessary with appropriate voltage motor.
	5. Broken wires or loose terminals.	5. Check wiring for continuity and repair or replace as required.
	6. Broken two-speed switch	6. Replace switch (S312), with diode assembly (A586).
	7. Cordset has broken wire.	7. Check for continuity and replace as required.
	8. Blown fuse on cordset (Great Britain - 230 volt motor)	8. Check fuse and replace as necessary.
II. Can opener rejects cans.	1. Clearance between back of knife and front of gear too large (see sketch).	1. With lever in locked down or actuating position, check clearance between back of knife and front of gear using flat feeler gage. Clearance should be 0.017-0.022. Adjust clearance by removing gear adapter (A055) and adding shims (S318) as required.
	2. Motor actuates too soon.	2. Remove housing assembly from base and adjust on position of motor by screwing switch actuator (S049) out or by moving switch assembly until motor starts when knife is at top of gear teeth
	3. Knife not rotating.	3. Remove knifeholder from front of housing. Remove knife and clean knife, knife stud and knife mounting surface. Lubricate knife stud and knife with non-sticking vegetable oil or Vaseline and replace. Knife must rotate freely.

Note: Never operate opener without opener shield in place



Edlund Company, 319 Queen City Park Road, Burlington, VT 05401 802-862-9661 www.edlund.com

III. Drive gear won't turn can.	1. Worn gear (G041).	1. Replace gear.
	2. Clearance between top of gear and bottom of knifeholder not correct.	2. Remove base and adjust clearance between top of gear and bottom of knifeholder to 0.100-0.105 by moving height adjusting screw (A054) up or down to obtain correct clearance. Clearance measured with lever in locked down or actuating position.
	3. Worn knife stud.	3. Check for worn knife stud and replace knifeholder (A288) if stud worn.
	4. Weld broken on rear of frame or on housing bracket located in side housing assembly (A273C).	4. Remove base and check for broken welds. Repair as required.
	5. Output shaft does not rotate.	5. Replace motor/geartrain assembly per appropriate voltage.
	6. Worn can stop on knifeholder.	6. Readjust height using height-adjusting procedure.
IV. Slivers found on can lid or in food product.	1. Factory knife edge nicked or altered.	1. Replace knife (K045) and "O" ring (R090).
	2. Knife doesn't rotate.	2. Check knife and clean and lubricate as required (see II-3).
	3. Sharp edge on knifeholder.	3. Check knifeholder for sharp edge or grooves. Replace or repair as required.
	4. Drive gear is slipping or milling (removing metal from can bead).	4. See Problem III-2.
V. Knife won't sever lid completely.	1. Dull knife (K045).	1. Replace knife and "O" ring (R090). Verify gear to knife spacing.
VI. Shield and drive gear will not lock in place.	1. Shield latch not functioning.	1. Remove knifeholder, gear and shield. Check to make sure latch located through hole in front of housing moves up and down easily and spring is holding latch down. If latch is not moving easily or spring is not functioning, return for service.

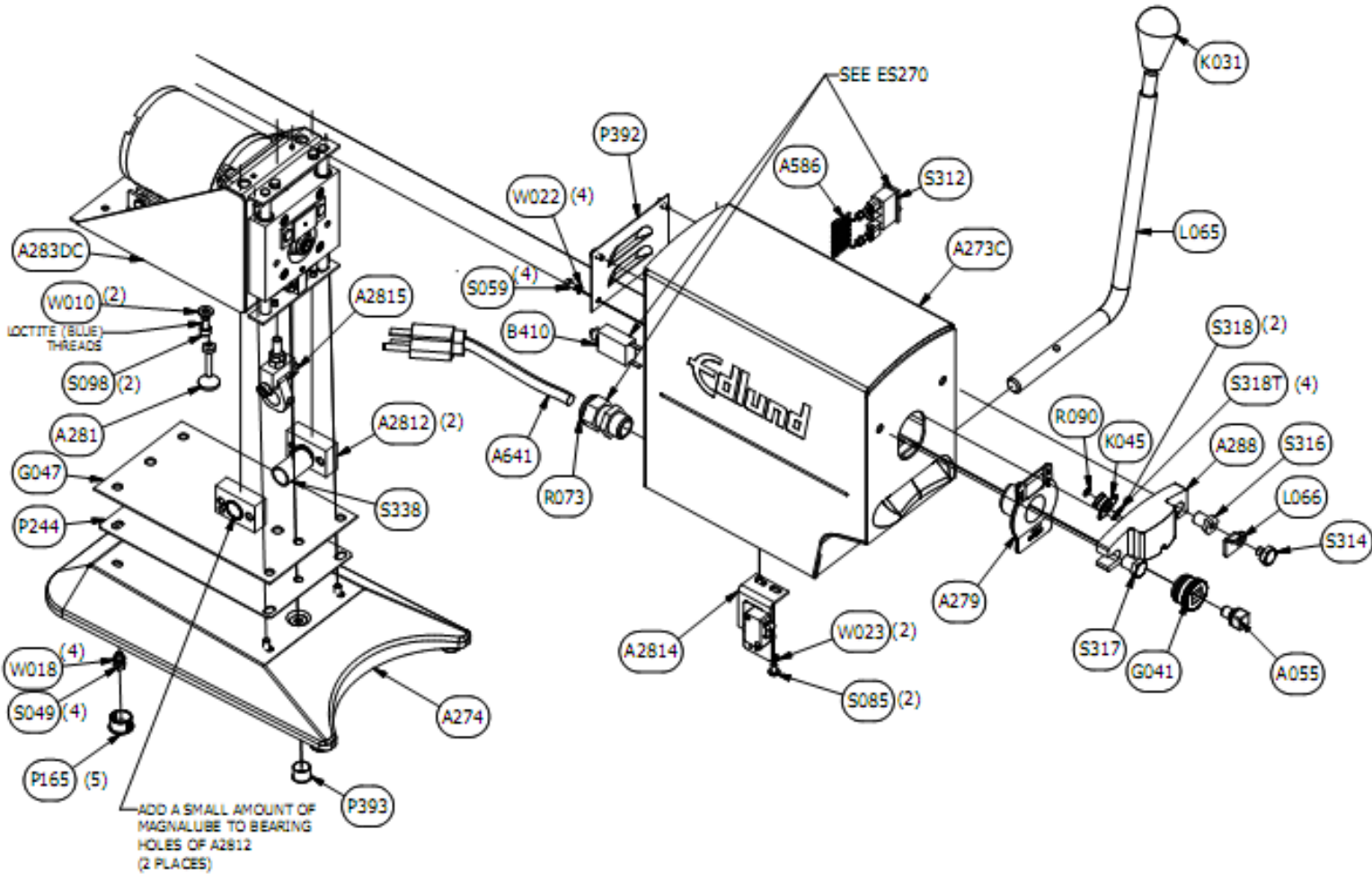
Note: Never operate opener without opener shield in place



Edlund Company, 319 Queen City Park Road, Burlington, VT 05401 802-862-9661 www.edlund.com

A qualified technician should do all internal repairs.

270 Electric Can Opener—Exploded View—(115 V)





Edlund Company, 319 Queen City Park Road, Burlington, VT 05401 802-862-9661 www.edlund.com

270 ASSEMBLY AND PARTS LIST--115V

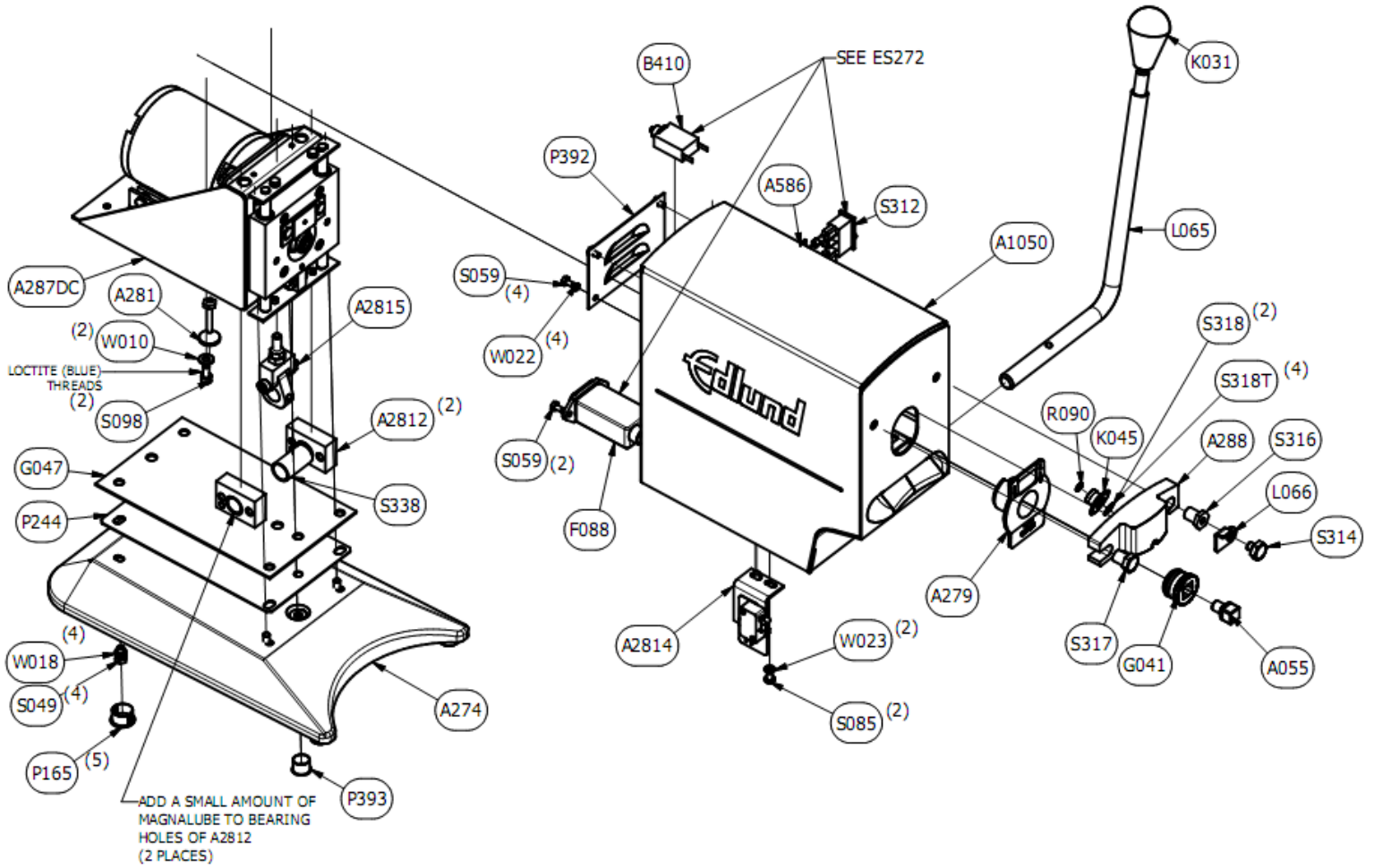
QTY	PART NUMBER	DESCRIPTION
1	A055	ADAPTER, DRIVE GEAR
1	A273C	WELDMENT, HOUSING ASSEMBLY
1	A274	WELDMENT, BASE
1	A279	ASSEMBLY, GEAR SHIELD
1	A281	ASSEMBLY, SWITCH ACTUATOR
2	A2812	ASSEMBLY, LEVER ARM BEARING MOUNT
1	A2814	ASSEMBLY, ROLLER SWITCH
1	A2815	ASSEMBLY, LEVER CAM
1	A283DC	ASSEMBLY, 270 FRAME, MOTOR/GEAR TRAIN, 115V
1	A288	ASSEMBLY, KNIFE HOLDER
1	A586	ASSEMBLY, SPEED CONTROL DIODES
2	A641	ASSEMBLY, CORD W/ CONNECTORS
1	B410	BREAKER, THERMAL, 1.2 A
1	G041	GEAR, CAN DRIVE
1	G047	GASKET, BASE
1	K031	KNOB, LEVER ARM
1	K045	KNIFE
1	L049	LABEL, NSF
1	L065	LEVER, ACTUATOR ARM
1	L066	LATCH, KNIFEHOLDER
1	L073	RATING LABEL, 270, POWER MOTOR, 115V
1	L087	CAUTION LABEL, RED, 270
5	P165	PLUG
1	P244	PLATE, GASKET
1	P392	PLATE, LOUVER COVER
1	P393	PLUG

QTY	PART NUMBER	DESCRIPTION
4	S049	SCREW, #10-32 X 3/8, SS HEX HEAD
4	S059	SCREW, #6-32 X .25, SS HEX HEAD
2	S085	SCREW, #8-32 X 1/4 S/S RHM SLOTTED
2	S098	SCREW, #10-32 X 3/8 SHCS, SS
1	S312	SWITCH, ROCKER--HI/LOW
1	S314	SCREW, KNIFE HOLDER, KH LATCH SHOULDER
1	S316	SCREW, KNIFE HOLDER, RIGHT SHOULDER
1	S317	SCREW, KNIFE HOLDER, LEFT SHOULDER
1	S318	SHIM, SS, 0.005 THK
1	S318T	SHIM, .015 X .335 X.438
1	S338	SPACER, ACTUATOR LEVER
2	W010	WASHER, FLAT, #10 SS
4	W018	WASHER, #10 LOCK, PLATED
4	W022	WASHER, #6 LOCK, SS
2	W023	WASHER, #8 LOCK, SS



Edlund Company, 319 Queen City Park Road, Burlington, VT 05401 802-862-9661 www.edlund.com

270 Electric Can Opener—Exploded View—(230 V)





Edlund Company, 319 Queen City Park Road, Burlington, VT 05401 802-862-9661 www.edlund.com

270 ASSEMBLY AND PARTS LIST --230V

QTY	PART NUMBER	DESCRIPTION
1	A055	ADAPTER, DRIVE GEAR
1	A273C	WELDMENT, HOUSING ASSEMBLY
1	A274	WELDMENT, BASE
1	A279	ASSEMBLY, GEAR SHIELD
1	A281	ASSEMBLY, SWITCH ACTUATOR
2	A2812	ASSEMBLY, LEVER ARM BEARING MOUNT
1	A2814	ASSEMBLY, ROLLER SWITCH
1	A2815	ASSEMBLY, LEVER CAM
1	A287DC	ASSEMBLY, 270 FRAME, MOTOR/GEAR TRAIN, 230V
1	A288	ASSEMBLY, KNIFE HOLDER
1	A586	ASSEMBLY, SPEED CONTROL DIODES
2	A641	ASSEMBLY, CORD W/ CONNECTORS
1	B410	BREAKER, THERMAL, 1.2 A
1	G041	GEAR, CAN DRIVE
1	G047	GASKET, BASE
1	K031	KNOB, LEVER ARM
1	K045	KNIFE
1	L049	LABEL, NSF
1	L065	LEVER, ACTUATOR ARM
1	L066	LATCH, KNIFEHOLDER
1	L073	RATING LABEL, 270, POWER MOTOR, 115V
1	L087	CAUTION LABEL, RED, 270
5	P165	PLUG
1	P244	PLATE, GASKET
1	P392	PLATE, LOUVER COVER
1	P393	PLUG
1	R073	CORDGRIP, STRAIGHT THRU, LTF 11
1	R090	RING, O, KNIFE STUD

QTY	PART NUMBER	DESCRIPTION
4	S049	SCREW, #10-32 X 3/8, SS HEX HEAD
4	S059	SCREW, #6-32 X .25 HEX HEAD, SS
2	S085	SCREW, #8-32 X 1/4 S/S RHM SLOTTED
2	S098	SCREW, #10-32 X 3/8 SHCS, SS
1	S312	SWITCH, ROCKER--HI/LOW
1	S314	SCREW, KNIFE HOLDER, RH LATCH SHOULDER
1	S316	SCREW, KNIFE HOLDER, RIGHT SHOULDER
1	S317	SCREW, KNIFE HOLDER, LEFT SHOULDER
1	S318	SHIM, SS, 0.005 THK
1	S318T	SHIM, .015 X .335 X.438
1	S338	SPACER, ACTUATOR LEVER
2	W010	WASHER, FLAT, #10 SS
4	W018	WASHER, #10 LOCK, PLATED
4	W022	WASHER, #6 LOCK, SS
2	W023	WASHER, #8 LOCK, SS



Edlund Company, 319 Queen City Park Road, Burlington, VT 05401 802-862-9661 www.edlund.com

REPLACEMENT PARTS

PART NUMBER	DESCRIPTION
A279	SHIELD
A288	KNIFEHOLDER
F059	FOOT PADS
G041	DRIVE GEAR
K031	KNOB
K045	KNIFE
R090	“O” RING
S318	SHIM

