



LOW TEMPERATURE UNDERCOUNTER DISHWASHER / GLASSWASHER

L-1Xe



CMA MODEL:L-1Xe



48" Undercounter dishtable
with Pre-Rinse



Universal Pedestal



Low Chemical Alarm

FEATURES

- 40 racks / 160 covers per hour.
- **Economical to operate. Uses only 0.84 gallons of water per cycle.**
- All stainless steel construction assures long life and years of trouble free operation.
- 12-1/4" door opening.
- Unique spray arm system features upper and lower stainless steel wash arms with reinforced end caps.
- Built-in chemical pumps and delimiting system assures proper chemical usage.
- Convenient to service "Work-in-a-drawer". All electrical components are attached to a sliding drawer for easy access and service.
- Pumped drain allows for flexible installation. Requires no floor drain.
- Pump purging system improves results by eliminating soil and chemical carryover during rinse cycle.
- Stainless steel pump impeller. Offers extended life and service.
- Built-in strainer in water inlet system to prevent water valve from clogging.
- Two dishracks included.
- Built-in prime switches.
- Built-in instant start.
- Door safety switch makes operation safe.
- Sustainer Heater

AVAILABLE OPTIONS

- The "TEMP-SURE" requires a separate 240v 3 phase 40 amp power supply
- 6" Stainless Steel Legs
- 4" Stainless Steel Legs
- Alternative electrical available for export

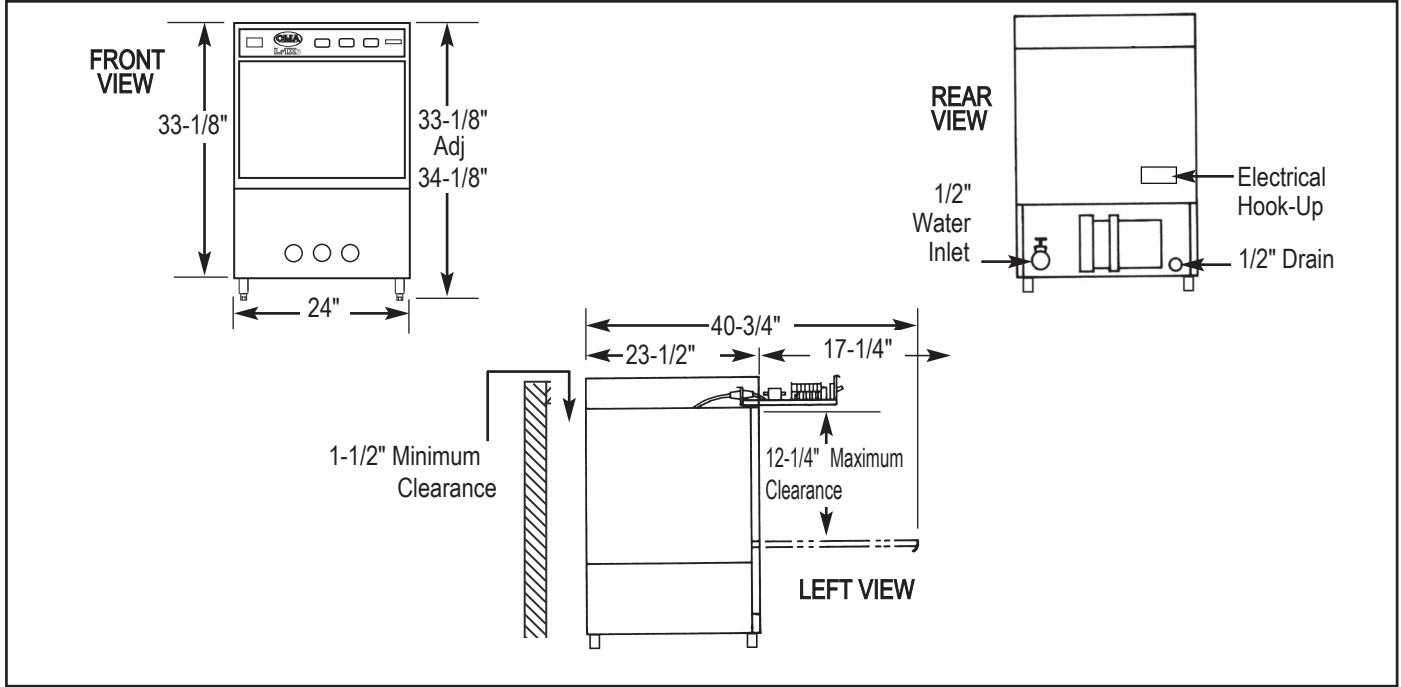




L-1Xe
Chemical Sanitizing
Undercounter
Dishwasher / Glasswasher

WARNINGS:

- Electrical and Plumbing connections must be made by a qualified service company who will comply with all available Federal, State, and Local Health, Electrical, Plumbing and Safety codes.
- CMA recommends utilizing a water softening system to maintain water hardness measurements of 3.5 gpg (grains per gallon) or less. This will assure maximum results and optimum operation of the dishmachine.



Specifications:

UNDERCOUNTER DISHWASHER	L-1Xe	METRIC	USA	METRIC
OPERATING CAPACITY				
RACKS PER HOUR (NSF RATED)	40	40		
OPERATING CYCLE				
WASH TIME-SEC	46	46		
RINSE TIME-SEC	29	29		
DWELL/PURGE-SEC	15	15		
TOTAL CYCLE TIME	90	90		
WASH TANK CAPACITY	1.19 GAL.	(4.50 L)		
WASH PUMP CAPACITY	52 GPM	(196.8 LPM)		
OPERATING TEMPERATURE				
REQUIRED	120°F	(49°C)		
RECOMMENDED	140°F	(60°C)		
WATER CONSUMPTION				
PER RACK	0.84 GAL.	(3.18 L)		
PER HOUR	47.6 GAL.	(180 L)		
WATER INLET	1/2"	(1.27 cm)		
DRAIN	1/2"	(1.27 cm)		
WASH PUMP MOTORS HP			1	1
DIMENSIONS				
DEPTH			23-1/2"	(59cm)
WIDTH			24"	(61cm)
HEIGHT			33-1/8-34-1/8"	(84.7-87.3cm)
MAXIMUM CLEARANCE HEIGHT FOR WARES			12-1/4"	(31cm)
STANDARD DISHRACK			1	1
DIMENSIONS			20" x 20"	(50.8 x 50.8cm)
ELECTRICAL RATING			VOLTS	AMPS
			115	16
APPROXIMATE SHIPPING WEIGHT			190#	(86.2kg)
SHIPPING DIMENSIONS			PALLET & BOX @ 29" X 28" X 40"	

Summary Specifications: Model L-1Xe CMA Energy Miser low temperature undercounter chemical sanitizing commercial dishwashers meets UL and CUL sanitation and construction standards WITHOUT the use of BOOSTER HEATERS. The model L-1Xe is constructed entirely of stainless steel. Each unit automatically washes, rinses and sanitizes food service utensils in standard 19-3/4"X19-3/4" racks. Units comes standard with upper and lower stainless steel wash arms. The L-1Xe incorporates a pump purging system that improves results by eliminating soil and chemical carryover during rinse cycle.

Advisory: CMA does NOT endorse "Tankless On-Demand" water heaters for use on CMA Dishmachine products. CMA DOES endorse, and highly recommends, the standard "tank" style water heaters, sized properly to handle each particular facility with its water heating requirements.



CMA Dishmachines 17707 Valley View Ave; Cerritos, CA 90703 • 800-854-6417 • 714-898-8781 • Fax: 714-895-2141 • www.cmadishmachines.com CMA reserves the right to modify specifications or discontinue models without prior notification.

© 09-2024 CMA, Inc.

