



# Price computing scale

## LPC SERIES



Model:

LPC 40 L

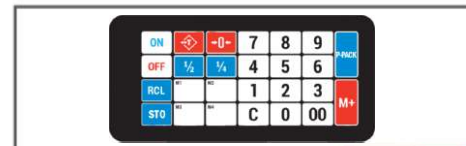
### Product features

- ✓ Available in 40 lb capacity
- ✓ Stainless Steel case and plate
- ✓ Large LCD display with backlight
- ✓ Cash register functions
- ✓ 100 hours duration rechargeable battery
- ✓ Easy-touch technology
- ✓ Easy-to-clean
- ✓ PC communication capabilities
- ✓ Great for butcher shops, delis, and markets
- ✓ Adjustable leveling feet

### Product highlights



Robust stainless steel construction



New easy-touch keyboard



Large solid plate

### Certifications



### Warranty

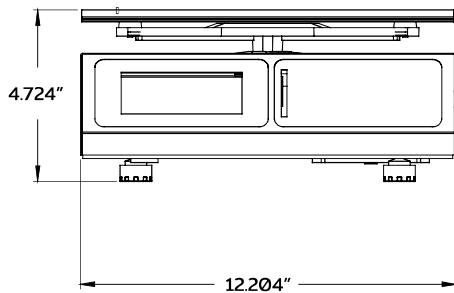




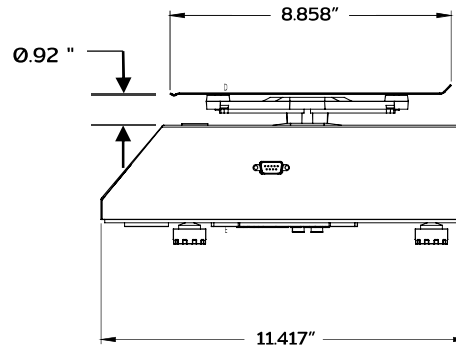
# Price computing scale

## LPC SERIES

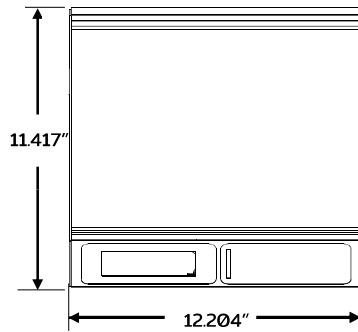
### Dimensions



Front view



Side view



Top View

### Technical specifications

#### Dimensions

<b>External dimensions</b>	W: 12.204" D: 11.417" H: 4.724"
<b>Packaging dimensions</b>	W: 15.748" D: 15.748" H: 5.905"
<b>Gross weight</b>	15.432 lb.
<b>Net weight</b>	6.15 lb.
<b>Plate dimensions</b>	W: 12.204" D: 8.858" H: 0.363"

#### Construction

<b>Cabinet material</b>	Food grade stainless steel
<b>Plate material</b>	Food grade stainless steel
<b>Plate holder material</b>	Aluminum
<b>Levelling feet</b>	4

#### Logistic data

<b>Units per pallet</b>	99
<b>Dim. per pallet</b>	48.03" X 48.03" X 72.83"
<b>Storage temperature</b>	-4°F to 122°F (-20°C to 50°C)

#### Electrical data

<b>Power supply</b>	110/220VAC - 6VDC 500mA
<b>Plug type</b>	NEMA-1-15P
<b>Cord of length</b>	47.24"
<b>Battery</b>	4VDC 2.5A/h
<b>Lighting</b>	LED

#### Performance data

<b>Capacity</b>	40 lb
<b>Minimal division</b>	0.01 lb
<b>Maximum tare</b>	40 lb
<b>Operation temperature</b>	14°F to 104°F (-10°C to 40°C)

#### Additional data

<b>Communication</b>	RS232
<b>Maximum price</b>	\$999.99
<b>Maximum total</b>	\$9999.99
<b>Memory</b>	100 PLU