



**"WE MAKE THE KITCHEN BETTER!"**

Toll Free: 855-855-0399 Email: info@atosausa.com  
www.atosa.com | www.atosausa.com  
California, Colorado, Florida, Georgia, Illinois,  
New Jersey, Ohio, Texas, Washington

# Undercounter Freezers

## Standard Features:

- Stainless steel exterior & interior with reinforced stainless steel top
- Environmentally friendly R290 refrigerant
- Dixell digital controller
- Maintains temperatures between -8°F – 0°F
- Recessed door handle(s)
- Self-closing door(s) with stay open feature
- Magnetic door gasket(s) standard for positive door seal
- Pre-installed casters
- One(1) pre-installed shelf per section

## Optional Accessories

- Extra Shelves – Includes 4 shelf clips per shelf
- MGF8405GR(L) shelf part #: W0402568
- MGF36FGR shelf part #: W0402713
- MGF8406GR shelf part #: W0402171
- MGF8407GR shelf part #: W0402569

For the best results of food preservation we recommend setting your freezer between 0°F - 8 °F

1. Don't forget to leave the unit some room to breathe!
2. Please clean the condenser frequently to give the unit more fresh air.



2 YEAR PARTS AND LABOR WARRANTY (US ONLY)  
5 YEAR COMPRESSOR PART WARRANTY (US ONLY)

## MODELS:

MGF8405GR(L) / MGF8406GR  
MGF36FGR / MGF8407GR



**MGF8405GR (L)**



**MGF36FGR**



**MGF8406GR**



**MGF8407GR**





**"WE MAKE THE KITCHEN BETTER!"**

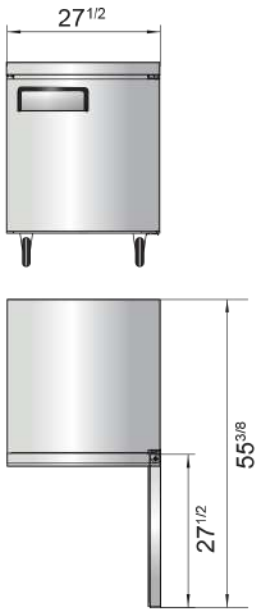
Toll Free: 855-855-0399 Email: info@atosausa.com  
 www.atosa.com | www.atosausa.com  
 California, Colorado, Florida, Georgia, Illinois,  
 New Jersey, Ohio, Texas, Washington

**SPECIFICATIONS**

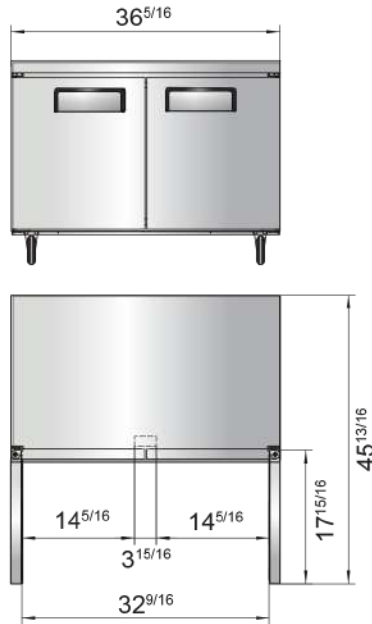
Model	Doors	Capacity Cu. Ft	Shelves	Casters (inch)	Amps (A)	Voltage (V/Hz/Ph)	HP	Refrigerant	Exterior Dimension (inch)	Net Weight (lbs)	Gross Weight (lbs)
MGF8405GR(L)	1	7.2	1	2	1.8	115/60/1	1/5	R290	27 <sup>1/2</sup> × 30 × 34 <sup>1/10</sup>	146	179
MGF36FGR	2	8.7	2	2	2.6	115/60/1	1/4	R290	36 <sup>3/8</sup> × 30 × 34 <sup>1/10</sup>	172	222
MGF8406GR	2	13.4	2	2	2.6	115/60/1	1/4	R290	48 <sup>1/5</sup> × 30 × 34 <sup>1/10</sup>	203	245
MGF8407GR	2	17.2	2	2	2.6	115/60/1	1/4	R290	60 <sup>1/5</sup> × 30 × 34 <sup>1/10</sup>	229	276

**PLAN VIEW**

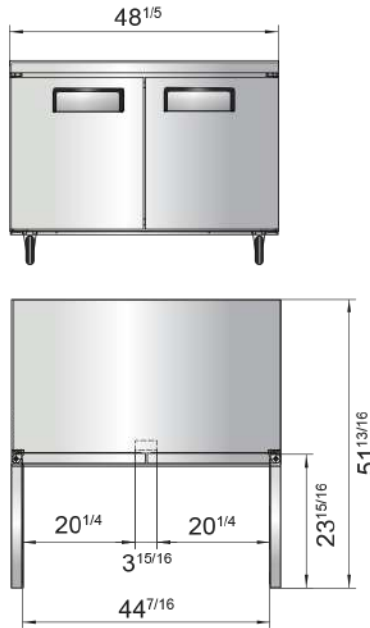
**MGF8405GR (L)**



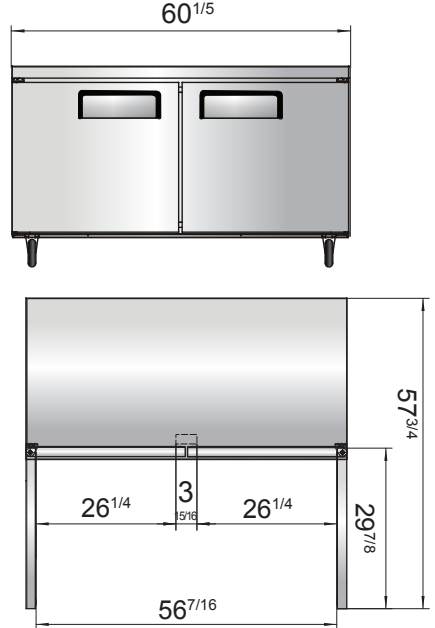
**MGF36FGR**



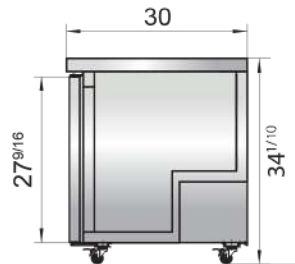
**MGF8406GR**



**MGF8407GR**



**SIDE VIEW**



**Casters**

**Epoxy Shelves**

**Rear Grate**

**Temperature Control**

