



P8509 CHOCOLATE PUMP

NSF

SPECIFICATIONS, ADJUSTMENT & CLEANING

CARE AND CLEANING GUIDE



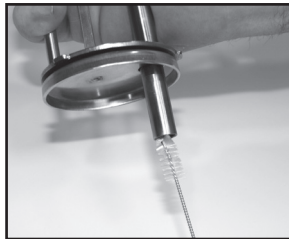
1. Remove pump from food container and pump out and dispose food product remaining in pump.



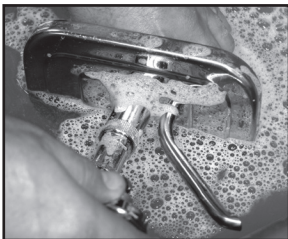
2. Wash outside of pump and immerse in wash water while pumping to clear any remaining food product.



3. Remove bottom cap by twisting cap counter clockwise.



4. Use supplied brush to clean pump tube.



5. Wash and sanitize pump and components. Make sure to pump detergent and sanitizer through pump.



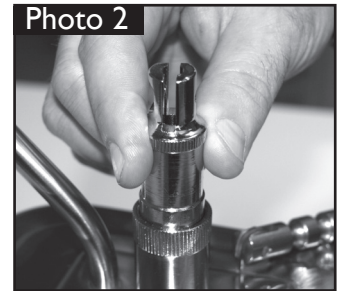
6. Reassemble pump cap to pump and allow to air dry.

PUMP ADJUSTMENT

The P8509 pump is adjustable up to 1/2 oz. portions



(Photo 1) Unscrew set screw and remove lever.



(Photo 2) Turn stem counter clockwise for a larger portion and clockwise for a smaller portion. Replace lever and set screw. Test the pump with the condiment to be dispensed and make additional adjustments if necessary.

CUSTOMIZING THE KNOB



The knob on the P8509 Chocolate Pump can be customized with any manner of wording or colored inserts. Simply unscrew the knob and either label the blank paper insert or replace with an insert of your choosing.



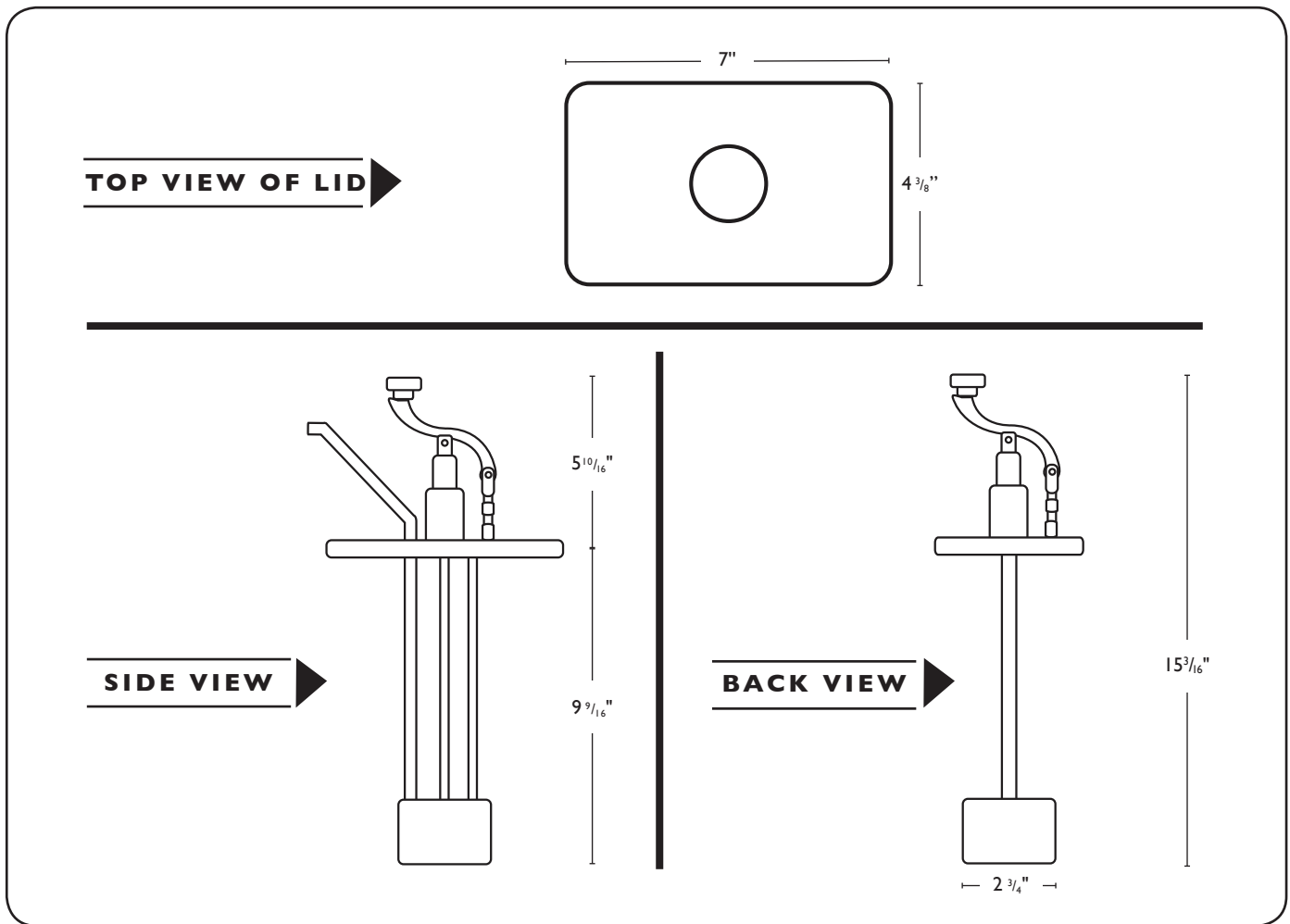
P8509 CHOCOLATE PUMP



SPECIFICATIONS, ADJUSTMENT & CLEANING

SPECIFICATIONS

The P8509 Chocolate Pump is designed to pump a variety of syrups and sauces. All components in contact with food are stainless steel. The cover, knob and sleeve above the cover are chrome-plated. The pump is designed to fit into most standard topping and condiment rails with 3-1/2 quart jars with rectangular tops.



San Jamar
555 Koopman Lane
Elkhorn, Wisconsin 53121
USA
T: +1.262.723.6133
F: +1.262.723.4204
info@sanjamar.com
www.sanjamar.com

Canada
15252 32nd Avenue
Suite 309
Surrey, BC V3S 0R7
CANADA
T: +1.262.723.6133
F: +1.262.723.4204
canada@sanjamar.com

Europe
Schoorstraat 26a, bus 1
2220 Heist op-den Berg
BELGIUM
T: +32 15 22 81 40
F: +32 15 22 81 48
emea@sanjamar.com

México
Av. Paseo de la Reforma No. 350 - 10
Col. Juárez
Deleg. Cuauhtemoc, CP 06600
MEXICO, D.F.
T: +52 (55) 3626 0772
mexico@sanjamar.com

