



Project Name _____

Item # _____

Enhanced Equipment
2610 E. Woodward Ave. Fresno, Ca. 93721
Email: customerservice@enhancedequipment.com
Phone (720) 309-1902

Hot Food Tables (Electric)

Specifications

- TBH11-2 2 top openings
- TBH11-3/TBH23-3 3 top openings
- TBH12-4/TBH24-4 4 top openings
- TBH25-5 5 top openings

TOP:

20 gauge, stainless steel
Die-stamped openings - 12" x 20"
Poly carving board - 7"W x 1/2" thick with 18 gauge stainless steel support shelf and die-stamped brackets

HEAT COMPARTMENTS:

Each with die-formed 8" deep galvanized liner
Insulated with 1" thick fiberglass or equal, all four sides and bottom
Single phase standard

BODY AND INTERIOR SHELF:

20 gauge, 430 Series stainless steel body
20 gauge, 430 Series stainless steel undershelf
430 Series stainless steel tubular legs with adjustable plastic feet

ELECTRICAL INFORMATION:

500 or 750 watt dome-type element for each compartment

Wired to operate on 120, 208 or 240 Volt
Single or Three phase

AC current

Each section with infinite switch

Permanently wired, 6' long cord and plug provided



TBH11-3



Certification: ETL Saination (NSF)

ENHANCED
REFRIGERATION

2610 E. Woodward Ave. Fresno, Ca. 93721
Email: customerservice@enhancedequipment.com
Phone (720) 309-1902



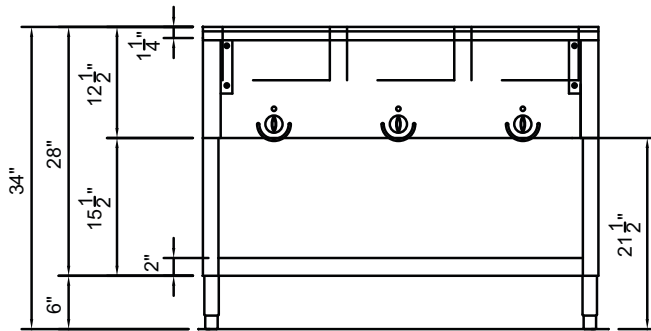
Project Name _____

Item # _____

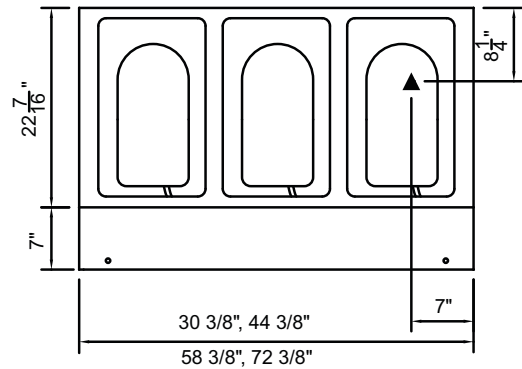
Enhanced Equipment
 2610 E. Woodward Ave. Fresno, Ca. 93721
 Email: customerservice@enhancedequipment.com
 Phone (720) 309-1902

Hot Food Tables (Electric)

FRONT VIEW



TOP VIEW



DIMENSIONS:

FREIGHT CLASS: 85

Model	Length		Width		Height		Top Openings	Cube ft. Crated	Weight	
	in	cm	in	cm	in	cm			lbs	kg
TBH11-2	30 3/8	77.2	22 7/16	57.1	34	86.4	2	23.4	81/90	36.8/40.9
TBH11-3/TBH23-3	44 3/8	112.8	22 7/16	57.1	34	86.4	3	32.5	107/114	48.6/51.8
TBH12-4/TBH24-4	58 3/8	148.3	22 7/16	57.1	34	86.4	4	41.5	138/144	62.7/65.5
TBH25-5	72 3/8	183.9	22 7/16	57.1	34	86.4	5	50.5	165/172	75.0/78.2

ELECTRICAL SPECIFICATIONS:

Model	120 Volt - 500 watt elements			208 Volt - 750 watt elements			240 Volt - 750 watt elements		
	Watts	Amps	NEMA	Watts	Amps	NEMA	Watts	Amps	NEMA
TBH11-2	1000	8.3	5-15	1500	7.2	6-20	1500	6.3	6-20
TBH11-3/TBH23-3	1500	12.5	5-15	2250	10.8	6-20	2250	9.4	6-20
TBH12-4/TBH24-4	2000	16.7	L5-30	3000	14.4	6-20	3000	12.5	6-20
TBH25-5/TBH35-5	2500	20.8	L5-30	3750	18.0	L6-30	3750	15.6	6-20



ENHANCED
REFRIGERATION

2610 E. Woodward Ave. Fresno, Ca. 93721
 Email: customerservice@enhancedequipment.com
 Phone (720) 309-1902

Warranty:
 1 Year parts and labor