



WPG150

Compact Italian-Style Panini Grill



Compact Italian-Style Panini Grill



MAIN FEATURES

- Ribbed cast-iron plates for even heat distribution and quick cooking time
- 9.75" x 9.25" cooking surface, great for grilled panini sandwiches, hamburgers, chicken, vegetables and more
- Brushed stainless steel body construction and removable drip tray
- Hinged, auto-balancing top plate to suit foods up to 3" thick
- Adjustable thermostat to 570°F
- Power ON and READY indicator lights
- Heat-resistant handles, no need for mitts or potholders
- Heavy-duty grill brush included (CAC105)
- Limited One Year Warranty

ELECTRICAL

Voltage: 120

Frequency: 60Hz

Watts: 1800

Amps: 15

Plug Type: NEMA 5-15P 

Cord Length: 5 feet



SALES FEATURES

Make perfectly grilled panini sandwiches and more with the 120V Waring® WPG150 Compact Italian-Style Panini Grill. Grooved cast-iron plates heat evenly and quickly cook sandwiches, burgers, chicken, and vegetables up to 3" thick. Its brushed stainless steel body and removable drip tray are easy to clean. Includes adjustable thermostat to 570°F along with POWER and READY indicator lights.



@waringproducts

©2025 Waring

314 Ella T. Grasso Avenue, Torrington, CT 06790

Tel. 800-492-7464 • Fax 860-496-9008

waring.com

WPG150



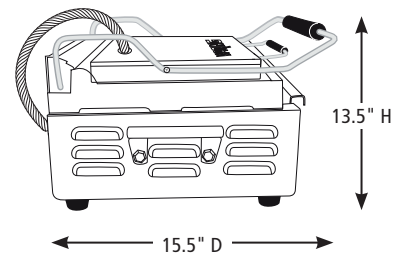
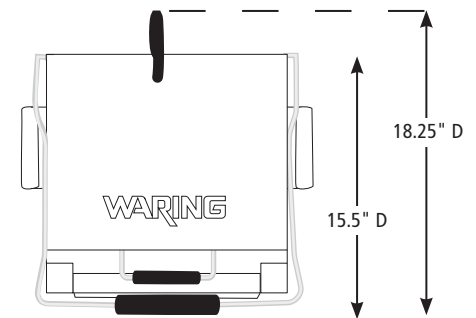
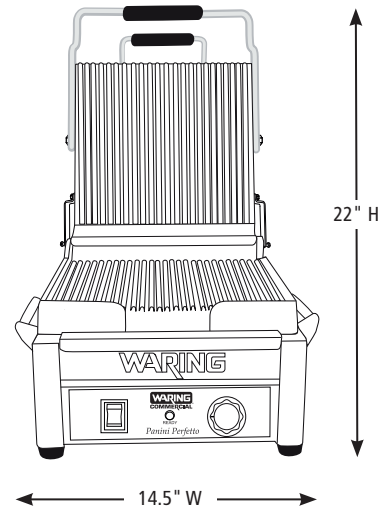
Compact Italian-Style Panini Grill WPG150

PARTS & ACCESSORIES



CAC105 Cleaning Brush

DIMENSIONS



Out of Box Weight: 47 lb.

ORDERING INFORMATION	#STD. PKG.	GIFTBOX WEIGHT	CUBIC FEET	BOX DIMENSIONS D X W X H	UPC	CASE PKG.	MC WEIGHT	MC DIMENSIONS D X W X H	MBC
WPG150 – Compact Italian-Style Panini Grill	1	48 lb.	2.3	19" x 15.5" x 13.75"	040072006135	1	50 lb.	20" x 16.375" x 14.5"	10040072006132



@waringproducts

©2025 Waring
314 Ella T. Grasso Avenue, Torrington, CT 06790
Tel. 800-492-7464 • Fax 860-496-9008

waring.com

25WC95878 / REV 08/25